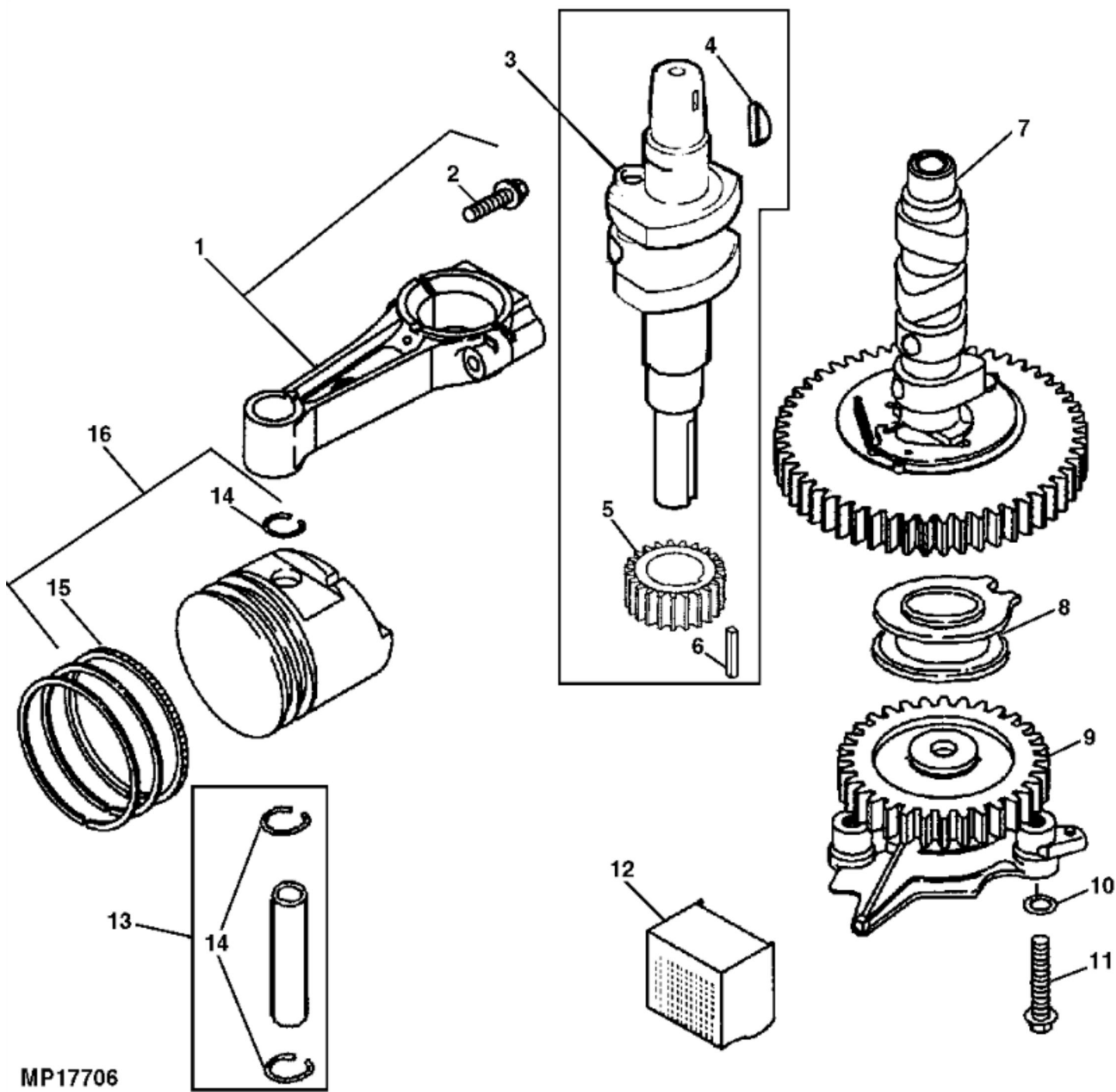


MP20866

John Deere > Turf And Utility >TRACTOR, LAWN AND GARDEN >SABRE - TRACTOR, LAWN AND GARDEN >SABRE 1846HV and 1846HMS Lawn Tractor >20 ENGINE (18 HP - HV) >ST644012 - CYLINDER BLOCK AND DIPSTICK

KEY	PART NO.	PART NAME	QTY	REMARKS
1	LG692545	CYLINDER BLOCK	1	
2	LG808534	BUSHING	1	(W/SEAL)
3	LG805101	SEAL	1	
4	M145399	SLEEVE	1	DOWEL, (SUB FOR LG690684)
5	LG805059	DRAIN PLUG	1	NLA; Oil (Cylinder Block)
6	15H623	PIPE PLUG	3	3/8", (A) OIL (PAN) (SUB FOR LG805048 OR LG690946)
7	AM125424	OIL FILTER	1	(SUB FOR LG492932S)
8	LG808235	ADAPTER FITTING	1	
9	LG690706	LOCK WASHER	1	
10	LG690682	STUD	1	
11	LG690679	CAP SCREW	1	
12	LG692063	GASKET	1	
13	LG807688	GASKET	1	BREATHER
14	LG692095	BREATHER	1	
15	LG690751	SCREW	1	
16	MIU11524	SCREW	1	(SUB FOR LG692540)
17	19M7897	SCREW	4	M8 X 35
18	LG806083S	STRUCTURAL TUBE	1	BREATHER
19	LG690686	PLATE	1	BREATHER
20	LG805417	COTTER PIN	1	
20	LG691550	RETAINER	1	(A)
21	LG690680	SEAL	1	(A) GOVERNOR
22	LG690701	BUSHING	1	(A) GOVERNOR
23	LG690702	BUSHING	1	GOVERNOR
23	M144914	BUSHING	1	
24	LG690899	CRANK	1	GOVERNOR
24	AM131177	CRANK	1	(A) (USE WITH MIA11613) (INCLUDES M144914)
25	14M7298	FLANGE NUT	4	M8
26	LG805049S	SEAL	2	(A) (SUB FOR LG805049)
27	LG690704	WASHER	1	(A)
28	MIU12287	GASKET	1	NLA; ORDER MIU11265; SUB FOR LG691684; Crankcase
28	MIU11265	GASKET	1	NLA; ORDER MIU13345
28	MIU13345	GASKET	1	NLA; ORDER MIU14235
28	MIU14235	GASKET	1	

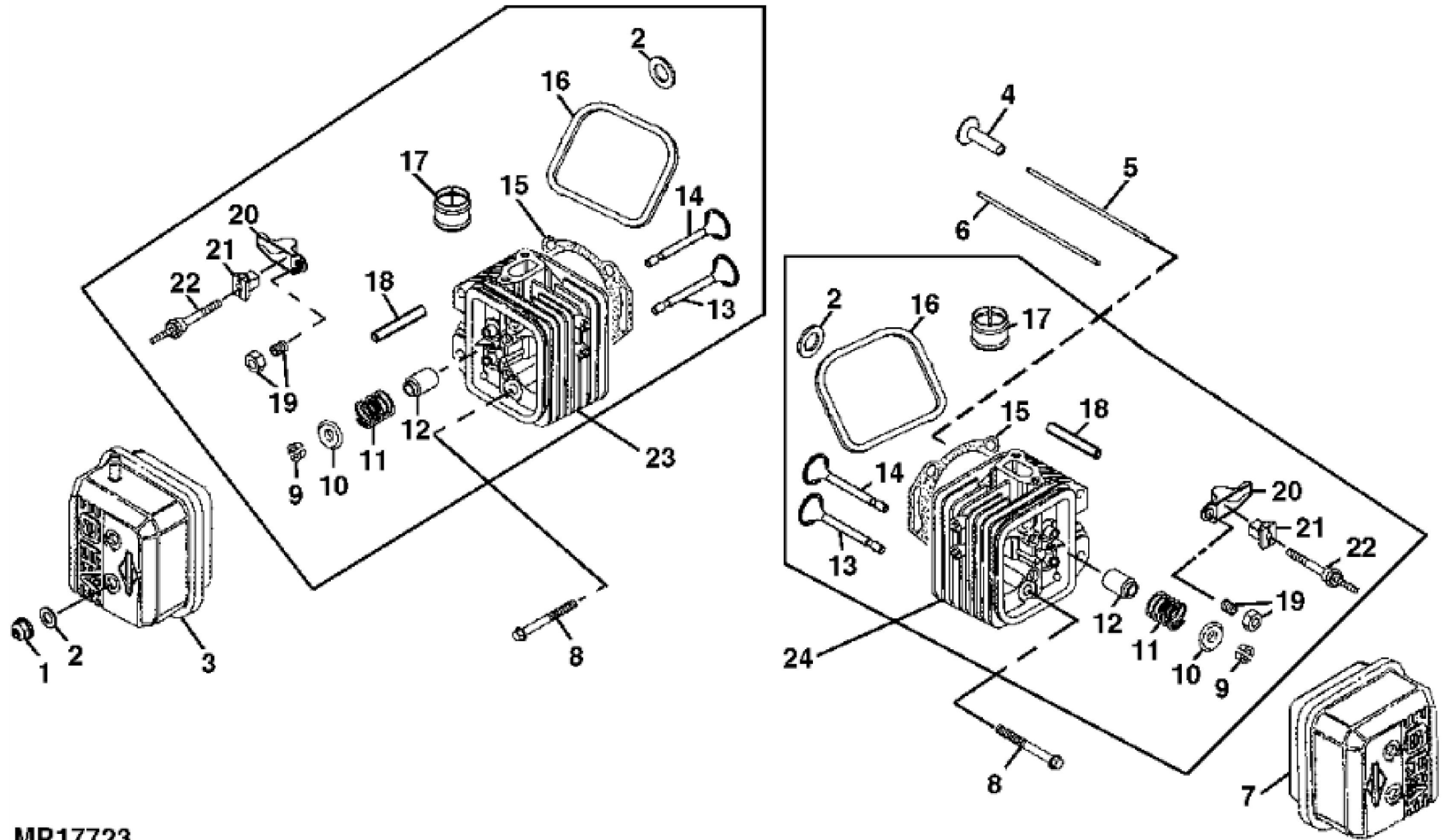
KEY	PART NO.	PART NAME	QTY	REMARKS
29	LG692154	SEAL	1	(A)
30	LG808504	RESERVOIR	1	ENGINE SUMP
30	MIA11613	CRANKCASE	1	(INCLUDES PARTS MARKED (A)) (ALSO INCLUDES (2) LG690681 AND 19M7077 AND (2) 19M7299)
31	M132015	THREADED NIPPLE	1	
32	M126875	CAP	1	OIL DRAIN
33	LG692053	SEAL	1	
34	LG691870	SEAL	1	
35	LG692093	STRUCTURAL TUBE	1	OIL FILL
36	M147829	SCREW	1	(SUB FOR LG692537)
37	LG807516	DIPSTICK	1	
38	PMK010-0812	BULK HOSE	AR	
39	AM119686	DRAIN VALVE	1	
40	LG491657S	PRESSURE SWITCH	1	OIL
..	LG808036	LABEL KIT	1	NLA
..	AM128536	GASOLINE ENGINE	1	(COMPLETE)



MP17706

CRANKSHAFT AND PISTON

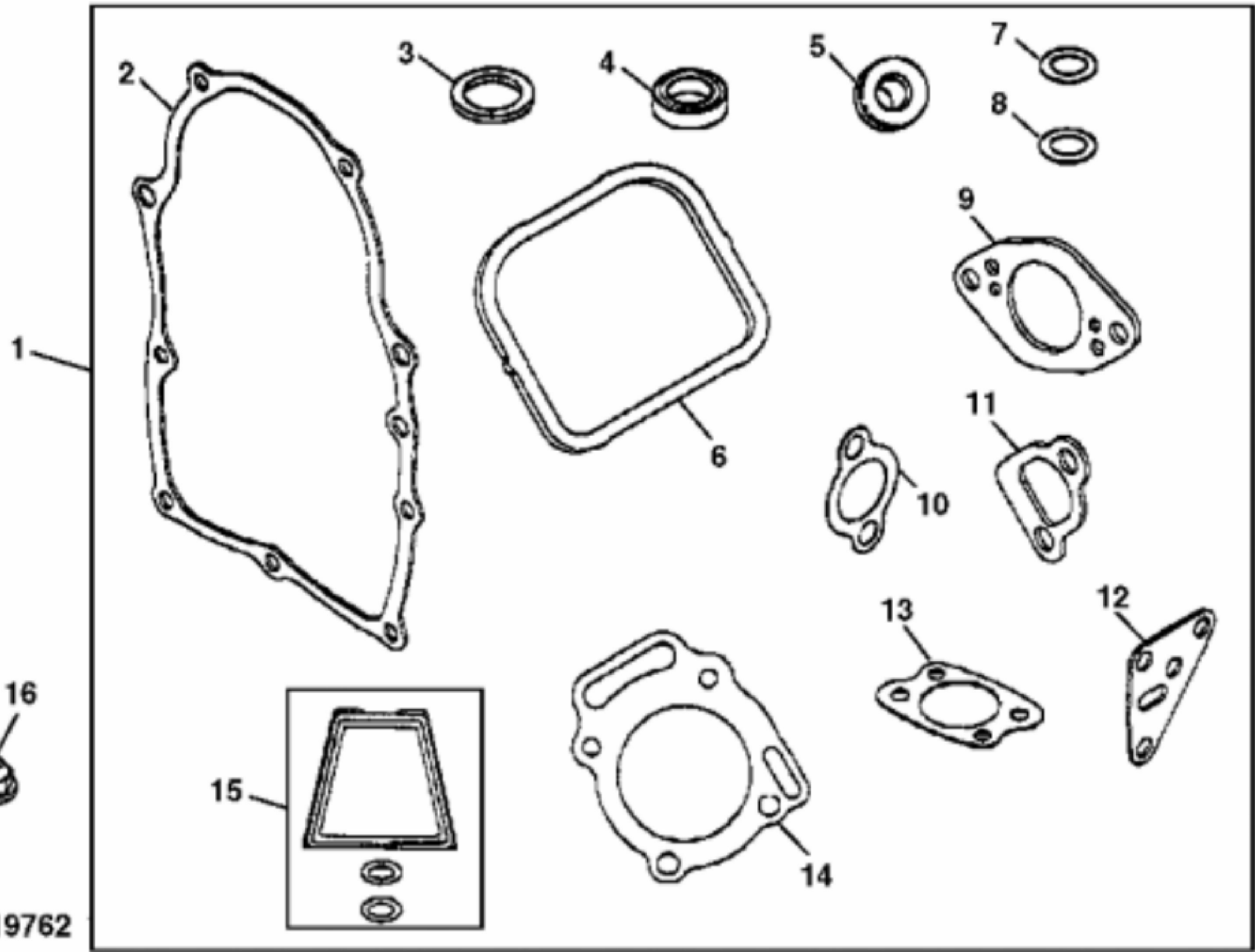
KEY	PART NO.	PART NAME	QTY	REMARKS
1	LG807900S	CONNECTING ROD	2	STD, (SUB FOR LG807900)
1	LG807803	CONNECTING ROD	2	.50MM (.020") US, (NLA)
2	LG690698	SCREW	4	(SUB FOR LG805395)
3	MIU11092	CRANKSHAFT	1	(COMPLETE) (SUB FOR LG692172)
4	M145150	SHAFT KEY	1	(SUB FOR LG806066)
5	LG691530	GEAR	1	TIMING, (SUB FOR LG805984)
6	LG691639	KEY	1	TIMING GEAR, (SUB FOR LG94196)
7	LG691557	GEAR	1	CAM, (SUB FOR LG807542)
8	LG690689	SPOOL	1	GOVERNOR, (SUB FOR LG805313)
9	LG693186	OIL PUMP	1	(SUB FOR LG807546) (ORDER MIA11613)
10	LG690681	SEAL	2	(SUB FOR LG805058)
11	LG691492	CAP SCREW	2	(SUB FOR LG805057)
12	LG690878	SCREEN	1	OIL PUMP, (SUB FOR LG805964)
13	LG807886	PISTON PIN	2	
14	LG805099	LOCK	4	PISTON PIN (NLA)
14	LG690975	LOCK	4	PISTON PIN
15	LG807889	PISTON RING KIT	2	STD, (SUB (2) MIU12116)
15	MIU12116	PISTON RING KIT	2	
15	MIU12117	PISTON RING KIT	2	.50MM (.020") OS, (SUB FOR (2) LG807995)
16	MIA11406	PISTON	2	STANDARD, (SUB FOR (2) LG808326)
16	MIA11407	PISTON	2	.50MM (.020") OS, (SUB FOR (2) LG808337)



MP17723

John Deere > Turf And Utility >TRACTOR, LAWN AND GARDEN >SABRE - TRACTOR, LAWN AND GARDEN >SABRE 1846HV and 1846HMS Lawn Tractor >20 ENGINE (18 HP - HV) >ST644014 - CYLINDER HEAD

KEY	PART NO.	PART NAME	QTY	REMARKS
1	LG692055	LOCK NUT	4	
2	LG691766	WASHER	4	
3	LG691558	COVER	1	
4	LG690977	TAPPET	4	VALVE
5	LG691836	PUSH ROD	2	INTAKE (STEEL)
6	LG691758	PUSH ROD	2	EXHAUST (ALUMINUM)
7	LG691494	COVER	1	
8	LG692059	CAP SCREW	4	
9	LG807683	RETAINER	4	
10	LG692058	RETAINER	4	
11	LG692084	SPRING	4	
12	LG691963	SEAL	4	
13	LG807681	EXHAUST VALVE	2	
14	LG807680	INTAKE VALVE	2	
15	UC10273	GASKET	1	SUB FOR LG690888
16	LG806039S	GASKET	2	ROCKER COVER
17	LG691493	CYLINDER LINER	2	PORT
18	LG692057	GUIDE	4	VALVE
19	LG807623	ADJUSTER	4	(W/NUT)
20	LG691543	ROCKER ARM	4	
21	MIU11035	ROCKER ARM	4	PIVOT, (SUB FOR LG690973)
22	LG691544	STUD	4	
23	LG808383	CYLINDER HEAD	1	RH
24	LG808384	CYLINDER HEAD	1	LH



MP19762

Thank you so much for reading.
Please click the “Buy Now!”
button below to download the
complete manual.



After you pay.

You can download the most
perfect and complete manual in
the world immediately.

Our support email:

ebooklibonline@outlook.com