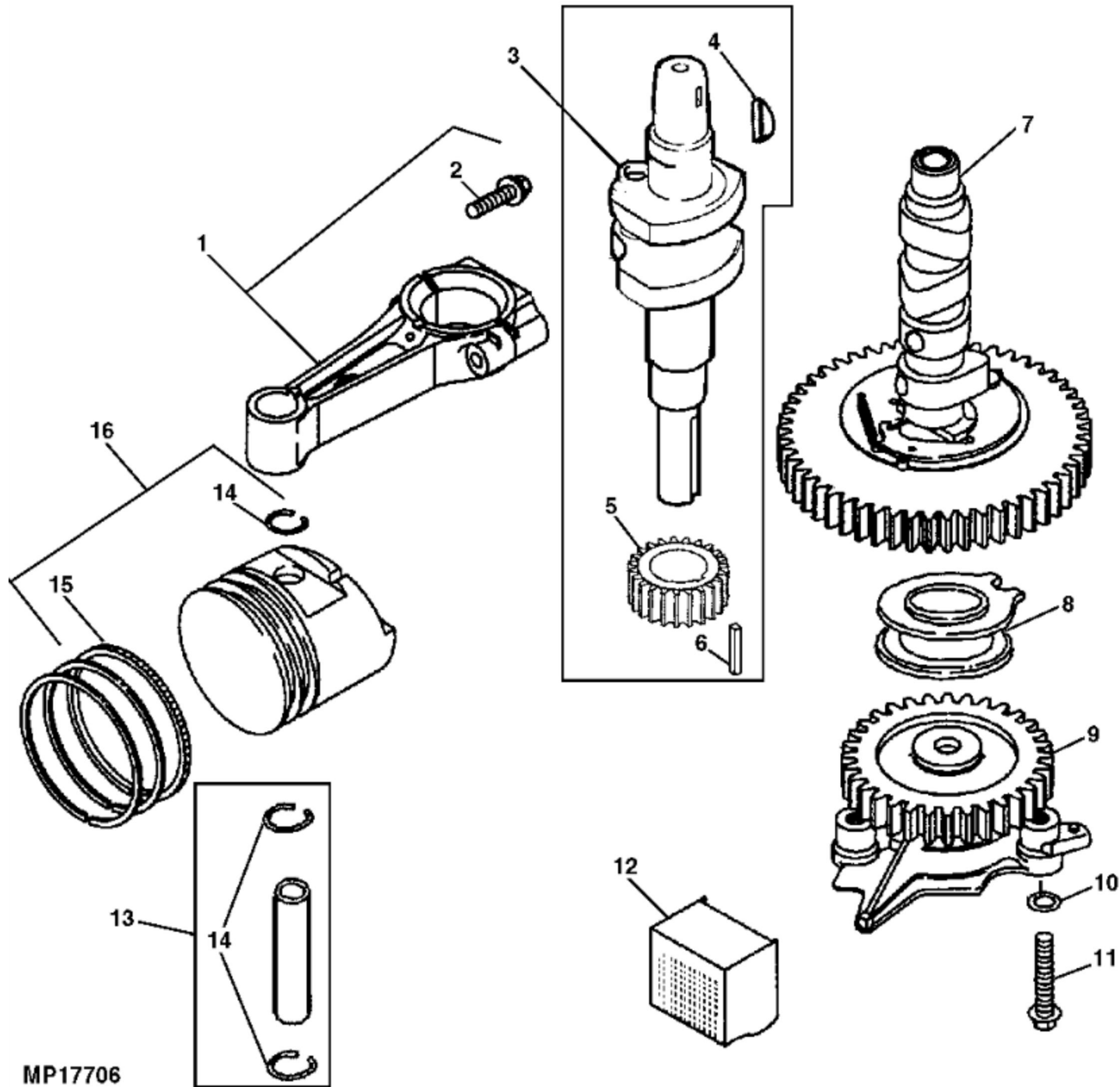


John Deere > Turf And Utility >TRACTOR, LAWN AND GARDEN >LX288 - TRACTOR, LAWN AND GARDEN >LX288 Lawn Tractor >20 ENGINE (BRIGGS/STRATTON) MIA12265 >ST580144 - CYLINDER BLOCK AND DIPSTICK

KEY	PART NO.	PART NAME	QTY	REMARKS
1	LG692545	CYLINDER	1	
2	LG808534	BUSHING	1	
3	LG805101S	SEAL	1	
4	M145399	SLEEVE	1	DOWEL, (SUB FOR LG690684)
5	15H623	DRAIN PLUG	1	3/8", (SUB FOR LG805048 OR LG690946)
6	AM125424	OIL FILTER	1	
7	LG808537	ADAPTER FITTING	1	
8	LG691145	CLAMP	2	
9	MIA10503	HOSE	1	(INCLUDES LG691145) (SUB FOR LG499501)
10	M45937	ELBOW FITTING	1	
11	LG692063	GASKET	1	
12	LG690706	LOCK WASHER	1	
13	LG690682	STUD	1	
14	LG690679	CAP SCREW	1	
15	M146343	GASKET	1	BREATHER, (SUB FOR LG807688)
16	AM131315	BREATHER	1	(SUB FOR LG692095 OR M143320)
17	LG690751	SCREW	1	
18	MIU11524	SCREW	1	(NLA) (SUB FOR LG692540) (ORDER 19M7269)
19	LG806083S	HOSE	1	BREATHER
20	LG690686	PLATE	1	BREATHER
21	LG691550	RETAINER	1	
22	LG690680	SEAL	1	
23	LG690701	BUSHING	1	
24	M144914	BUSHING	1	(SUB FOR LG690702)
25	LG690899	CRANK	1	(ENGINE MARKED 350777-1137-E1)
25	AM131177	CRANK	1	(ENGINE MARKED 350777-1154-E1)
26	LG805049S	SEAL	2	
27	LG690704	WASHER	1	
28	MIU12287	GASKET	1	NLA; ORDER MIU11265; SUB FOR LG691684 OR MIU11265; CRANKCASE
28	MIU11265	GASKET	1	NLA; ORDER MIU13345
28	MIU13345	GASKET	1	NLA; ORDER MIU14235
28	MIU14235	GASKET	1	
29	LG692154	SEAL	1	

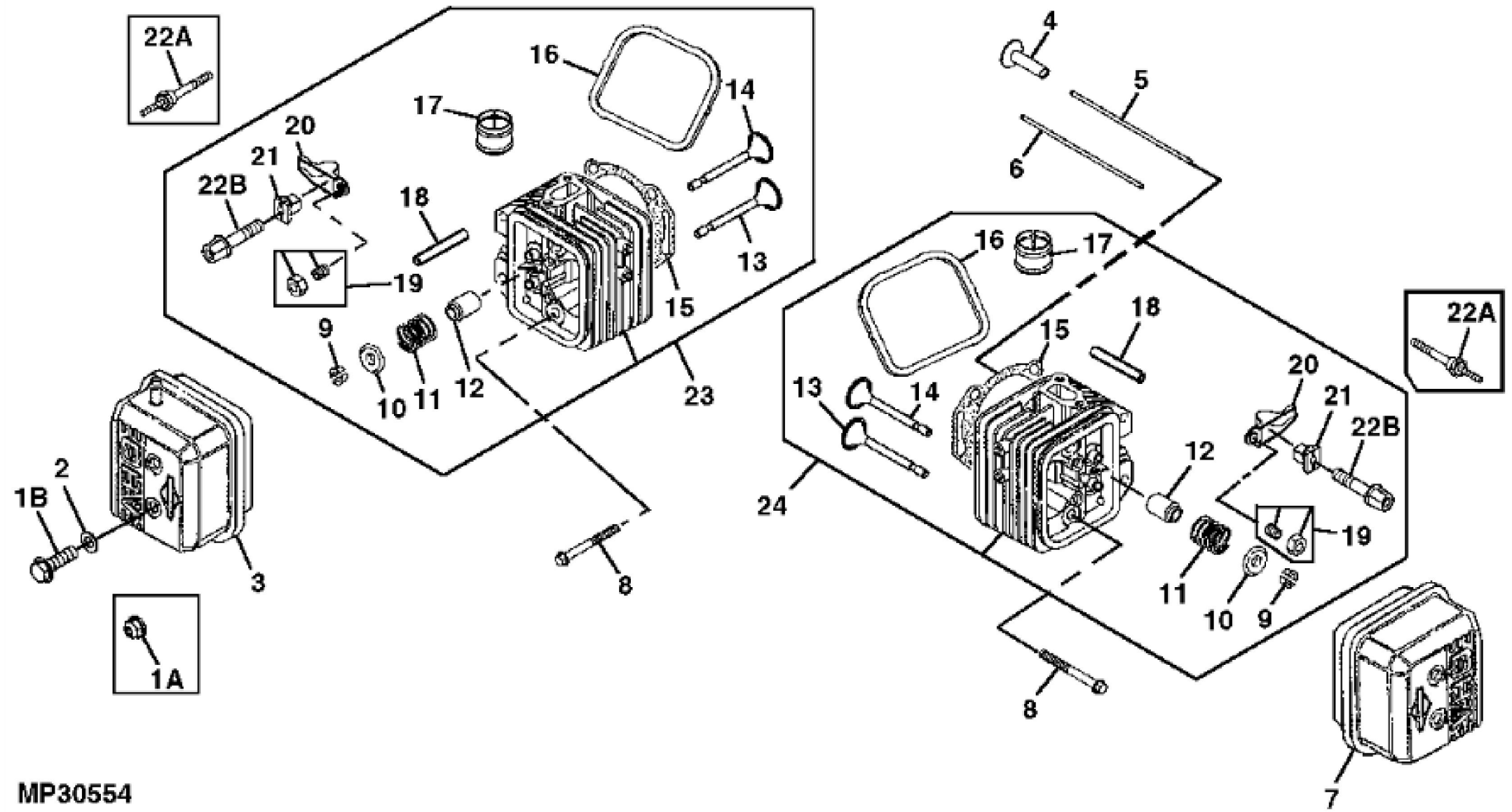
KEY	PART NO.	PART NAME	QTY	REMARKS
30	MIA11613	CRANKCASE	1	(SUB FOR LG808504 OR AM131176)
31	LG692053	SEAL	1	
32	LG691870	SEAL	1	
33	LG692093	OIL TUBE	1	
34	M147829	SCREW	2	(SUB FOR LG692537)
35	LG692101	DIPSTICK	1	(SUB FOR LG807516)
36	M132015	THREADED NIPPLE	1	
37	M126875	CAP	1	
38	19M7897	SCREW	4	M8 X 35, (ENGINE MOUNTING)
39	14M7298	FLANGE NUT	4	M8, (ENGINE MOUNTING)
40	AM124154	GASOLINE ENGINE	1	Not Illustrated; (MARKED 350777-1137-E1) (SUB MIA11628)
41	AM130132	GASOLINE ENGINE	1	NOT Illustrated; (MARKED 350777-1154-E1) (SUB MIA11628)
42	AM133859	GASOLINE ENGINE	1	Not Illustrated; (MARKED 350777-1137-E2) (SUB MIA11628)
43	MIA11628	GASOLINE ENGINE	1	NLA; ORDER MIA12265; MARKED 356777-1137-G1; Not Illustrated
43	MIA12265	GASOLINE ENGINE	1	Not Illustrated



MP17706

John Deere > Turf And Utility >TRACTOR, LAWN AND GARDEN >LX288 - TRACTOR, LAWN AND GARDEN >LX288 Lawn Tractor >20 ENGINE (BRIGGS/STRATTON) MIA12265 >ST580145 - CRANKSHAFT AND PISTON

KEY	PART NO.	PART NAME	QTY	REMARKS
1	LG807900S	CONNECTING ROD	1	STD
1	LG807803	CONNECTING ROD	1	.50MM (.020") US, (NLA)
2	LG690698	SCREW	1	
3	MIU11092	CRANKSHAFT	1	(SUB FOR LG692172)
4	M145150	SHAFT KEY	1	(SUB FOR LG806066)
5	LG691530	GEAR	1	
6	LG691639	KEY	1	
7	LG691557	CAM	1	
8	LG690689	SPOOL	1	
9	LG693186	OIL PUMP	1	(ORDER MIA11613)
9	MIA11613	RESERVOIR	1	ENGINE BASE SUMP (NOT SHOWN)
10	LG690681	SEAL	2	
11	LG691492	CAP SCREW	1	
12	LG690878	SCREEN	1	
13	LG807886	PISTON PIN	1	
14	LG690683	SNAP RING	1	
15	LG807889	PISTON RING KIT	1	STD
15	LG807995	PISTON RING KIT	1	.50MM (.020") OS
16	MIA11406	PISTON	1	STD, (SUB FOR LG808326)
16	LG808337	PISTON	1	.50MM (.020") OS



MP30554

Thank you so much for reading.
Please click the “Buy Now!”
button below to download the
complete manual.



After you pay.

You can download the most
perfect and complete manual in
the world immediately.

Our support email:

ebooklibonline@outlook.com