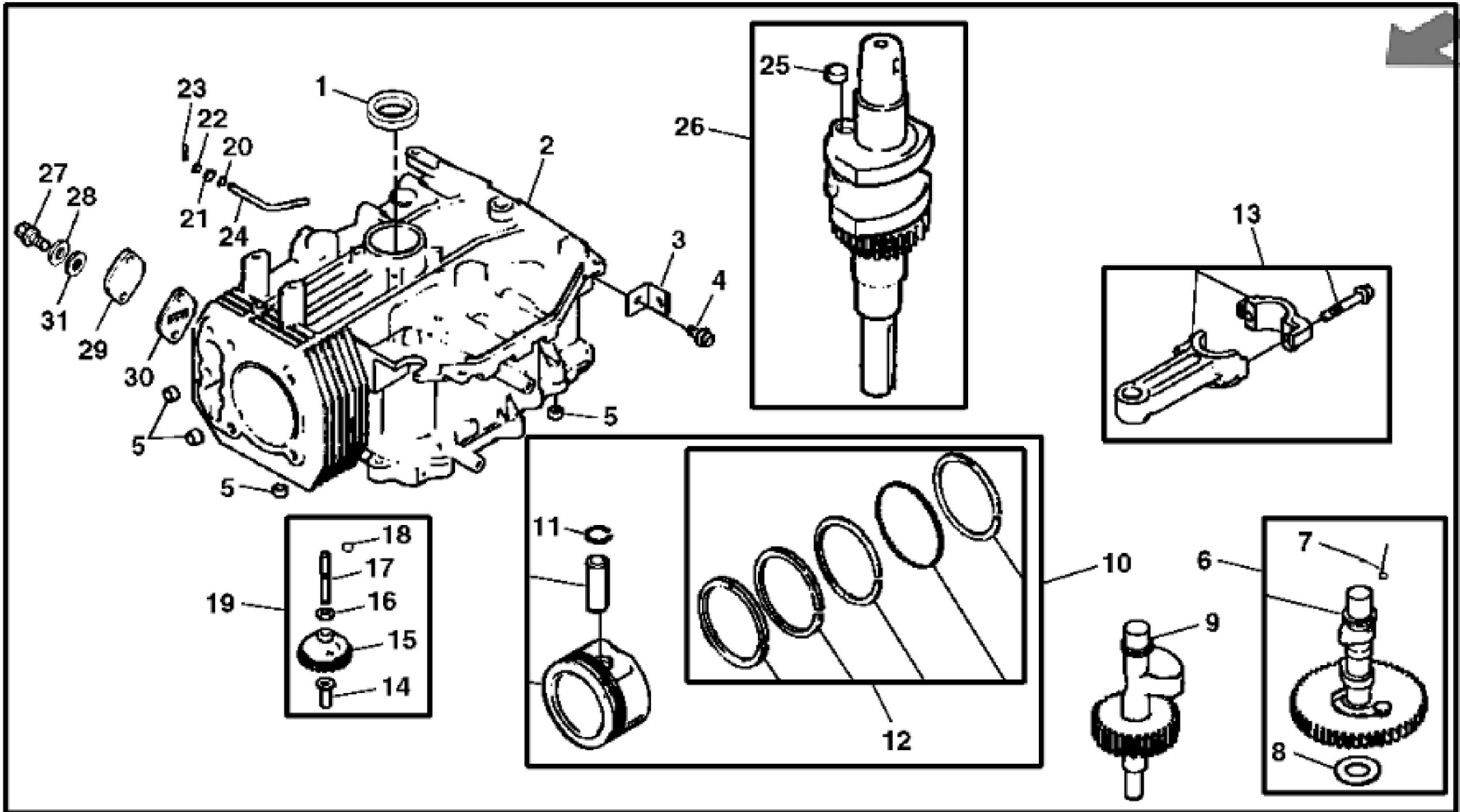


HEAD AND ROCKER ARM

KEY	PART NO.	PART NAME	QTY	REMARKS
1	37M7131	SCREW	5	M6 X 20
2	37M7091	SCREW	1	M6 X 25
3	M124985	STRAP	1	LIFT
4	AM132623	VALVE COVER	1	(SUB FOR M92209)
5	TY22462	CLAMP	2	HOSE
6	M92212	HOSE	1	BREATHER
7	MIU13278	VALVE LIFTER	2	SUB FOR M137271 or MIU11034 or MIU12989
8	M149342	PUSH ROD	2	(SUB FOR M92197)
9	M124986	ENGINE CYLINDER HEAD GASKET	1	
10	15H558	PIPE PLUG	1	1/8", HEX
11	AM119712	VALVE KIT	1	ORDER AM107043,M146624 , M92200 AND M92203
11	M92213	INTAKE VALVE	1	.25 MM (.010") OS
11	M146775	SEAL	1	
12	EXHAUST VALVE	1	(A), STD (ORDER AM119711)
12	M92214	EXHAUST VALVE	1	.25 MM (.010") OS
13	CYLINDER HEAD	1	
14	M120417	WASHER	1	
15	M120286	SPACER	1	
16	M149264	BOLT	5	CYLINDER HEAD (SUB FOR M92367)
17	M146624	SPRING	1	(B)
18	M92203	CAP	2	(A), (B)
19	AM107043	RETAINER	2	(A), (B)
20	M124983	WIRING LEAD	1	
21	M146624	SPRING	1	(B)
22	M43123	RETAINER	1	(A)
23	19M8290	SCREW	1	M6 X 35
24	M131132	PIVOT	1	
25	M131133	ROCKER ARM	1	
26	AM117014	ARM KIT	2	NLA;Rocker Arm
27	AM125352	HEAD KIT	1	CYLINDER HEAD
28	M93483	SCREW	1	
29	RETAINER	1	BREATHER
30	VALVE	1	BREATHER
31	AM117016	KIT	1	BREATHER

KEY	PART NO.	PART NAME	QTY	REMARKS	
..	AM119711	KIT	1	EXHAUST VALVE (INCLUDES PARTS MARKED (A))	
..	AM119712	KIT	1	INTAKE VALVE (INCLUDES PARTS MARKED (B))	



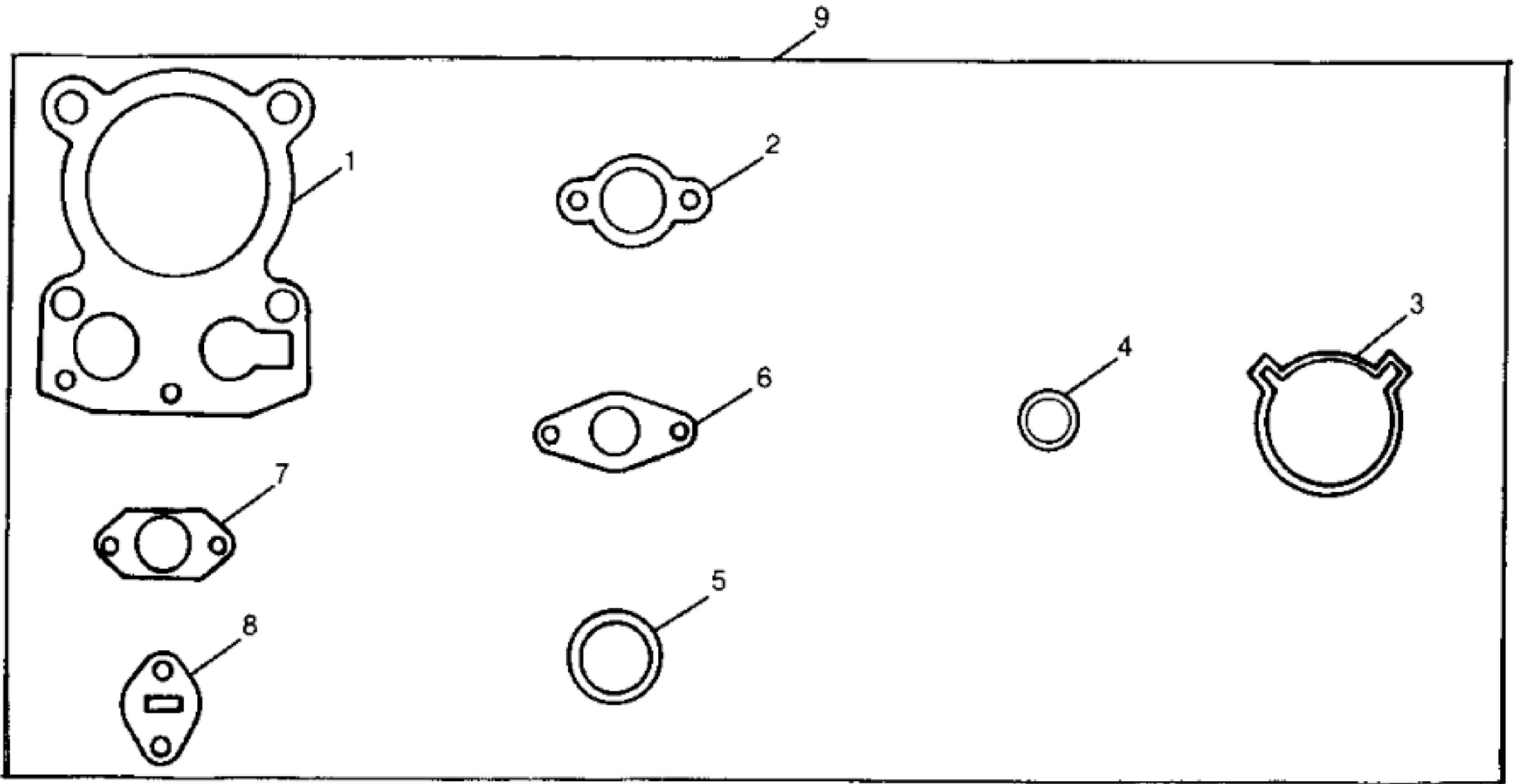
MP32376



CRANKSHAFT, PISTON AND SHORT BLOCK

KEY	PART NO.	PART NAME	QTY	REMARKS
1	M92074	SEAL	1	
2	CYLINDER BLOCK	1	
3	M92069	STRAP	1	
4	19M7867	SCREW	1	M8 X 25
5	MIU11251	DOWEL PIN	4	LOCATING (SUB FOR M132339 OR M144516)
6	AM123079	KIT	1	CAMSHAFT (METAL GEAR)
7	MIU10690	SPRING	1	ACTUATING (SUB FOR M133017)
8	M93955	SHIM	AR	.73 MM (.029")
8	M97015	SHIM	AR	.75 MM (.030")
8	M118585	SHIM	AR	.81 MM (.032")
8	M96817	SHIM	AR	.86 MM (.034")
8	M96818	SHIM	AR	.91 MM (.036")
8	M96819	SHIM	AR	.96 MM (.038")
8	M118584	SHIM	AR	1.02 MM (.040")
9	M126874	BALANCER SHAFT	1	
10	AM122461	PISTON REPLACEMENT KIT	1	STD
10	AM122463	PISTON REPLACEMENT KIT	1	.50 MM (.020") OS
11	M92077	RETAINER	2	PISTON PIN
12	AM122468	PISTON RING KIT	1	STD
12	AM122470	PISTON RING KIT	1	.50 MM (.020") OS
13	M92075	CONNECTING ROD	1	STD
13	M92076	CONNECTING ROD	1	.25 MM (.010") US
14	M92083	PIN	1	
15	M92082	GEAR	1	
16	M93418	WASHER	1	
17	M92081	SHAFT	1	
18	M76215	PLUG	1	
19	AM117019	GEAR KIT	1	NLA; GEAR
20	M96520	WASHER	1	
21	M92079	SEAL	1	
22	M93419	WASHER	1	
23	M126396	QUICK LOCK PIN	1	
24	AM123070	SHAFT	1	GOVERNOR (INCLUDES M126396)
25	PLUG	1	

KEY	PART NO.	PART NAME	QTY	REMARKS	
26	AM121531	CRANKSHAFT	1	(ALSO ORDER 19M7944)	
27	37M7090	SCREW	2	M6 X 16	
28	12H302	LOCK WASHER	2	1/4"	
29	M42101	COVER	1		
30	M126886	GASKET	1	FUEL PUMP	
31	24H1287	WASHER	2	9/32" X 5/8" X 0.065"	
32	AM125360	SHORT BLOCK ASSEMBLY	1		
33	19M7866	SCREW	4	M8 X 20, (ENGINE MOUNTING)	
..	AM124681	GASOLINE ENGINE	1	(MARKED CV15S-41571) (ORDER AM125360)	



MP15618

John Deere > Turf And Utility >TRACTOR, LAWN AND GARDEN >GT225 - TRACTOR, LAWN AND GARDEN >GT225 Lawn and Garden Tractor >20 ENGINE (MARKED CV15S-41571) >ST605146 - ENGINE GASKET KIT

KEY	PART NO.	PART NAME	QTY	REMARKS	
1	M124986	ENGINE CYLINDER HEAD GASKET	1		
2	M92356	GASKET	1	AIR CLEANER	
3	M131281	O-RING	1	OIL PUMP COVER	
4	M92193	O-RING	2	LOWER, OIL FILL TUBE	
5	M92074	SEAL	2	CRANKSHAFT	
6	M92365	GASKET	2	MUFFLER	
7	AM107046	GASKET	2	CARBURETOR	
8	M126886	GASKET	1	FUEL PUMP	
9	AM130690	GASKET KIT	1	ENGINE (SUB FOR AM125358)	

Thank you so much for reading.
Please click the “Buy Now!”
button below to download the
complete manual.



After you pay.

You can download the most
perfect and complete manual in
the world immediately.

Our support email:

ebooklibonline@outlook.com