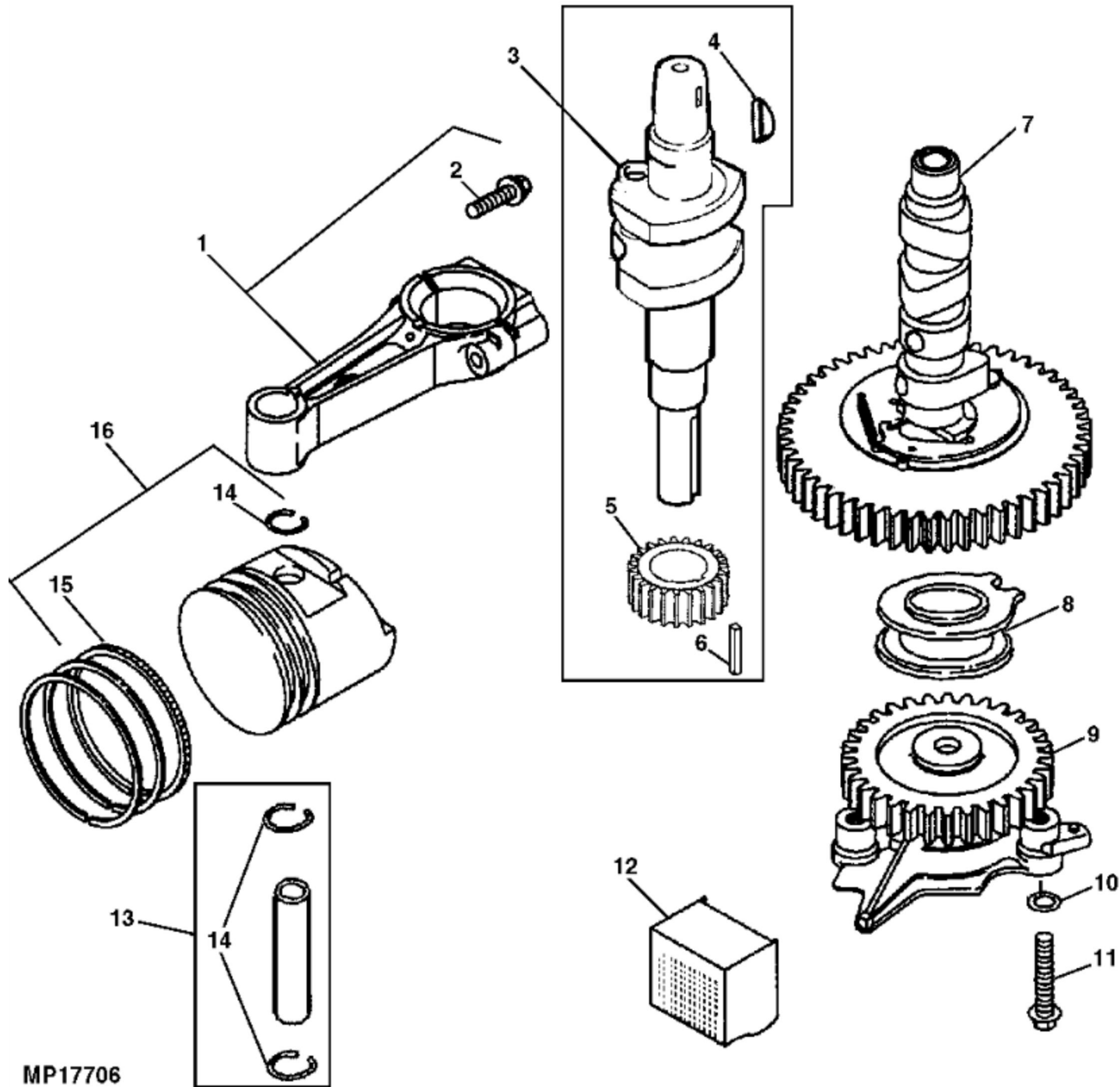


John Deere > Turf And Utility >TRACTOR, LAWN AND GARDEN >GT235E - TRACTOR, LAWN AND GARDEN >GT235 and GT235E Lawn and Garden Tractor >20 ENGINE (BRIGGS / STRATTON) (M0235A - M0235E) >ST580365 - CYLINDER BLOCK AND DIPSTICK

KEY	PART NO.	PART NAME	QTY	REMARKS
1	LG692545	CYLINDER	1	(ENGINES MARKED 350777-1137-E1, 350777-1154-E1 AND 350777-1137-E2)
1	AM132456	CYLINDER	1	(ENGINE MARKED 35777A-0113-E1)
2	LG808534	BUSHING	1	
3	LG805101S	SEAL	1	
4	M145399	SLEEVE	1	DOWEL, (SUB FOR LG690684)
5	15H623	DRAIN PLUG	1	3/8", (SUB FOR LG805048 OR LG690946)
6	AM125424	OIL FILTER	1	
7	LG808537	ADAPTER FITTING	1	(ENGINES MARKED 350777-1137-E1, 350777-1154-E1 AND 350777-1137-E2)
7	LG808235	ADAPTER FITTING	1	(ENGINE MARKED 35777A-0113-E1) (INCLUDES GASKET)
8	LG691145	CLAMP	2	
9	MIA10503	KIT	1	HOSE AND CLAMP, (SUB FOR LG499501 OR MIA10407)
10	M45937	ELBOW FITTING	1	
11	LG692063	GASKET	1	
12	LG690706	LOCK WASHER	1	
13	LG690682	STUD	1	
14	LG690679	CAP SCREW	1	
15	M146343	GASKET	1	BREATHER, (SUB FOR LG807688)
16	AM131315	BREATHER	1	(SUB FOR LG692095 OR M143320)
17	LG690751	SCREW	1	
18	MIU11524	SCREW	1	(NLA) (SUB FOR LG692540) (ORDER 19M7269)
19	LG806083S	TUBE	1	BREATHER
20	LG690686	PLATE	1	BREATHER
21	LG691550	RETAINER	1	
22	LG690680	SEAL	1	(B)
23	LG690701	BUSHING	1	(B)
24	M144914	BUSHING	1	(A) (B) (SUB FOR LG690702)
25	LG690899	CRANK	1	(ENGINES MARKED 350777-1137-E1, 350777-1154-E1)
25	AM131177	CRANK	1	(B) (INCLUDES PARTS MARKED (A)) (ENGINES MARKED 35777A-0113-E1, 350777-1137-E2)
26	LG805049S	SEAL	2	
27	LG690704	WASHER	1	

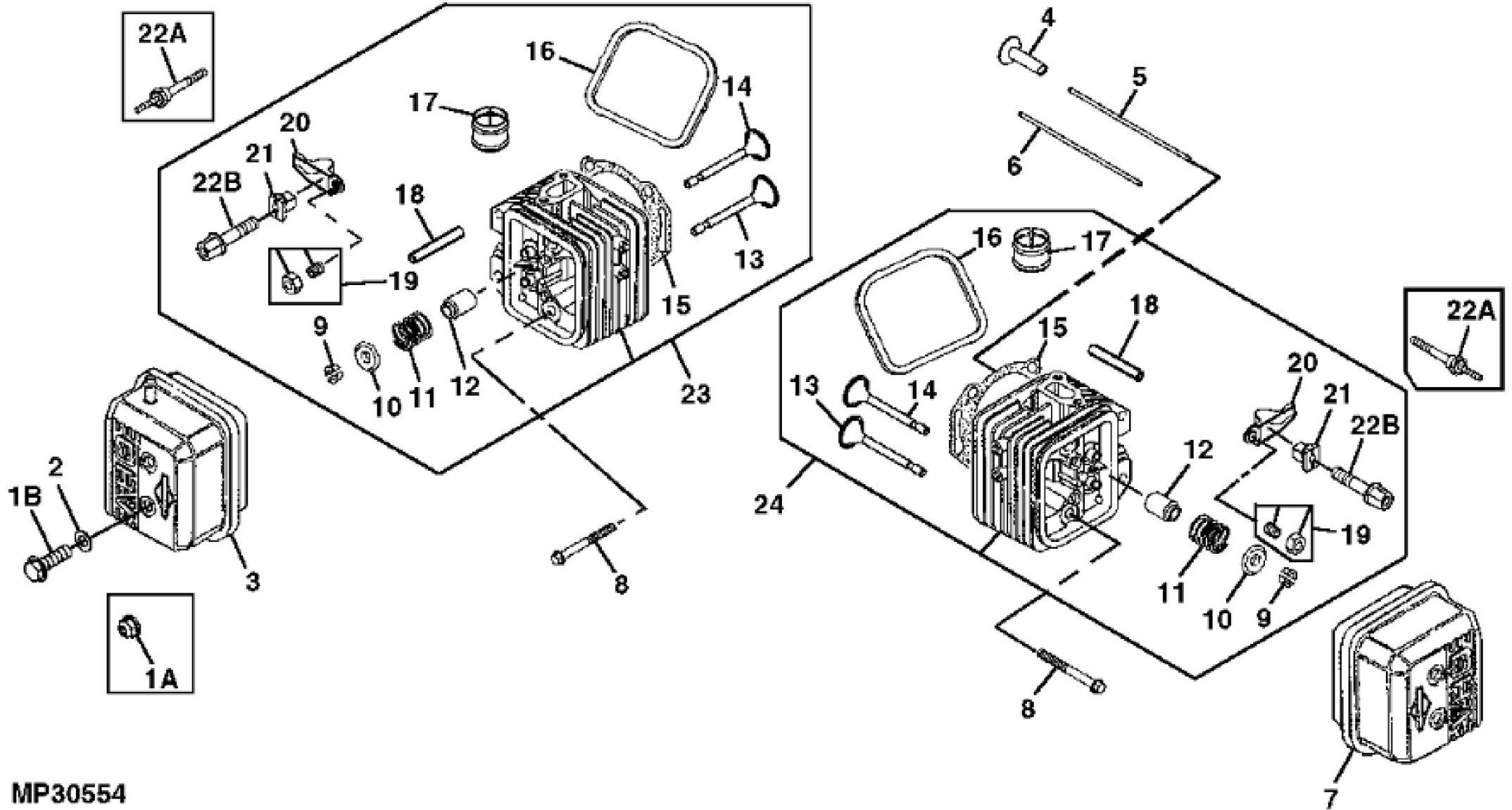
KEY	PART NO.	PART NAME	QTY	REMARKS
28	MIU12287	GASKET	1	NLA; ORDER MIU11265; SUB FOR LG691684 OR MIU11265; CRANKCASE
28	MIU11265	GASKET	1	NLA; ORDER MIU13345
28	MIU13345	GASKET	1	NLA; ORDER MIU14235
28	MIU14235	GASKET	1	
29	LG692154	SEAL	1	
30	MIA11613	CRANKCASE	1	(INCLUDES PARTS MARKED (B)) (SUB FOR LG808504 OR AM131176)
31	LG692053	SEAL	1	
32	LG691870	SEAL	1	
33	LG692093	DIPSTICK TUBE	1	
34	M147829	SCREW	2	(SUB FOR LG692537)
35	LG692101	DIPSTICK	1	(SUB FOR LG807516)
36	M132015	THREADED NIPPLE	1	
37	M126875	CAP	1	
38	19M7897	SCREW	4	M8 X 35, (ENGINE MOUNTING)
39	14M7298	FLANGE NUT	4	M8, (ENGINE MOUNTING)
40	AM124154	GASOLINE ENGINE	1	(Not Illustrated) (MARKED 350777-1137-E1) (SUB MIA11628); For 235
41	AM130132	GASOLINE ENGINE	1	(Not Illustrated) (MARKED 350777-1154-E1) (SUB MIA11628); For 235
42	AM133859	GASOLINE ENGINE	1	(Not Illustrated) (MARKED 350777-1137-E2) (SUB MIA11628); For 235
43	MIA11628	GASOLINE ENGINE	1	(Not Illustrated) NLA; ORDER MIA12265; MARKED 356777-1137-G1; For 235
43	MIA12265	GASOLINE ENGINE	1	(Not Illustrated) For 235
44	AM131797	GASOLINE ENGINE	1	(Not Illustrated) (NLA) (W/INVERTER) (MARKED 35777A-0113-E1); For 235E
45	19M7077	CAP SCREW	1	(Not Illustrated) M6 X 20, SUB FOR MIU12481
46	19M7299	CAP SCREW	1	(Not Illustrated) M6 X 45, SUB FOR MIU12482



MP17706

John Deere > Turf And Utility >TRACTOR, LAWN AND GARDEN >GT235E - TRACTOR, LAWN AND GARDEN >GT235 and GT235E Lawn and Garden Tractor >20 ENGINE (BRIGGS / STRATTON) (M0235A - M0235E) >ST580366 - CRANKSHAFT AND PISTON

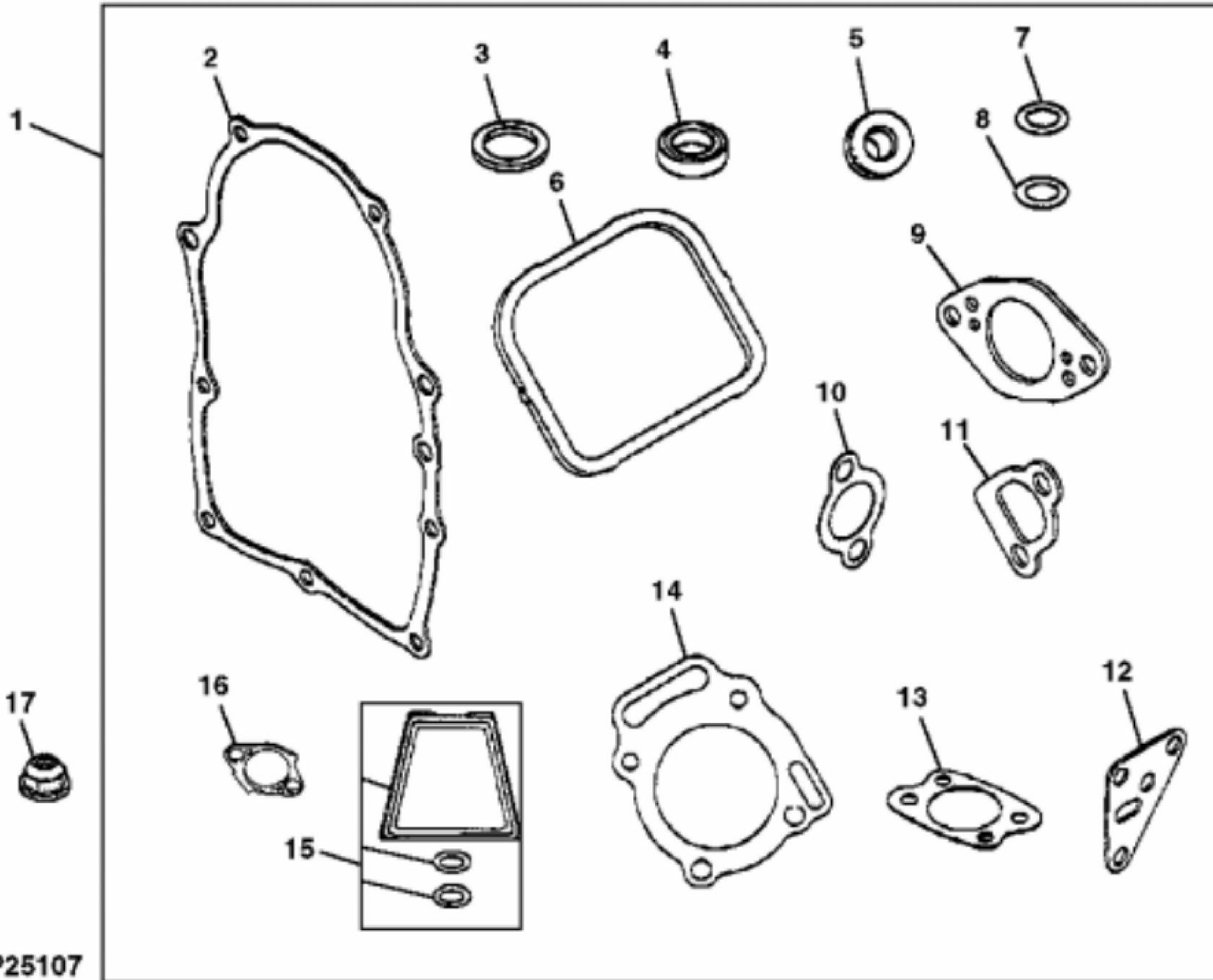
KEY	PART NO.	PART NAME	QTY	REMARKS
1	LG807900S	CONNECTING ROD	1	STD
1	LG807803	CONNECTING ROD	1	.50MM (.020") US, (NLA)
2	LG690698	SCREW	2	
3	MIU11092	CRANKSHAFT	1	(SUB FOR LG692172)
4	M145150	SHAFT KEY	1	(SUB FOR LG806066)
5	LG691530	GEAR	1	
6	LG691639	KEY	1	
7	LG691557	CAMSHAFT	1	
8	LG690689	SPOOL	1	
9	LG693186	OIL PUMP	1	(ORDER MIA11613) (SUB FOR LG690893)
9	MIA11613	RESERVOIR	1	ENGINE BASE SUMP (NOT SHOWN)
10	LG690681	SEAL	2	
11	LG691492	CAP SCREW	2	
12	LG690878	SCREEN	1	OIL PUMP
13	LG807886	PISTON PIN	1	
14	LG690683	LOCK	2	
15	MIU12116	PISTON RING KIT	1	STD, (SUB FOR LG807889)
15	MIU12117	PISTON RING KIT	1	.50MM (.020") OS, (SUB FOR LG807995)
16	MIA11406	PISTON	1	STD, (SUB FOR LG808326)
16	MIA11407	PISTON	1	.50MM (.020") OS, (SUB FOR LG808337)



MP30554

KEY	PART NO.	PART NAME	QTY	REMARKS
1A	LG692055	LOCK NUT	4	(ENGINES MARKED 350777-1137-E1, 350777-1154-E1 AND 350777-1137-E2)
1B	M147829	SCREW	4	(ENGINE MARKED 35777A-0113-E1)
2	LG691766	WASHER	4	(ENGINES MARKED 350777-1137-E1, 350777-1154-E1 AND 350777-1137-E2)
2	M147828	WASHER	4	(ENGINE MARKED 35777A-0113-E1)
3	LG691558	COVER	1	
4	LG690977	TAPPET	4	
5	LG691836	PUSH ROD	2	INTAKE
6	LG691758	PUSH ROD	2	EXHAUST
7	LG691494	COVER	1	
8	LG692059	CAP SCREW	4	
9	LG807683	RETAINER	2	
10	LG692058	RETAINER	2	
11	LG692084	SPRING	2	
12	LG691963	SEAL	2	
13	LG807681	EXHAUST VALVE	1	(INCLUDES LG807683)
14	LG807680	INTAKE VALVE	1	(INCLUDES LG807683)
15	UC10273	GASKET	1	SUB FOR LG690888
16	LG806039S	GASKET	1	VALVE COVER
17	LG691493	CYLINDER LINER	1	PORT (ENGINES MARKED 350777-1137-E1 AND 350777-1154-E1)
18	LG692057	BUSHING	2	
19	LG807623	SCREW	2	
20	LG691543	ROCKER ARM	2	
21	MIU11035	PIVOT	2	(SUB FOR LG690973)
22A	LG691544	STUD	2	(ENGINES MARKED 350777-1137-E1, 350777-1154-E1 AND 350777-1137-E2) (SUB AM132460)
22B	AM132460	STUD	2	(ENGINE MARKED 35777A-0113-E1) (INCLUDES M147828 AND M147829)
23	LG808383	CYLINDER HEAD	1	(NO. 1) (ENGINES MARKED 350777-1137-E1, 350777-1154-E1 AND 350777-1137-E2) (SUB AM132457)
23	AM132457	CYLINDER HEAD	1	(NO. 1) (ENGINE MARKED 35777A-0113-E1)

KEY	PART NO.	PART NAME	QTY	REMARKS
24	LG808384	CYLINDER HEAD	1	(NO. 2) (ENGINES MARKED 350777-1137-E1, 350777-1154-E1 AND 350777-1137-E2) (SUB AM132458)
24	AM132458	CYLINDER HEAD	1	(NO. 2) (ENGINE MARKED 35777A-0113-E1)



MP25107

Thank you so much for reading.  
Please click the “Buy Now!”  
button below to download the  
complete manual.



After you pay.

You can download the most  
perfect and complete manual in  
the world immediately.

Our support email:

[ebooklibonline@outlook.com](mailto:ebooklibonline@outlook.com)