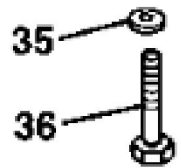
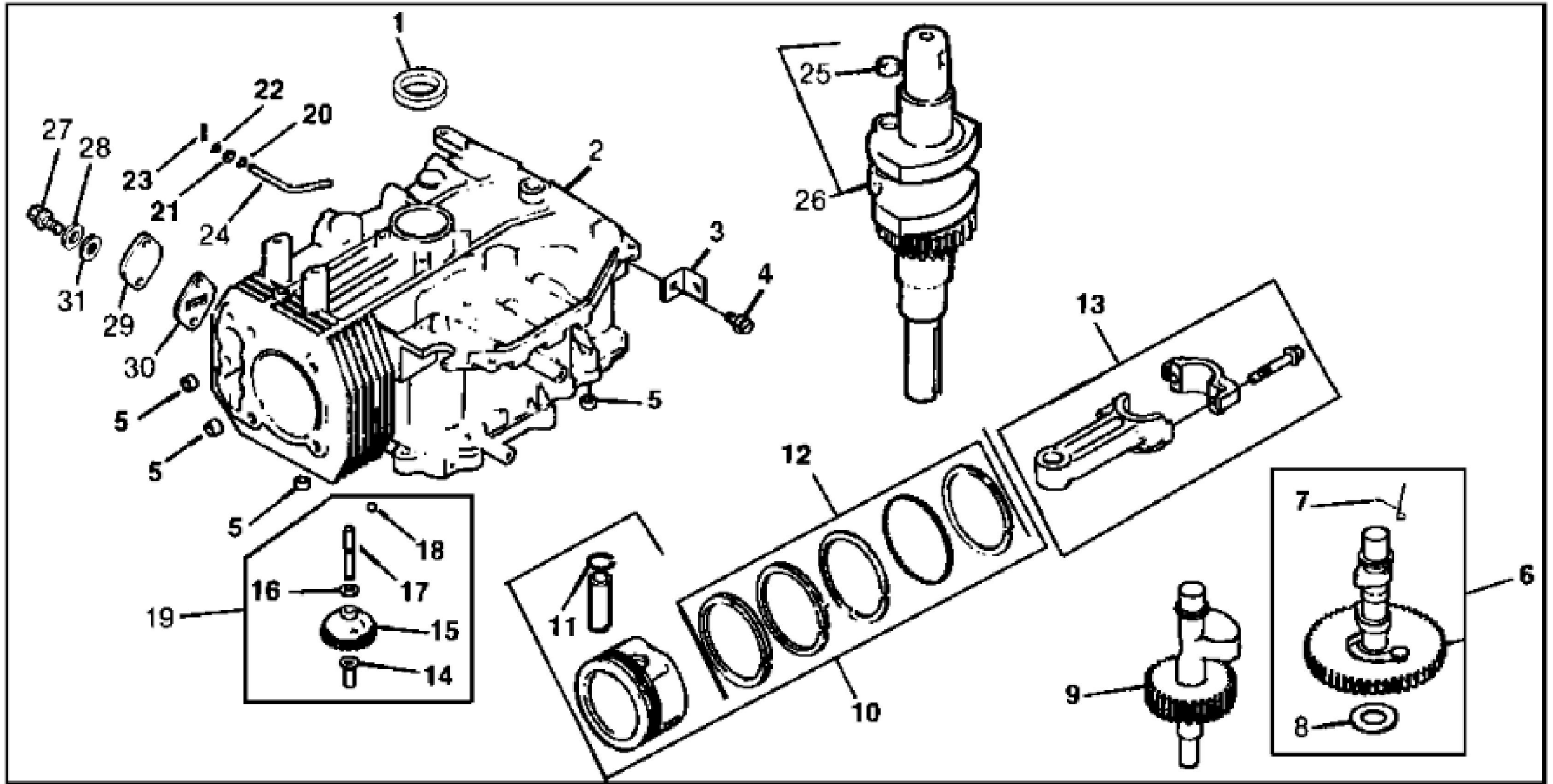


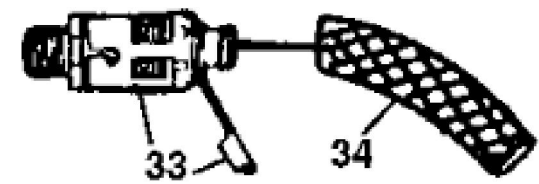
MP30535

John Deere > Turf And Utility >TRACTOR, LAWN AND GARDEN >SCOTTS - TRACTOR, LAWN AND GARDEN >Scotts S1642 Tractors >20 ENGINE (MARKED CV16S-43518) GU10348 >ST580223 - CYLINDER HEAD AND ROCKER ARM

KEY	PART NO.	PART NAME	QTY	REMARKS
1	37M7131	SCREW	5	M6 X 20
2	37M7091	SCREW	2	M6 X 25
3	M124985	STRAP	1	LIFT
4	M92209	COVER	1	VALVE
5	TY22462	CLAMP	2	HOSE
6	M92212	TUBE	1	BREATHER
7	MIU13278	VALVE LIFTER	2	SUB FOR M137271 or MIU11034 or MIU12989
8	M149342	PUSH ROD	2	(SUB FOR M149342)
9	M124986	ENGINE CYLINDER HEAD GASKET	1	
10	15H558	PIPE PLUG	1	1/8"
11	INTAKE VALVE	1	(A), STD
11	M92213	INTAKE VALVE	1	.25 MM (.010") OS
12	EXHAUST VALVE	1	(B), STD
12	M92214	EXHAUST VALVE	1	.25 MM (.010") OS
13	CYLINDER HEAD	1	
14	M120417	WASHER	1	
15	M120286	SPACER	1	(HEAD BOLT, EXHAUST PORT)
16	M149264	BOLT	5	CYLINDER HEAD (SUB FOR M92367)
17	M146624	SPRING	2	(A), (B)
18	M92203	CAP	2	(A), (B)
19	AM107043	RETAINER	2	(A), (B)
20	M43123	RETAINER	1	(B)
21	19M8290	SCREW	2	M6 X 35
22	M131132	PIVOT	2	
23	M131133	ROCKER ARM	2	
24	AM125352	HEAD KIT	1	CYLINDER HEAD (INCLUDES GASKETS)
25	AM117016	BREATHER KIT	1	BREATHER;ORDER M153533,M92210 and M93483
26	M93483	SCREW	1	
27	M153533	RETAINER	1	
28	M92210	BEAM	1	
29	M139792	BRACKET	1	
30	AM119712	INTAKE VALVE	1	ORDER AM107043 , M146624 , M92200 AND M92203 ; Not Illustrated
31	AM119711	EXHAUST VALVE	1	(INCLUDES PARTS MARKED (B));Not Illustrated



32

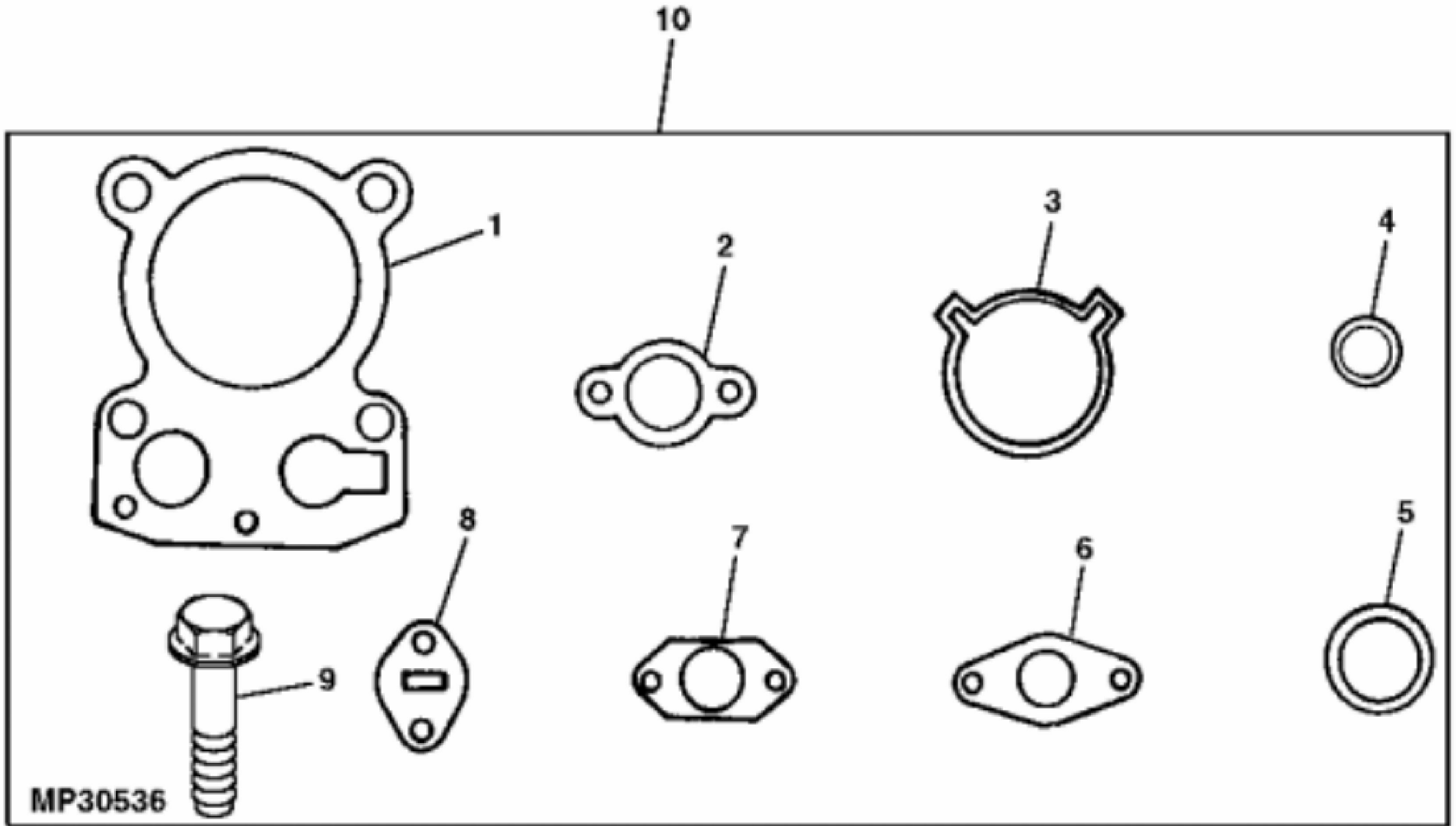


MP22307

CRANKSHAFT, PISTON AND SHORT BLOCK

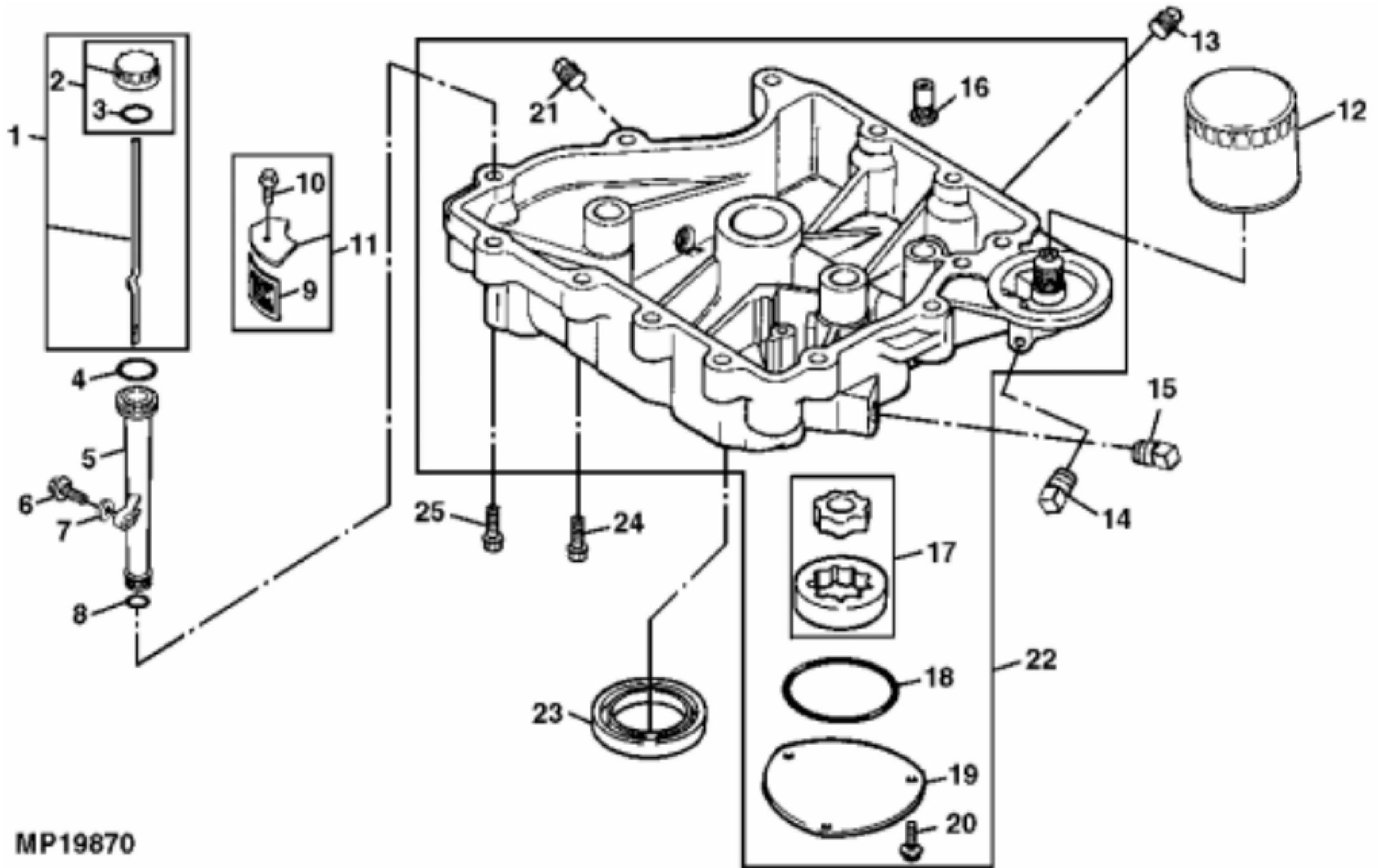
KEY	PART NO.	PART NAME	QTY	REMARKS
1	M92074	SEAL	1	
2	CYLINDER BLOCK	1	
3	M92069	STRAP	1	
4	19M7867	SCREW	1	M8 X 25
5	M132339	DOWEL PIN	4	LOCATING
6	AM123079	KIT	1	CAMSHAFT (METAL GEAR)
7	MIU10690	SPRING	1	ACTUATING (SUB FOR M133017)
8	M93955	SOLID SHIM	1	(.73 MM/ .029"), (WHITE)
8	M97015	SOLID SHIM	1	(.75 MM/ .030"), (BLUE)
8	M118585	SHIM	1	(.81 MM/ .032"), (RED)
8	M96817	SOLID SHIM	1	(.86 MM/ .034"), (YELLOW)
8	M96818	SOLID SHIM	1	(.91 MM/ .036"), (GREEN)
8	M96819	SOLID SHIM	1	(.96 MM/ .038"), (GRAY)
8	M118584	SHIM	1	(1.02 MM/ .040"), (BLACK)
9	M126874	SHAFT	1	BALANCE
10	AM122461	PISTON REPLACEMENT KIT	1	STD
10	AM122463	PISTON REPLACEMENT KIT	1	.50 MM (.020") OS
11	M92077	RETAINER	2	PISTON PIN
12	AM122468	PISTON RING KIT	1	STD
12	AM122470	PISTON RING KIT	1	.50 MM (.020") OS
13	M92075	CONNECTING ROD	1	STD
13	M92076	CONNECTING ROD	1	.25 MM (.010") US
14	M92083	PIN	1	
15	M92082	GEAR	1	
16	M93418	WASHER	1	
17	M92081	SHAFT	1	
18	M76215	PLUG	1	
19	AM117019	GEAR KIT	1	NLA; ORDER M76215, M92081, M92082, M92083 AND M93418
20	M96520	WASHER	1	
21	M92079	SEAL	1	
22	M93419	WASHER	1	
23	M126396	QUICK LOCK PIN	1	
24	AM123070	SHAFT	1	GOVERNOR (INCLUDES M126396)

KEY	PART NO.	PART NAME	QTY	REMARKS
25	PLUG	1	
26	AM121531	CRANKSHAFT	1	(ALSO ORDER 19M7944)
27	37M7090	SCREW	2	M6 X 16
28	12H302	LOCK WASHER	2	1/4"
29	M42101	COVER	1	
30	M126886	GASKET	1	
31	24H1287	WASHER	2	9/32" X 5/8" X 0.065"
32	AM125360	SHORT BLOCK ASSEMBLY	1	
33	AM119686	DRAIN VALVE	1	
34	BULK HOSE	1	(MAKE FROM TY22562)
35	24H1887	WASHER	2	11/32" X 1" X 0.134", (ENGINE MOUNTING)
36	19M7798	SCREW	2	M8 X 40, (ENGINE MOUNTING)
36	19M7897	SCREW	2	M8 X 35, (ENGINE MOUNTING)
..	GY00137	GASOLINE ENGINE	1	16 HP, (ENGINE MARKED CV16S-43518) (SUB GY00216)
..	GY00216	GASOLINE ENGINE	1	16 HP, (ENGINE MARKED CV16S-43526) (SUB AM125360)
..	AM125360	SHORT BLOCK ASSEMBLY	1	



John Deere > Turf And Utility >TRACTOR, LAWN AND GARDEN >SCOTTS - TRACTOR, LAWN AND GARDEN >Scotts S1642 Tractors >20 ENGINE (MARKED CV16S-43518) GU10348 >ST580225 - ENGINE GASKET KIT

KEY	PART NO.	PART NAME	QTY	REMARKS	
1	M124986	ENGINE CYLINDER HEAD GASKET	1		
2	M92356	GASKET	1	AIR CLEANER	
3	M92181	O-RING	1	OIL PUMP COVER	
4	M92193	O-RING	2	LOWER, OIL FILL TUBE	
5	M92074	SEAL	2	CRANKSHAFT	
6	M92365	GASKET	2	MUFFLER	
7	AM107046	GASKET	2	CARBURETOR	
8	M126886	GASKET	1	FUEL PUMP	
9	M149264	SCREW	5	(SUB FOR M92367)	
10	AM130690	GASKET KIT	1	(SUB FOR AM125358)	



MP19870

Thank you so much for reading.
Please click the “Buy Now!”
button below to download the
complete manual.



After you pay.

You can download the most
perfect and complete manual in
the world immediately.

Our support email:

ebooklibonline@outlook.com