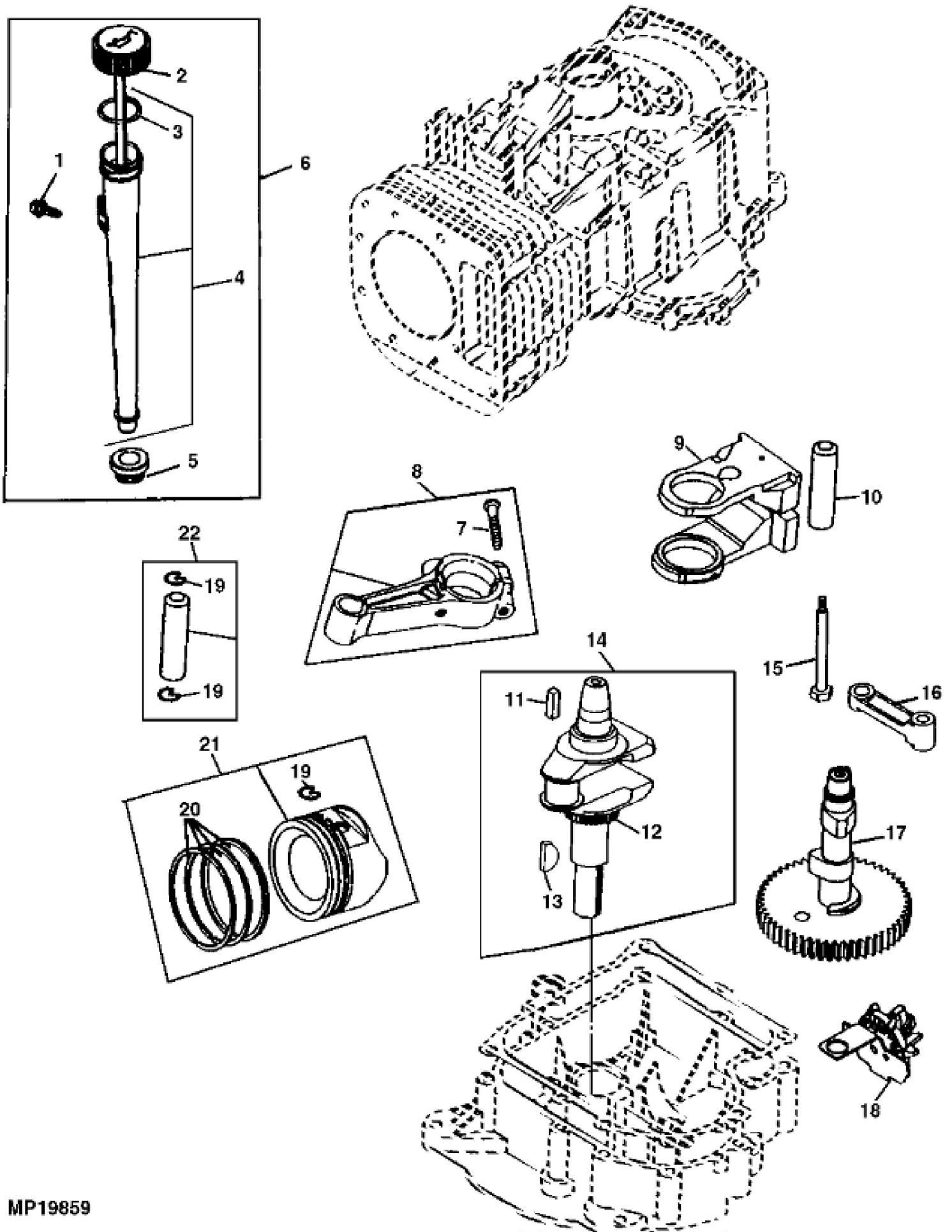


KEY	PART NO.	PART NAME	QTY	REMARKS
1	M153303	SCREW	1	(SUB FOR LG691658)
2	LG691674	SCREW	4	
3	LG494439	SCREEN	1	
4	LG691500	SPACER	1	
5	LG691058	BOLT	2	
6	LG690582	WASHER	1	
7	LG690452	RETAINER	1	
8	M145401	FAN	1	NLA(SUB FOR LG691927)
9	LG693557	FLYWHEEL	1	
10	LG691239	PIN FASTENER	1	NLA
11	LG391086S	SEAL	1	
12	LG399265	BEARING	1	NLA; ORDER MIA11778
12	MIA11778	SEAL KIT	1	
13	LG491986	BUSHING KIT	1	NLA; Governor Shaft Bushing
14	LG692407	SEAL	1	
15	LG690959	DOWEL PIN	1	
16	LG690156	CRANKCASE	1	NLA
17	LG691328	TUBE	1	
18	LG691666	CAP SCREW	2	(SUB FOR LG94719)
19	LG27803S	GASKET	1	
20	LG495735	BREATHER	1	(ENGINE MARKED 311777-0143-E1)
20	LG495734	BREATHER	1	NLA(ENGINE MARKED 311777-0036-E1)
21	LG692125	CAP SCREW	4	
22	15H623	DRAIN PLUG	1	(SUB FOR LG690946)
23	LG291675S	SEAL	1	
24	LG692226	GASKET	1	.38 MM (.015")
24	LG692406	GASKET	1	.13 MM (.005")
24	LG692405	GASKET	1	.23 MM (.009")
25	LG693582	RESERVOIR	1	NLA
25	LG494238	RESERVOIR	1	
26	TY22562	BULK HOSE	AR	
27	AM119686	DRAIN VALVE	1	
28	24H1621	WASHER	2	11/32" X 1" X 0.220", (ENGINE MOUNTING)
28	12H334	LOCK WASHER	1	5/16", (RIGHT FRONT ENGINE BOLT)
29	19M7798	SCREW	2	M8 X 40, (ENGINE MOUNTING)

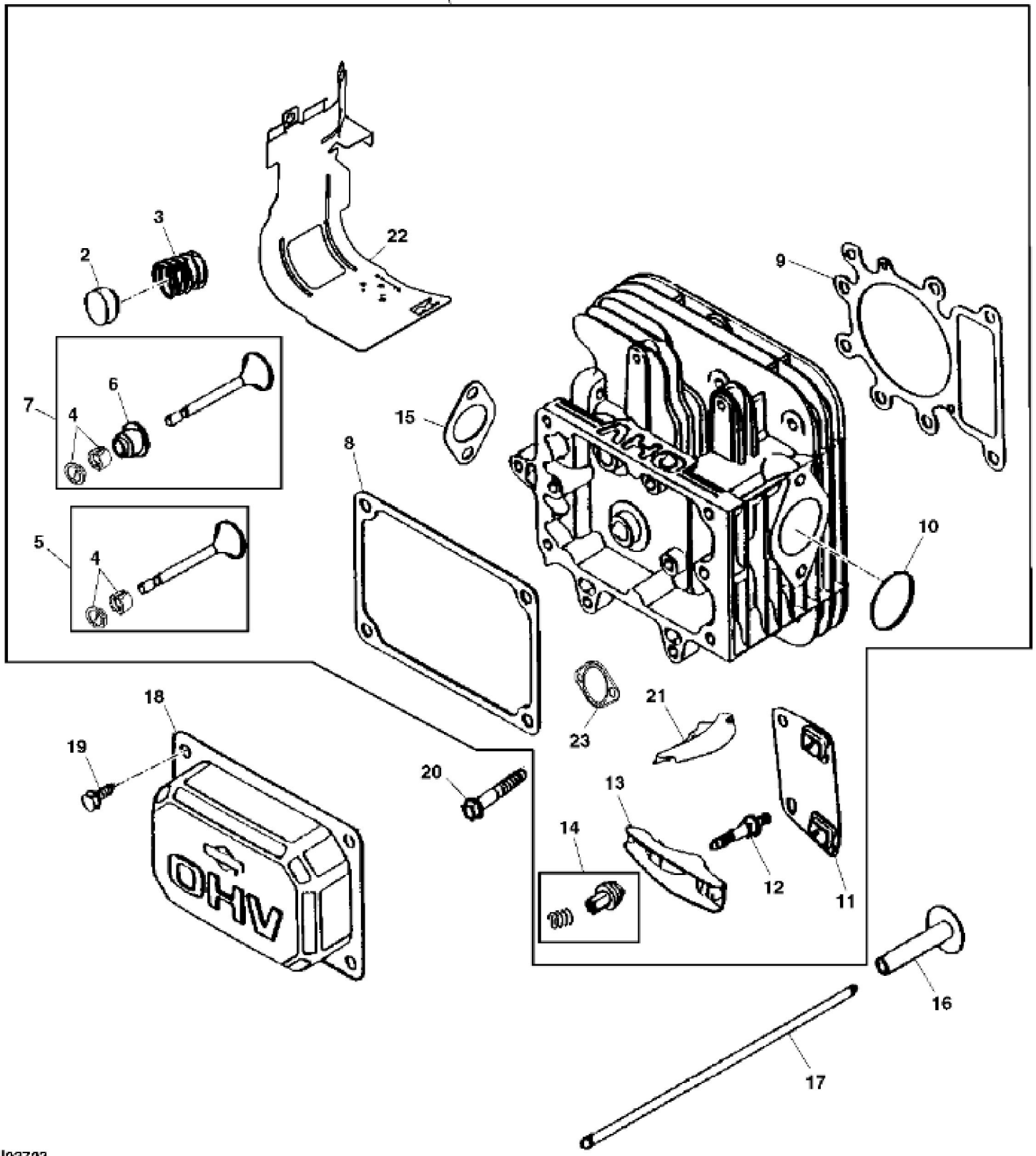
KEY	PART NO.	PART NAME	QTY	REMARKS	
29	19M7897	SCREW	2	M8 X 35, (ENGINE MOUNTING)	
30	AM130888	KIT	1	BUSHING/SEAL, (SUB LG291675S)	
31	LG291675S	SEAL	1		
..	AM128537	GASOLINE ENGINE	1	17 HP, (311777-0036-E1) (SUB AM133357)	
..	GY00138	GASOLINE ENGINE	1	17 HP, (311777-0143-E1) (SUB AM133357)	
..	AM133357	SHORT BLOCK ASSEMBLY	1	(SUB AM134602)	
..	AM134602	SHORT BLOCK ASSEMBLY	1	(NLA) (SUB FOR AM133357)	
..	LG692468	LABEL	1	NLA; Emission	



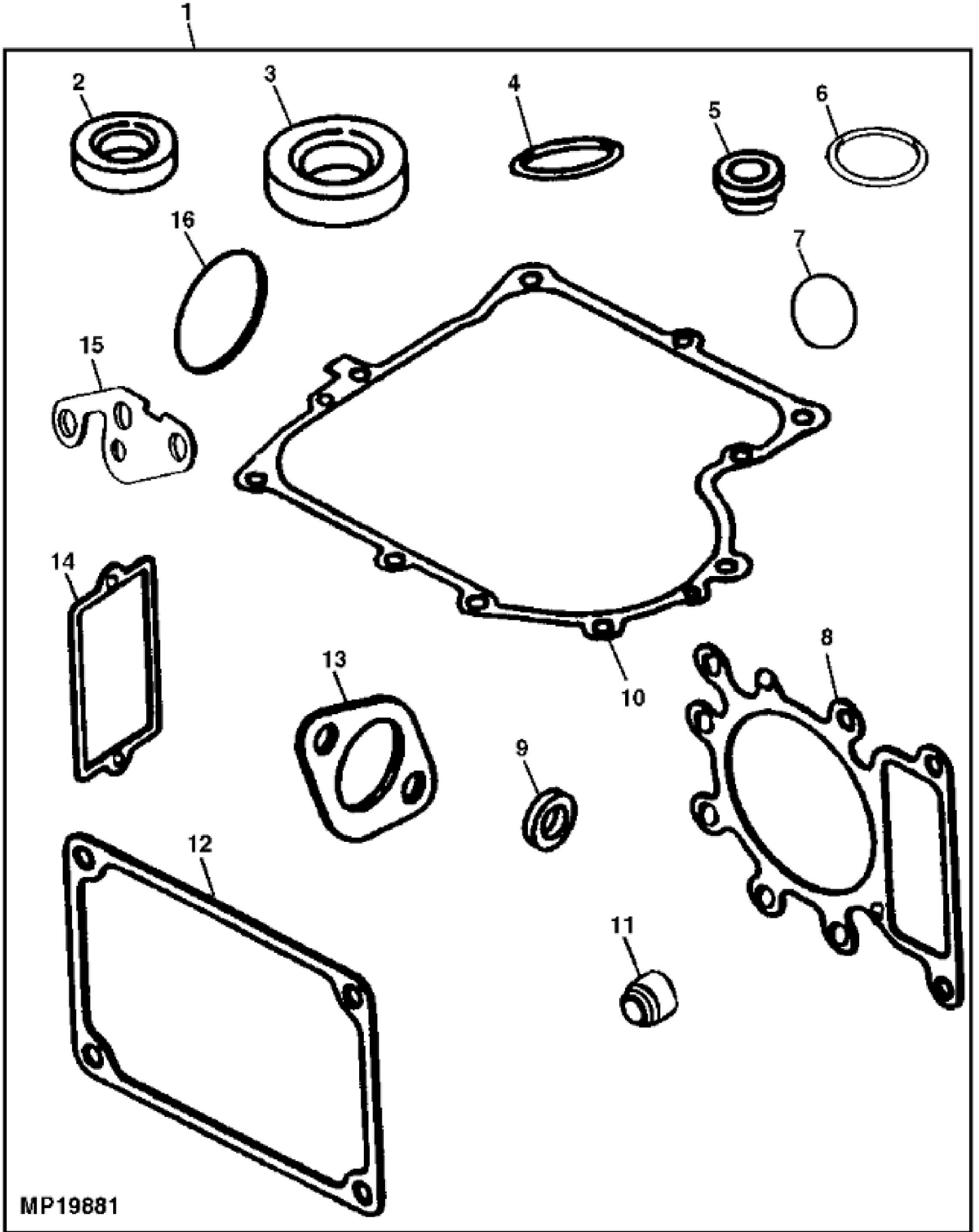
John Deere > Turf And Utility >TRACTOR, LAWN AND GARDEN >SCOTTS - TRACTOR, LAWN AND GARDEN >Scotts S1742 Lawn Tractor >20 ENGINE (17 HP) GU10247 >ST644081 - CRANKSHAFT, PISTON AND DIPSTICK

KEY	PART NO.	PART NAME	QTY	REMARKS
1	37H73	SCREW	1	
2	LG692014	FILLER CAP	1	NLA
3	LG270920	SEAL	1	
4	LG691398	TUBE	1	NLA
5	LG281370S	SEAL	1	
6	LG496415	TUBE	1	NLA; OIL FILLER (COMPLETE)
7	LG95190	SCREW	2	
8	LG499468	CONNECTING ROD	1	STD
8	M142301	CONNECTING ROD	1	.50 MM (.020") US, (SUB FOR LG499940)
9	LG499994	COUNTERWEIGHT	1	
10	LG691239	PIN FASTENER	1	NLA
11	LG222698S	SHAFT KEY	1	
12	LG691284	GEAR	1	TIMING
13	LG691639	KEY	1	
14	LG690136	CRANKSHAFT	1	(NLA)
15	LG691096	CAP SCREW	1	
16	LG691714	LINK	1	
17	AM135141	CAMSHAFT	1	(INCLUDES (2) LG690564) (SUB FOR LG693450 OR M150105)
18	LG691968	GEAR	1	
19	LG691299	LOCK	3	
20	LG690162	PISTON RING KIT	1	NLA; Std
20	LG690166	PISTON RING KIT	1	.50 MM (.020") OS, NLA
21	MIA11687	PISTON REPLACEMENT KIT	1	NLA; STD, (SUB FOR LG692271)
21	LG692273	PISTON REPLACEMENT KIT	1	.50 MM (.020") OS, NLA
22	LG498319	PISTON PIN	1	

1



KEY	PART NO.	PART NAME	QTY	REMARKS
1	MIA11468	CYLINDER HEAD	1	(SUB FOR AM132972 OR LG690188 OR MIA11079)
2	LG691843	CAP	2	
3	LG691279	SPRING	2	
4	LG499586	RETAINER	1	(SUB FOR LG691752 OR M144618)
5	MIA11214	EXHAUST VALVE	1	(SUB FOR MIA10688 OR AM134724 OR AM133877 OR AM132546 OR LG495856)
6	LG690968	SEAL	1	
7	MIA10689	INTAKE VALVE	1	(SUB FOR LG495857 OR M149939)
8	LG272475S	GASKET	1	ROCKER COVER
9	MIU11490	ENGINE CYLINDER HEAD GASKET	1	(SUB FOR M150400 OR LG692410)
10	LG692138	O-RING	1	
11	LG690822	GUIDE	1	
12	LG691095	STUD	2	
13	LG691751	ROCKER ARM	2	
14	LG691986	ADJUSTER	2	
15	M144311	GASKET	1	INTAKE
16	LG690564	TAPPET	2	
17	LG692003	PUSH ROD	1	INTAKE
17	LG692011	PUSH ROD	1	EXHAUST
18	MIU12708	COVER	1	(INCLUDES LG272475S) (SUB FOR LG225521 OR LG692492 OR MIU11055)
19	37H73	SCREW	4	
20	LG690360	BOLT	8	
21	M152565	GUARD	1	FLYWHEEL, (USE WITH MIA11079)
22	MIU11713	SHIELD	1	CYLINDER
23	LG692236	GASKET	1	EXHAUST



Thank you so much for reading.
Please click the “Buy Now!”
button below to download the
complete manual.



After you pay.

You can download the most
perfect and complete manual in
the world immediately.

Our support email:

ebooklibonline@outlook.com