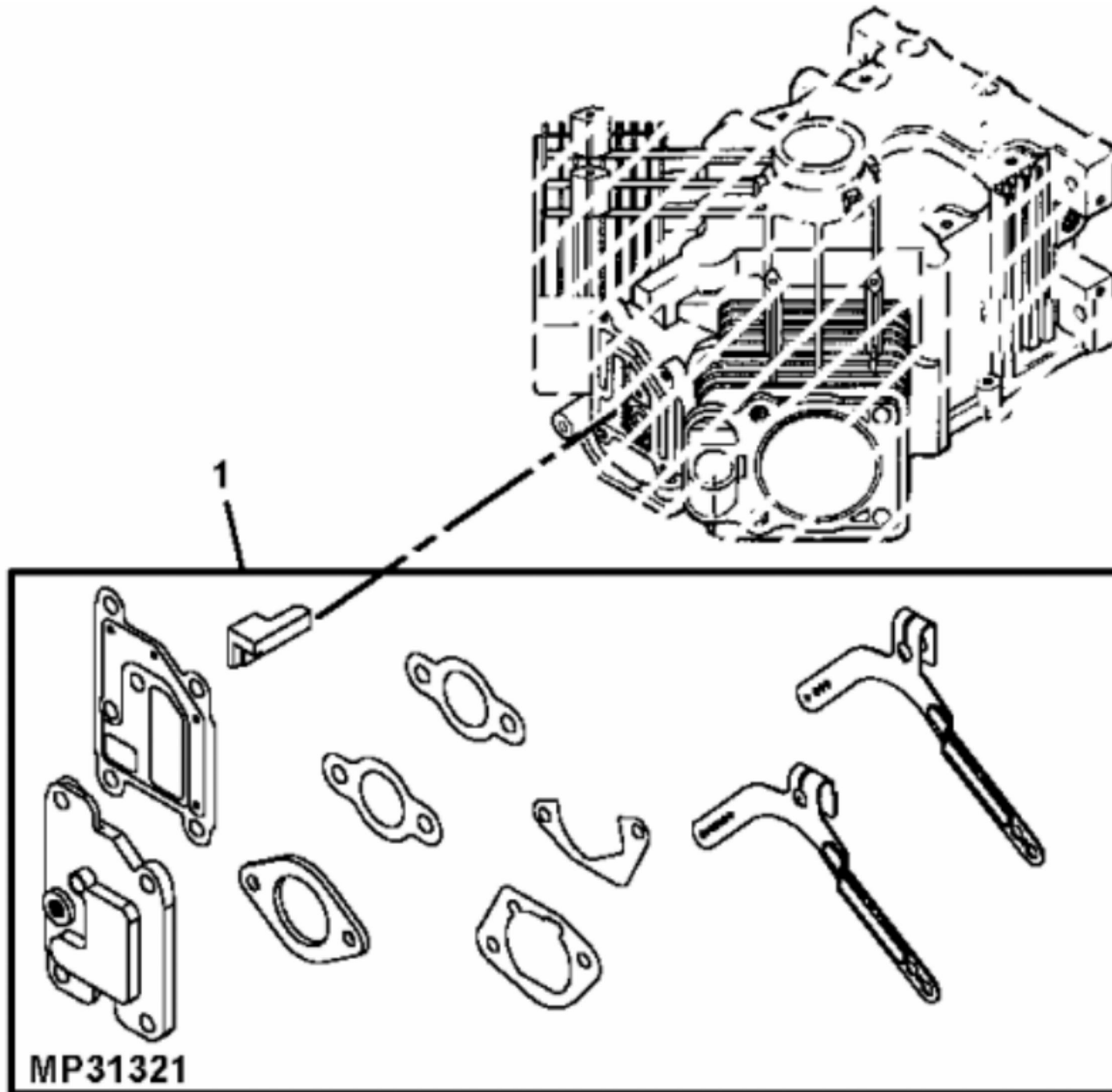


MP28879

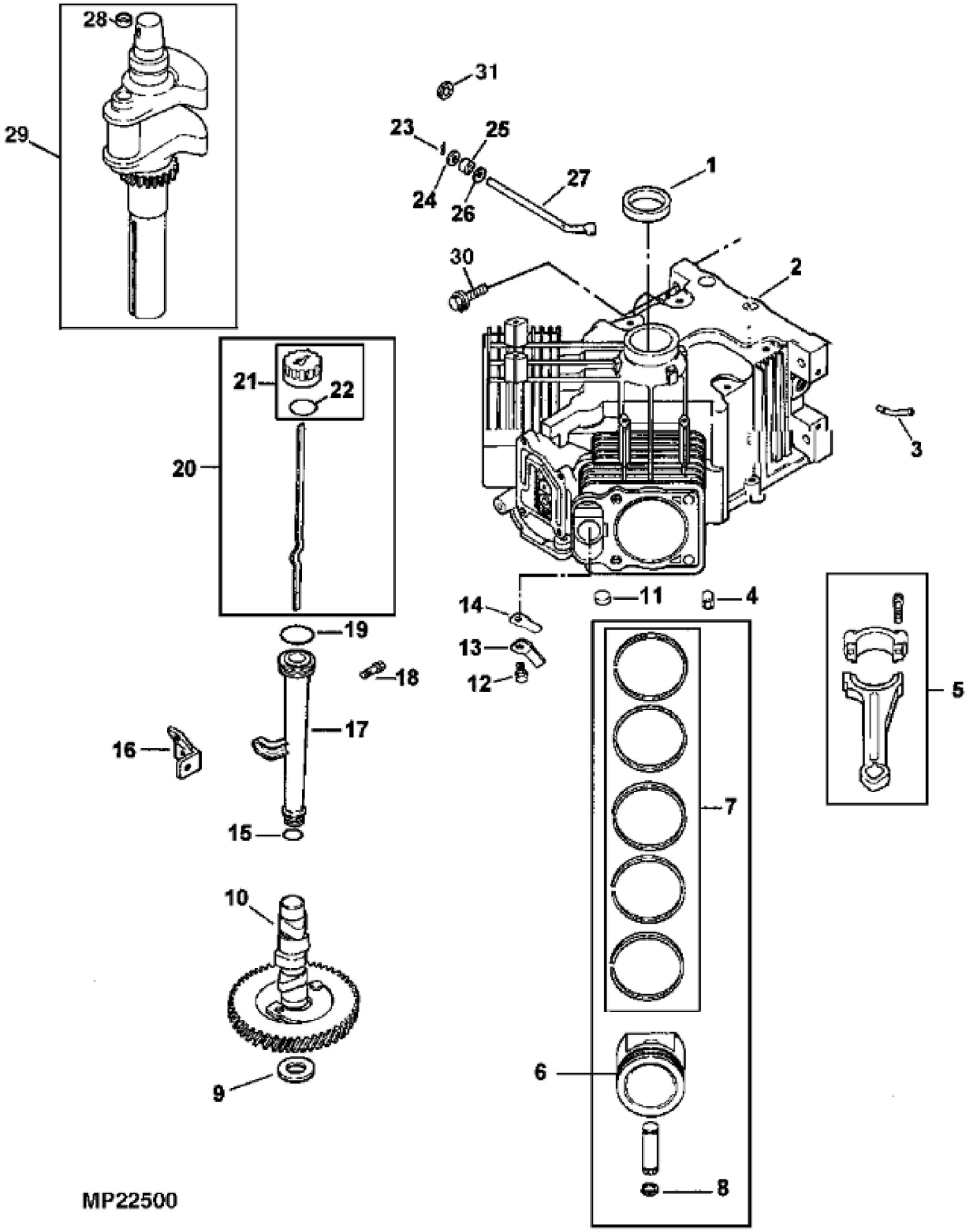
KEY	PART NO.	PART NAME	QTY	REMARKS
1	M148338	GROMMET	1	(SUB FOR M134911)
1	MIU13209	GROMMET	1	USE WITH MIA12725
2	M132350	SCREW	4	
3	M133067	O-RING	2	
4	AM134352	VALVE COVER	1	(WITH BREATHER) (RH CYLINDER ONLY) (SUB FOR AM126264)
5	AM126263	CYLINDER HEAD	1	(RH) (ENGINES MARKED CV25S-69525, CV25S-69542, AND CV25S-69544)
5	AM130711	CYLINDER HEAD	1	NLA;(RH) (ENGINE MARKED CV25S-69539 AND CV730-0006)
6	AM107043	RETAINER	4	
7	M92203	CAP	4	
8	M132352	SPRING	4	
9	M43123	RETAINER	4	
10	M146775	SEAL	2	NLA; ORDER MIU14137
10	MIU14137	SEAL	2	SUB FOR M92202
10	M92202	SEAL	2	
11	M132353	INTAKE VALVE	2	(STD)
11	M132354	INTAKE VALVE	2	.25 MM (.010") OS
12	M132355	EXHAUST VALVE	2	(STD)
12	M132356	EXHAUST VALVE	2	.25 MM (.010") OS
13	MIU12491	GASKET	1	(SUB FOR M132366 OR M150647)
14	M148331	COVER	1	(SUB FOR M138823)
15	AM126260	KIT	1	BREATHER
16	37M7131	SCREW	4	M6 X 20
17	MIU13278	VALVE LIFTER	4	SUB FOR M131283 or M137271 or MIU11034 or MIU12989
18	M132357	PUSH ROD	4	(A)
19	AM134351	ENGINE CYLINDER HEAD GASKET	2	NLA; ORDER (2) MIU13276; SUB FOR M137581
19	MIU13276	ENGINE CYLINDER HEAD GASKET	2	
20	AM126261	CYLINDER HEAD	1	(LH) (ENGINES MARKED CV25S-69525, CV25S-69542, AND CV25S-69544)
20	AM130710	CYLINDER HEAD	1	(LH) (ENGINE MARKED CV25S-69539 AND CV730-0006)
21	19M7811	SCREW	8	M10 X 90, (ENGINES MARKED CV25S-69525, CV25S-69542, AND CV25S-69544) (SUB FOR M144706 OR M137539)
22	M131133	ROCKER ARM	4	(A)
23	MIU11263	PIVOT	4	(A) (SUB FOR M132359)

KEY	PART NO.	PART NAME	QTY	REMARKS
24	19M8290	SCREW	4	M6 X 35, (SUB FOR M120564)
25	AM134290	VALVE COVER	1	(SUB FOR AM124983)
26	M132363	STRAP	1	NLA; ORDER MIU12948
26	MIU12948	STRAP	1	
27	M143942	STUD	8	(ENGINE MARKED CV25S-69539 AND CV730-0006)
28	M143943	WASHER	8	(ENGINE MARKED CV25S-69539 AND CV730-0006)
29	M143944	NUT	8	(ENGINE MARKED CV25S-69539 AND CV730-0006)
30	MIU11342	HOSE	1	(ENGINES MARKED CV25S-69525, CV25S-69542, AND CV25S-69544) (SUB FOR M134915)
31	TY22462	CLAMP	2	(ENGINES MARKED CV25S-69525, CV25S-69542, AND CV25S-69544)
32	MIU11341	HOSE	1	(ENGINES MARKED CV25S-69525, CV25S-69542, AND CV25S-69544) (SUB FOR M134917)
33	M134916	FITTING	1	(ENGINES MARKED CV25S-69525, CV25S-69542, AND CV25S-69544)
34	HOSE	1	
35	FITTING	1	
36	FUEL LINE	1	
37	M134914	SPACER	1	
38	M134913	BRACKET	1	
39	M134912	STRAP	1	
40	MIU14033	SCREW	2	
40	MIU12950	SCREW	2	USE WITH MIA12725
41	AM126265	SEPARATOR KIT	1	NLA; ORDER MIA12725; Breather Separator
41	MIA12725	SEPARATOR KIT	1	
42	MIU11344	HOSE	1	BREATHER (ENGINE MARKED CV25S-69539 AND CV730-0006) (SUB FOR M148324 OR MIU10956)
..	AM125389	VALVE TRAIN KIT	1	VALVE TRAIN (INCLUDES PARTS MARKED (A))



John Deere > Turf And Utility > TRACTOR, LAWN AND GARDEN > S2554 - TRACTOR, LAWN AND GARDEN > Scotts S2554 Garden Tractor > 20 ENGINE GU20277 > ST644135 - SEPARATOR PLUG KIT (- 190001)

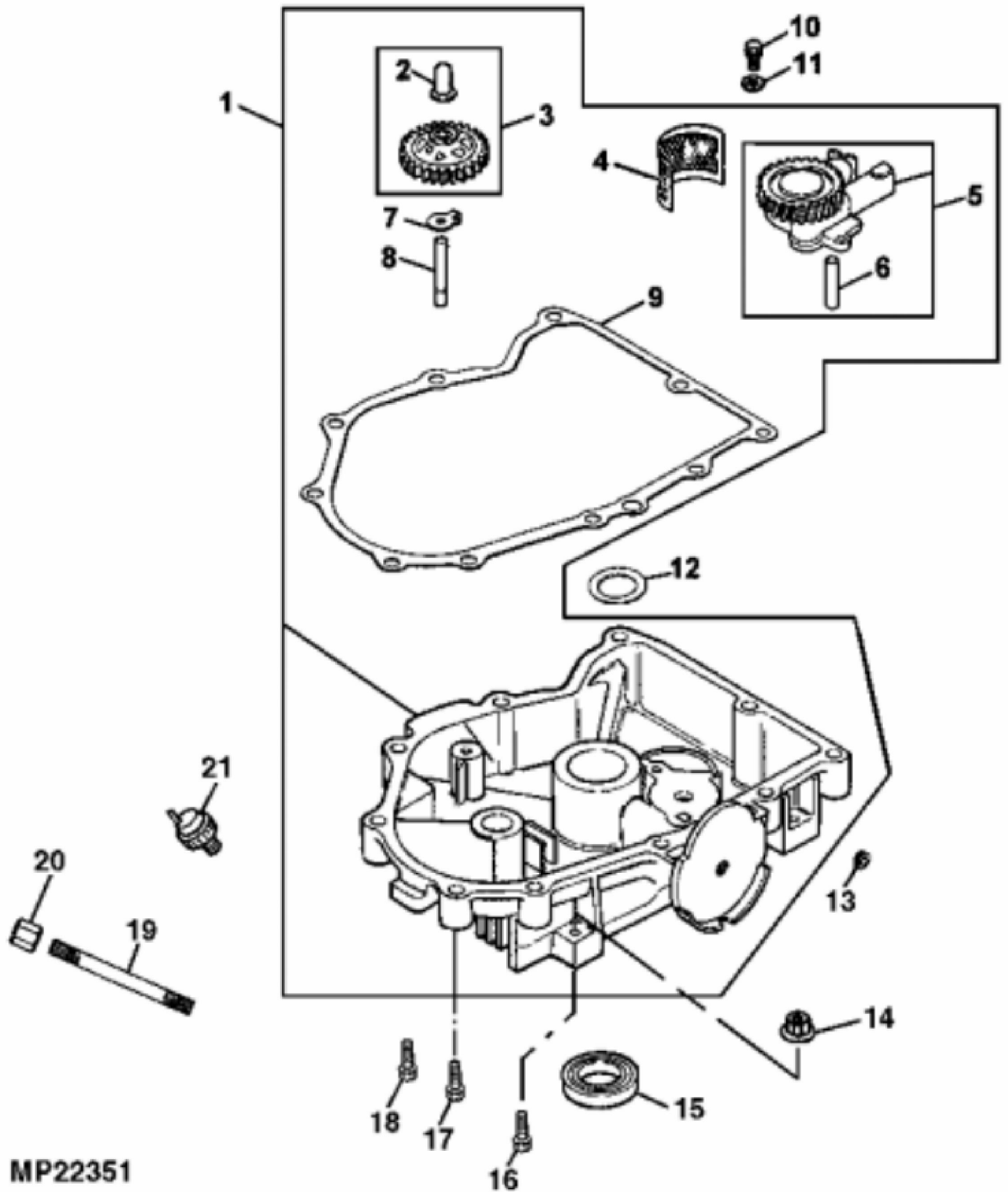
KEY	PART NO.	PART NAME	QTY	REMARKS	
1	AM133294	SEPARATOR KIT	1	NLA; Separator Plug	



MP22500

KEY	PART NO.	PART NAME	QTY	Serial No.	REMARKS
1	MIU11539	SEAL	1		(SUB FOR M132338)
2	AM130713	CYLINDER BLOCK	1		
3	M134898	FITTING	1		
4	MIU11251	DOWEL PIN	6		(SUB FOR M132339 OR M144516)
5	MIU12971	CONNECTING ROD	2		ORDER MIU13923; STD; SUB FOR M134452 OR MIU11256
5	MIU13923	CONNECTING ROD	2		ORDER MIA12812
5	MIA12812	CONNECTING ROD	1		
5	MIA11130	CONNECTING ROD	2		.25 MM (.010") US, (SUB FOR M134453 OR MIA10907)
6	AM125386	PISTON REPLACEMENT KIT	2		(STD) (ENGINE MARKED CV25S-69525) (SUB MIA11128)
6	AM130423	PISTON REPLACEMENT KIT	2		(STD) (ENGINES MARKED CV25S-69542, CV25S-69544, CV25S-69539 AND CV730-0006) (SUB MIA11128)
6	MIA11128	PISTON REPLACEMENT KIT	2		
7	MIA11277	PISTON RING KIT	1		(STD) (ENGINE MARKED CV25S-69525) (SUB FOR AM125387) (ORDER MIA11128)
7	M143344	PISTON RING KIT	1		(STD) (ENGINES MARKED CV25S-69542, CV25S-69544, CV25S-69539 AND CV730-0006) (SUB MIA11129)
7	MIA11129	RING	1		(USE WITH MIA11128)
8	M132341	RETAINER	2		
9	M118585	SHIM	AR		RED
9	M118584	SHIM	AR		BLACK
9	M93955	SOLID SHIM	AR		WHITE
9	M97015	SOLID SHIM	AR		BLUE
9	M96817	SOLID SHIM	AR		YELLOW
9	M96818	SOLID SHIM	AR		GREEN
9	M96819	SOLID SHIM	AR		GRAY
10	M137492	CAMSHAFT	1		(SUB FOR M132342)
10	AM132741	CAMSHAFT	1		(ENGINE MARKED CV730-0006 ONLY)
11	M76215	PLUG	1		
12	M93483	SCREW	2		(SUB FOR M138311)
13	M134899	RETAINER	2		
14	M134900	BREATHER	2		
15	M92193	O-RING	1		
16	M134901	BRACKET	1		

KEY	PART NO.	PART NAME	QTY	Serial No.	REMARKS
17	MIU11957	TUBE	1		(SUB FOR M92192)
18	MIU14033	SCREW	1		
19	M92194	O-RING	1		
20	AM126257	DIPSTICK	1		
21	AM124450	FILLER CAP	1		
22	M148124	O-RING	1		
23	M126396	QUICK LOCK PIN	1	____-025080	
24	M93418	WASHER	1	____-025080	
24	M143936	WASHER	1	025081-____	
25	M92079	SEAL	1	____-025080	
25	M143938	SEAL	1	025081-____	ORDER MIU13503
25	MIU13503	SEAL	1		
25	M143970	SEAL	1		(ENGINE MARKED CV730-0006 ONLY)
26	M96520	WASHER	1	____-025080	
26	M143939	WASHER	1	025081-____	
27	M132343	SHAFT	1	____-025080	NLA; Governor Cross
27	M143940	SHAFT	1	025081-____	GOVERNOR CROSS
27	M148328	SHAFT	1		GOVERNOR CROSS (ENGINE MARKED CV730-0006 ONLY)
28	SEAL	1		
29	AM126256	CRANKSHAFT	1		28.6 MM (1-1/8"), (ENGINES MARKED CV25S-69525, CV25S-69542, AND CV25S-69544)
29	AM128620	CRANKSHAFT	1		25.4 MM (1"), (ENGINES MARKED CV25S-69539 AND CV730-0006) (SUB MIA11970)
30	19M7897	SCREW	4		M8 X 35
31	M143941	RING	1	025081-____	RETAINER
..	ENGINE	1		25HP, (MARKED CV25S-69525) (SUB AM130713)
..	ENGINE	1		25HP, (MARKED CV25S-69542) (SUB AM130713)
..	ENGINE	1		25HP, (MARKED CV25S-69544) (SUB AM129933)
..	AM129933	ENGINE	1		25HP, (MARKED CV25S-69539)
..	AM132672	ENGINE	1		25HP, (MARKED CV730-0006)
..	AM117019	GEAR KIT	1		NLA



MP22351

Thank you so much for reading.
Please click the “Buy Now!”
button below to download the
complete manual.



After you pay.

You can download the most
perfect and complete manual in
the world immediately.

Our support email:

ebooklibonline@outlook.com