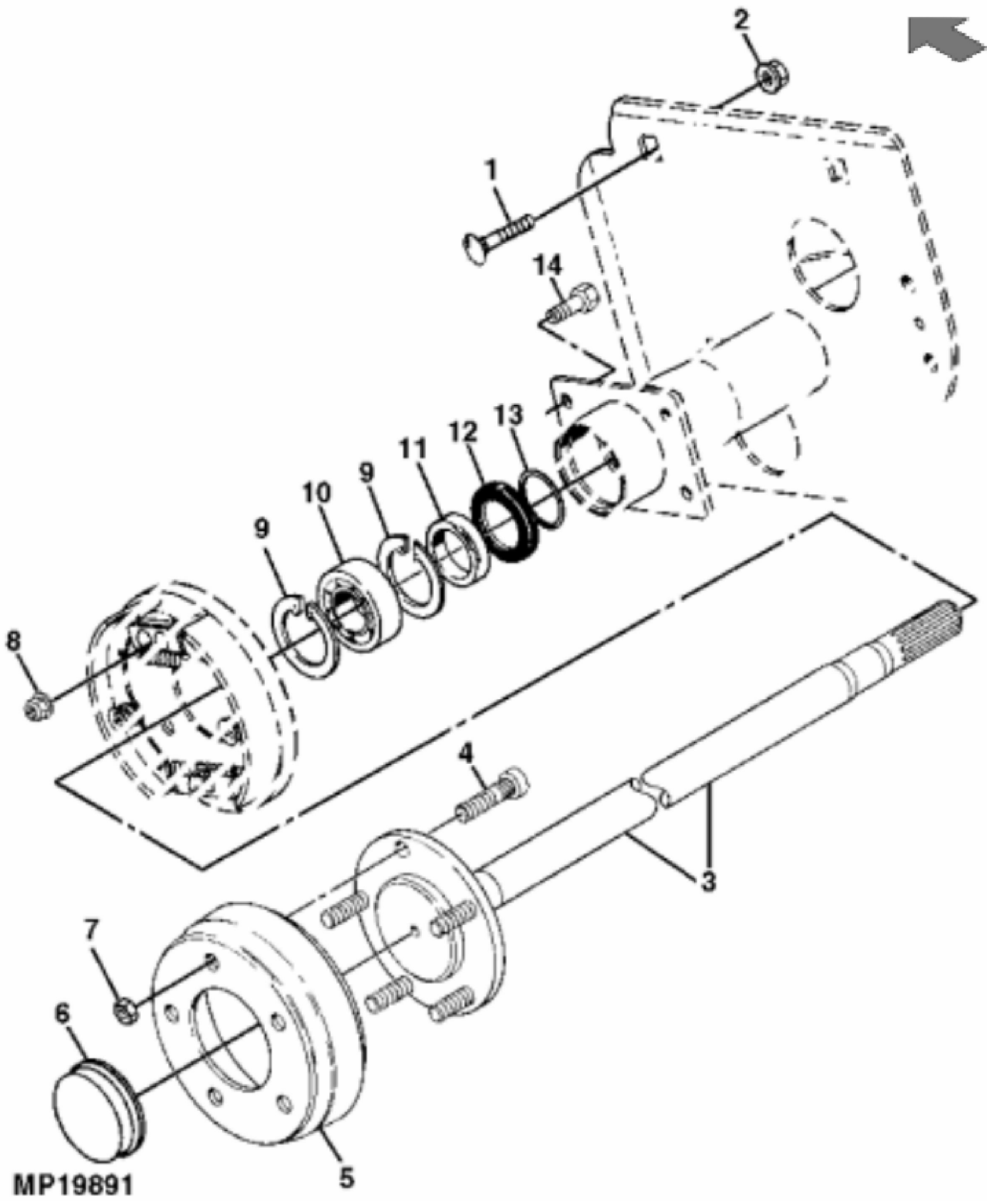


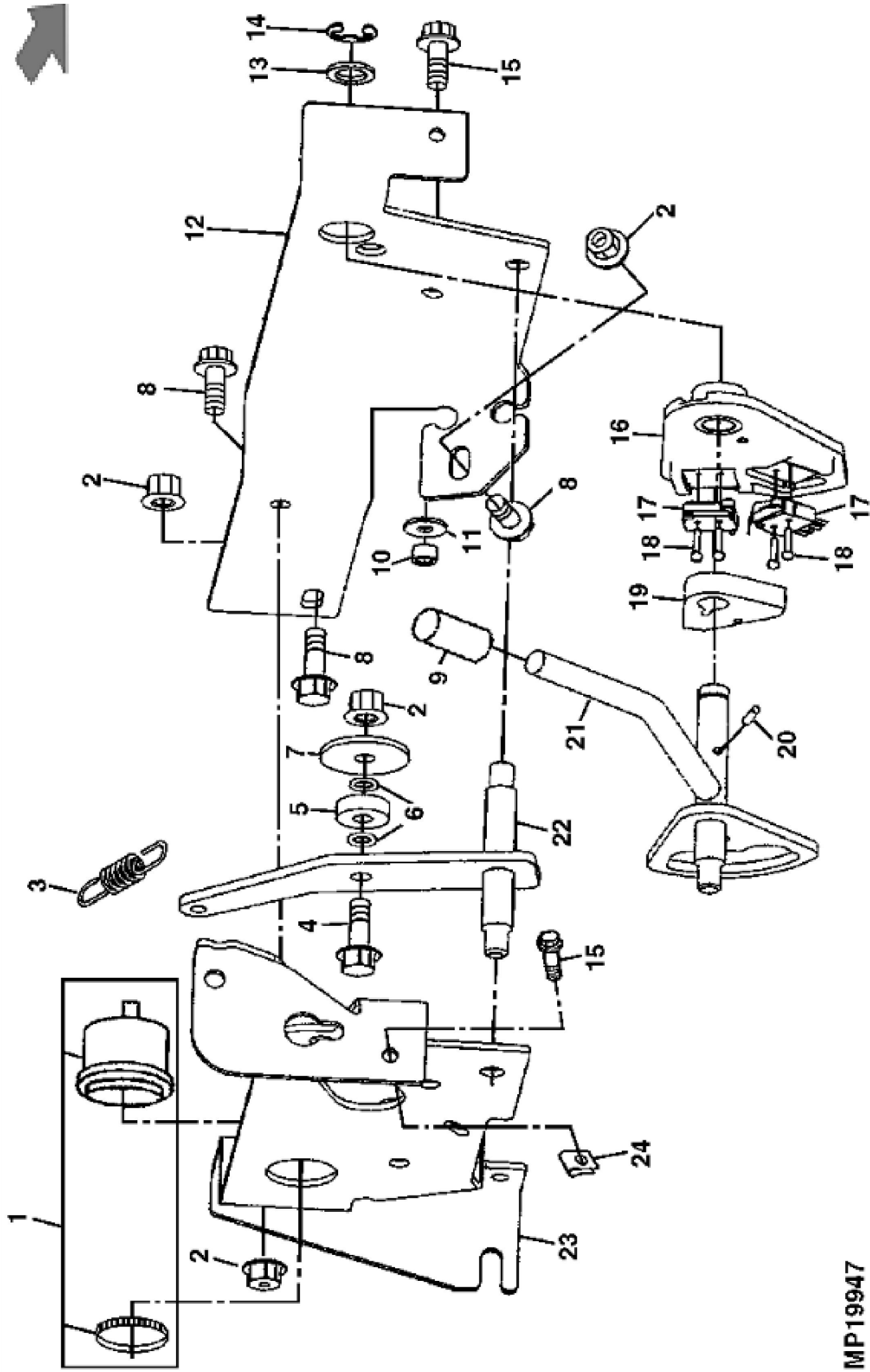


KEY	PART NO.	PART NAME	QTY	REMARKS
1	AM127765	GEAR KIT	1	INPUT GEAR
2	M138174	SEAL	1	
3	M138167	SNAP RING	3	
4	M138166	O-RING	3	
5	M138178	BALL BEARING	1	
6	M138173	O-RING	1	
7	M138164	SHAFT	1	(A) INPUT
8	M138165	BALL BEARING	1	
9	M143158	STRAP	1	TORQUE, (SUB FOR M139689)
10	24M7293	WASHER	6	6.500 X 13 X 1.600 mm
11	12H302	LOCK WASHER	6	1/4"
12	19H2571	CAP SCREW	6	1/4" X 1-3/8"
13	M132482	BALL BEARING	2	
14	AM127764	SEAL KIT	1	(SUB MIU10757)
15	PM37485	ADHESIVE	AR	ANAEROBIC RETAINING COMPOUND, (SUB FOR TY15969 OR M138177)
16	M138168	PLUG	2	(SUB MIU10757)
17	AM127759	HOUSING	1	AXLE
18	.....	BEARING CAP	2	DIFFERENTIAL
19	M138158	BOLT	4	BEARING CAP
20	M132483	BALL BEARING	2	
21	M143695	BOLT	4	(C) (SUB FOR M132488)
22	MIA10431	DIFFERENTIAL	1	(INCLUDES PARTS MARKED (C)) (SUB FOR AM130610 OR AM128844)
23	TY25518	SEALANT	AR	RTV SILICONE, (SUB FOR TY15705, TY16135 AND TY25188)
24	M137731	SCREW	10	
25	AM128845	COVER KIT	1	COVER PLATE
26	M140447	PLATE	1	DIFFERENTIAL COVER
27	M145134	DRAIN PLUG	1	
28	M143662	LOCK NUT	4	(C) (SUB FOR M132489)
29	M141831	GEAR	1	(A) FINAL DRIVE, (SUB FOR M138159)
30	M138162	SHAFT	1	(A) INTERMEDIATE GEAR
31	M138163	O-RING	2	
32	M140449	ELBOW FITTING	1	(USE WITH AM126633 OR AM129751)
32	M132499	ELBOW FITTING	1	(USE WITH AM130557)

KEY	PART NO.	PART NAME	QTY	REMARKS
33	R56101	CLIP	1	
34	.....	HOSE	1	MF M175325; Vent
35	19M7790	SCREW	1	M12 X 35
35	19M8162	SCREW	1	M10 X 40
36	R44302	TIE BAND	1	
37	14M7401	LOCK NUT	1	M12, USE WITH 19M7790
37	14M7400	LOCK NUT	1	M10, USE WITH 19M8162
38	24M7178	WASHER	3	10.500 X 30 X 2.500 mm
39	AM129753	GEAR KIT	1	(Not Illustrated) INCLUDES PARTS MARKED (A); SUB FOR AM127762, Gear
40	MIA13157	BEARING KIT	1	(Not Illustrated) SUB FOR AM127763
41	AM130557	TRANSAXLE	1	(Not Illustrated) (SUB FOR AM126633 OR AM129751)

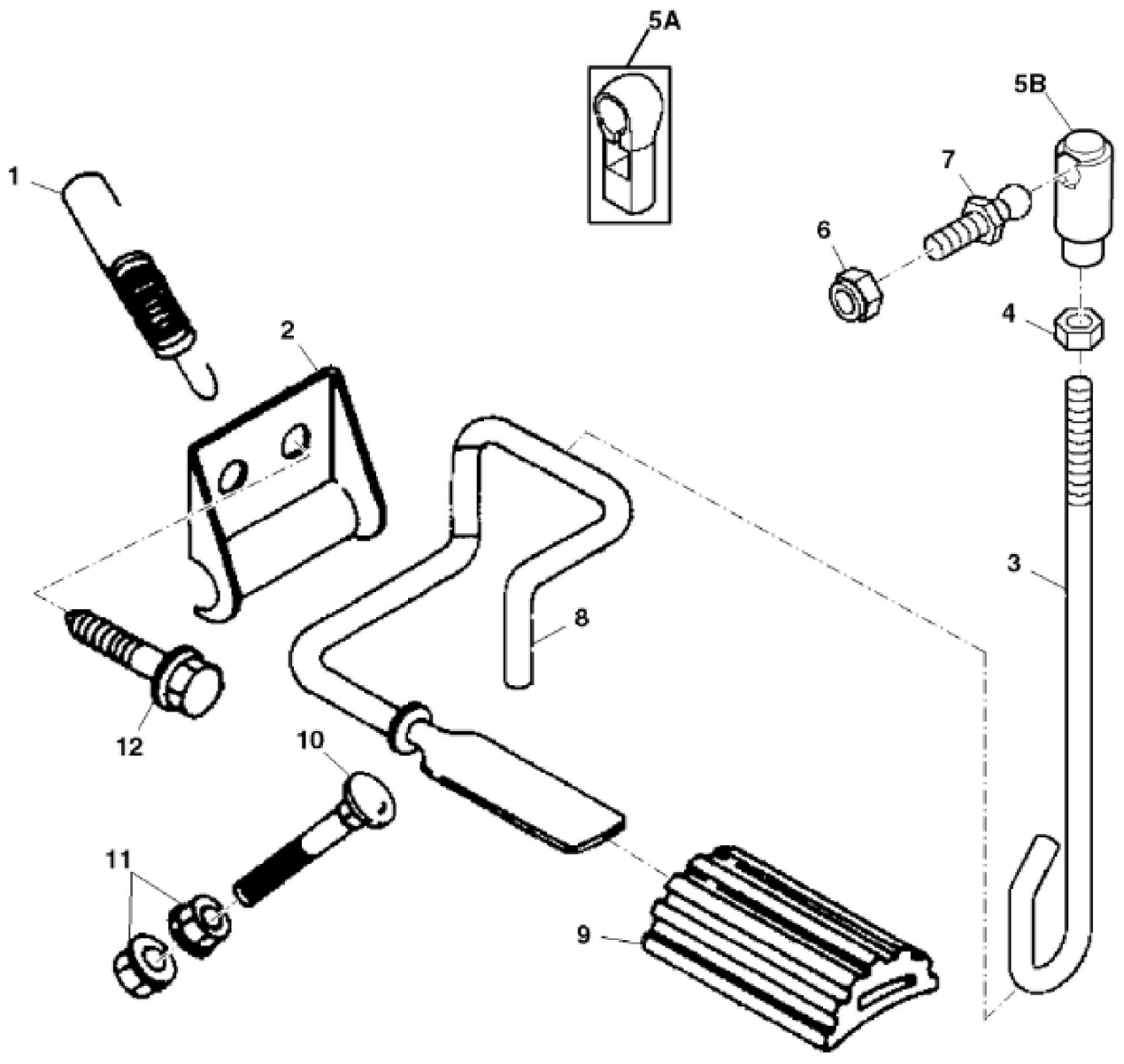


KEY	PART NO.	PART NAME	QTY	REMARKS	
1	03M7198	BOLT	6	M12 X 30	
2	14M7466	LOCK NUT	6	M12	
3	AM127760	SHAFT	1	AXLE, LH	
3	AM127761	SHAFT	1	AXLE, RH	
4	M137730	WHEEL BOLT	10		
5	M132513	BRAKE DRUM	2		
6	M123584	PLUG	2		
7	JD2351	NUT	10	WHEEL BOLT	
8	M132512	LOCK NUT	8		
9	M132508	SNAP RING	4		
10	M132510	BALL BEARING	2	AXLE	
11	M132509	RING	2		
12	M138176	SEAL	2	AXLE	
13	M132518	SNAP RING	2		
14	M132507	SCREW	8		



MP19947

KEY	PART NO.	PART NAME	QTY	REMARKS
1	AM126636	AUDIBLE WARNING ALARM	1	
2	14M7396	LOCK NUT	5	M8
3	M141788	EXTENSION SPRING	1	
4	19M7868	SCREW	1	M8 X 30
5	AM102726	BALL BEARING	1	
6	24M7313	WASHER	2	8.100 X 12 X 1.200 mm
7	24H1291	WASHER	1	21/64" X 1-15/32" X 7/64"
8	19M7866	SCREW	4	M8 X 20
9	M126723	KNOB	1	
10	14M7397	LOCK NUT	1	M6
11	24M7139	WASHER	1	6.400 X 18 X 1.600 mm
12	M136182	SUPPORT	1	SHIFT, LH
13	24M7044	WASHER	1	13 X 20 X 2 mm
14	R26871	SNAP RING	1	
15	19M7862	SCREW	3	M6 X 20
16	M136181	SUPPORT	1	SHIFT SWITCH
17	AM126617	SWITCH	2	SHIFT
18	M135540	SCREW	4	SHIFT SWITCH
19	M136180	CAM	1	SHIFT SWITCH
20	34M7129	SPRING PIN	1	3 X 16 mm
21	AM126562	HANDLE	1	
22	AM123161	ARM	1	CAM FOLLOWER
23	M126433	SUPPORT	1	SHIFT, RH (MAY DIFFER IN APPEARANCE)
24	M84972	NUT	2	U-TYPE



Thank you so much for reading.  
Please click the “Buy Now!”  
button below to download the  
complete manual.



After you pay.

You can download the most  
perfect and complete manual in  
the world immediately.

Our support email:

[ebooklibonline@outlook.com](mailto:ebooklibonline@outlook.com)