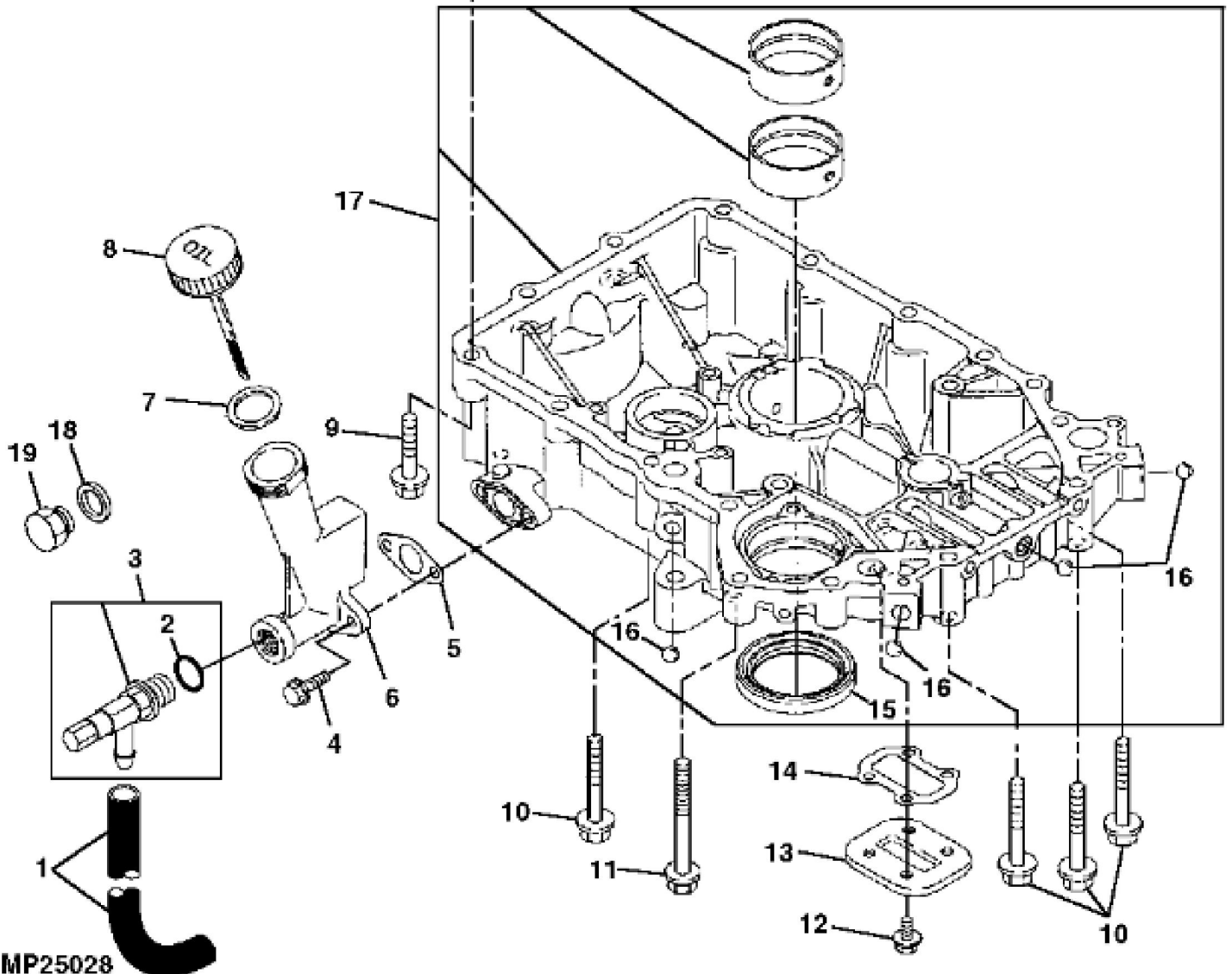
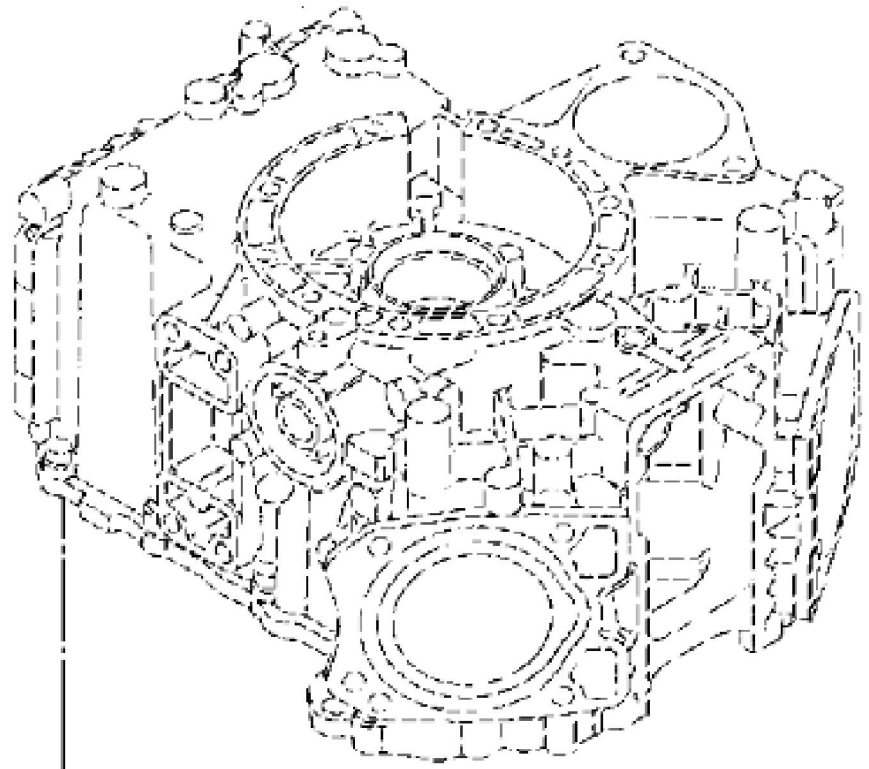


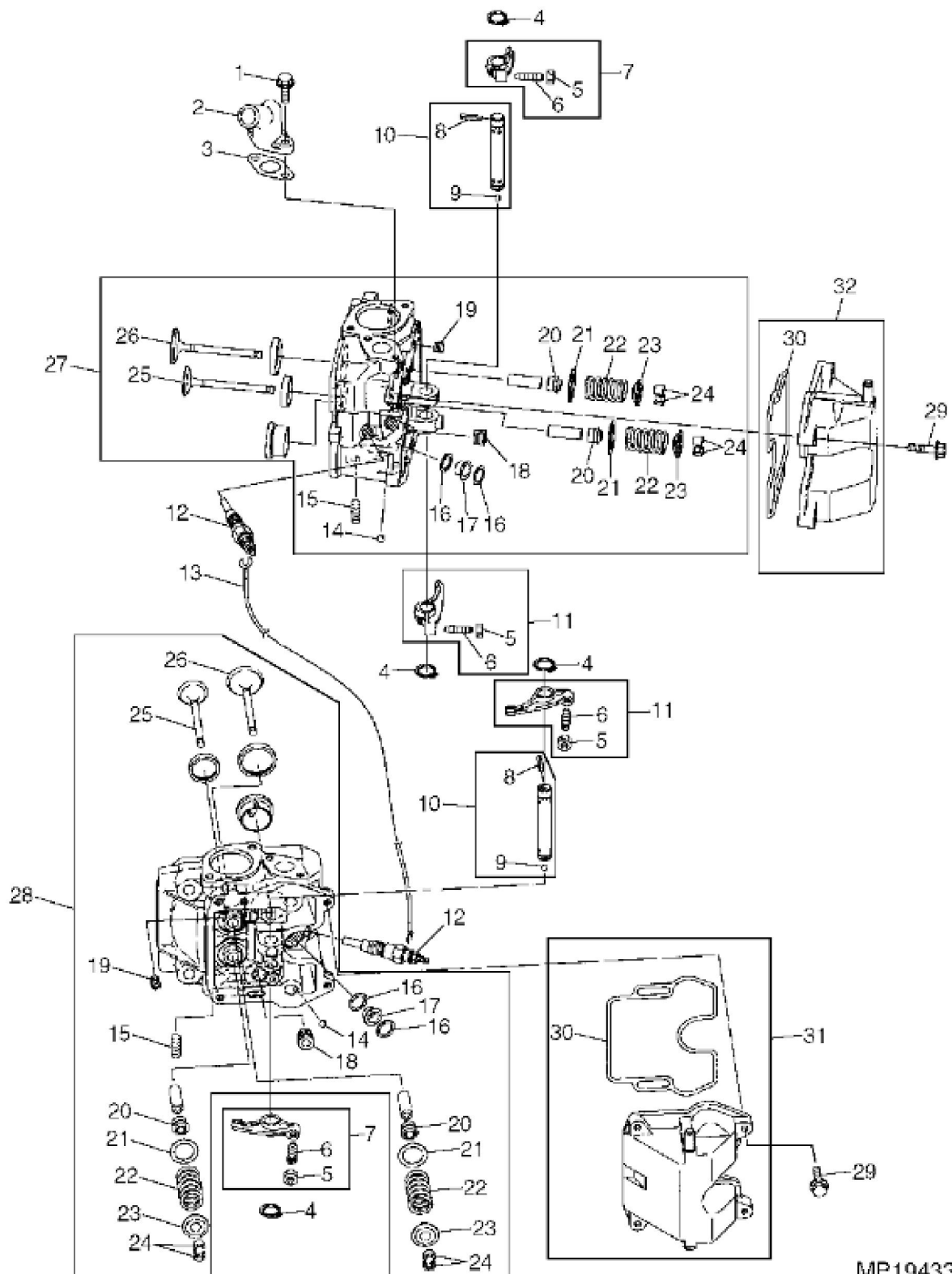
MP22990

KEY	PART NO.	PART NAME	QTY	REMARKS	
1	M807054	BRACKET	2	ENGINE LIFT	
2	19M7865	SCREW	2	M8 X 16	
3	M808737	GROMMET	4		
4	AM880023	COVER	1		
5	M808738	BUSHING	4		
6	19M7775	SCREW	4	M6 X 16	
7	M807025	PIPE	6		
8	M810026	ENGINE CYLINDER HEAD GASKET	2	(SUB FOR M807212)	
9	M807023	BOLT	4		
10	M807022	BOLT	4		
11	M809545	O-RING	1		
12	M802255	PIN	2		
13	M809546	O-RING	2		
14	M809547	O-RING	1		
15	M807021	PLUG	2		
16	H836R	BALL	2		
17	M807020	SEAL	1		
18	MIA880652	CYLINDER BLOCK	1	(SUB FOR AM880603)	
19	M809544	O-RING	2		
..	AM124283	DIESEL ENGINE	1	(2V78C-JB)	



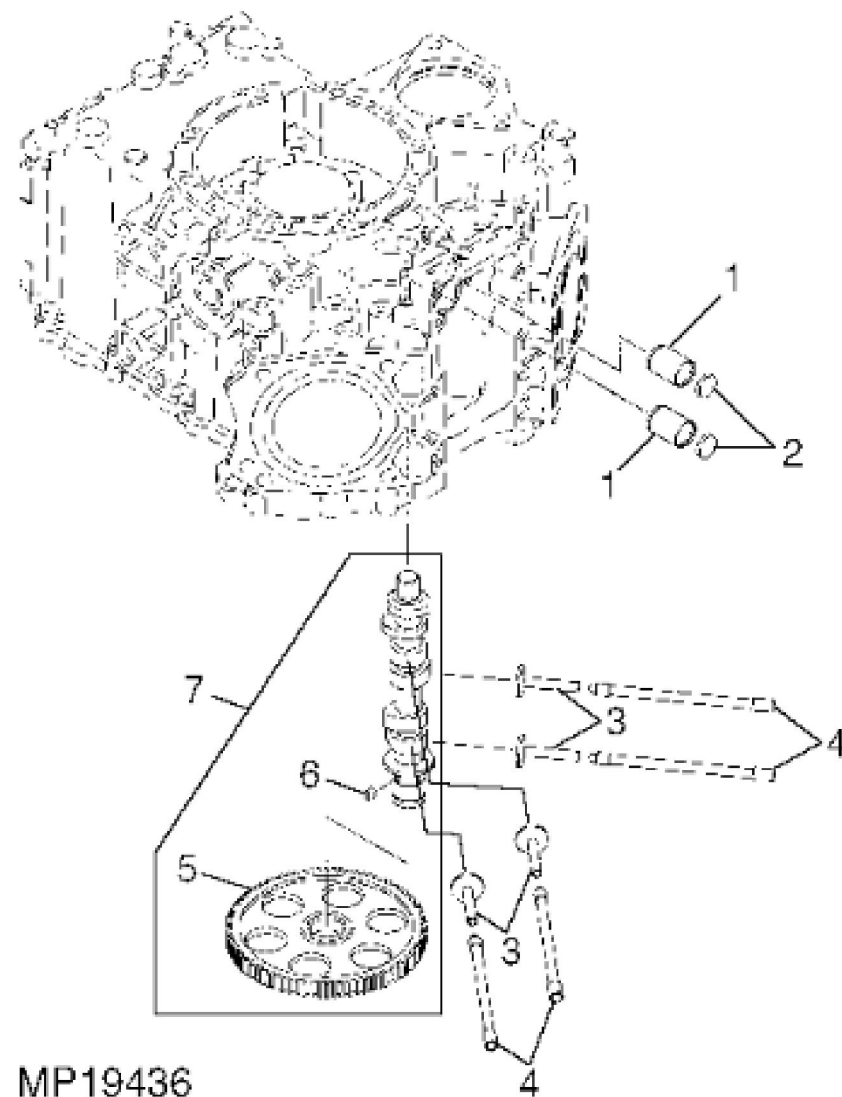
MP25028

KEY	PART NO.	PART NAME	QTY	REMARKS
1	.....	HOSE	1	MAKE FROM TY22562; Oil Drain
2	51M7042	O-RING	1	13.300 X 2.200 mm
3	AM115362	DRAIN VALVE	1	
4	19M7862	SCREW	2	M6 X 20, SUB FOR M87820
5	M807073	GASKET	1	
6	M807136	GUIDE	1	Dipstick
7	M807032	GASKET	1	
8	M807031	FILLER CAP	1	
9	19M8317	SCREW	10	M8 X 40
10	19M7979	SCREW	4	M8 X 55
11	CH19091	BOLT	1	
12	19M7774	SCREW	4	M6 X 12
13	M807026	COVER	1	
14	M807027	GASKET	1	
15	M807030	SEAL	1	
16	H836R	BALL	4	
17	AM879037	GEAR CASE	1	NLA
18	M806433	WASHER	1	
19	T111565	PLUG	1	



MP19433

KEY	PART NO.	PART NAME	QTY	REMARKS
1	19M7862	SCREW	2	M6 X 20, (SUB FOR M87820)
2	M807072	ELBOW FITTING	1	
3	M807073	GASKET	1	
4	M87818	SNAP RING	4	
5	14M7194	NUT	4	M6
6	M87841	SCREW	4	
7	AM880207	ARM	2	ROCKER A
8	CH11496	PIN	2	
9	R63075	BALL	2	
10	AM879043	SHAFT	2	
11	AM880208	ARM	2	ROCKER B
12	M800057	GLOW PLUG	2	
13	M807169	ELECTRICAL CONNECTOR ASSY	1	
14	400R	BALL	2	
15	M808108	STUD	2	
16	M89135	GASKET	4	
17	M89134	PACKING	2	
18	CH10335	PLUG	2	
19	M807062	SCREW	2	
20	M807068	SEAL	4	NLA; ORDER MIU802009
20	MIU802009	SEAL	4	
21	M807069	RETAINER	4	
22	M807065	SPRING	4	
23	M807066	RETAINER	4	
24	AM880005	RETAINER	4	VALVE (PACKAGE OF 2 HALVES)
25	M807064	EXHAUST VALVE	2	
26	M807063	INTAKE VALVE	2	
27	AM880599	CYLINDER HEAD	1	(NO. 2)
28	AM880598	CYLINDER HEAD	1	(NO. 1)
29	M87869	BOLT	2	
30	M807078	GASKET	2	
31	AM879046	VALVE COVER	1	(HEAD NO. 1)
32	AM879047	VALVE COVER	1	(HEAD NO. 2)



MP19436

Thank you so much for reading.  
Please click the “Buy Now!”  
button below to download the  
complete manual.



After you pay.

You can download the most  
perfect and complete manual in  
the world immediately.

Our support email:

[ebooklibonline@outlook.com](mailto:ebooklibonline@outlook.com)