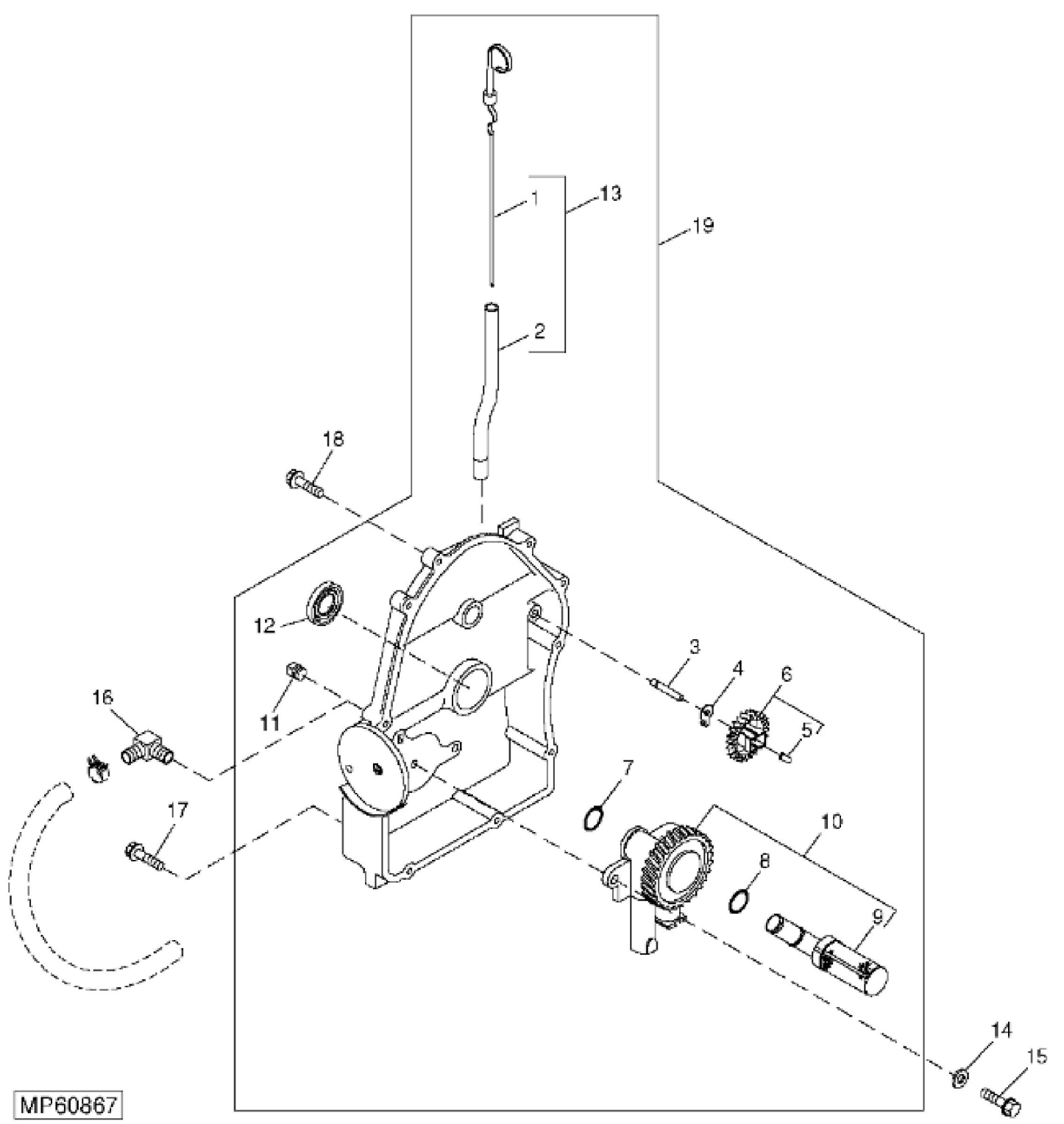


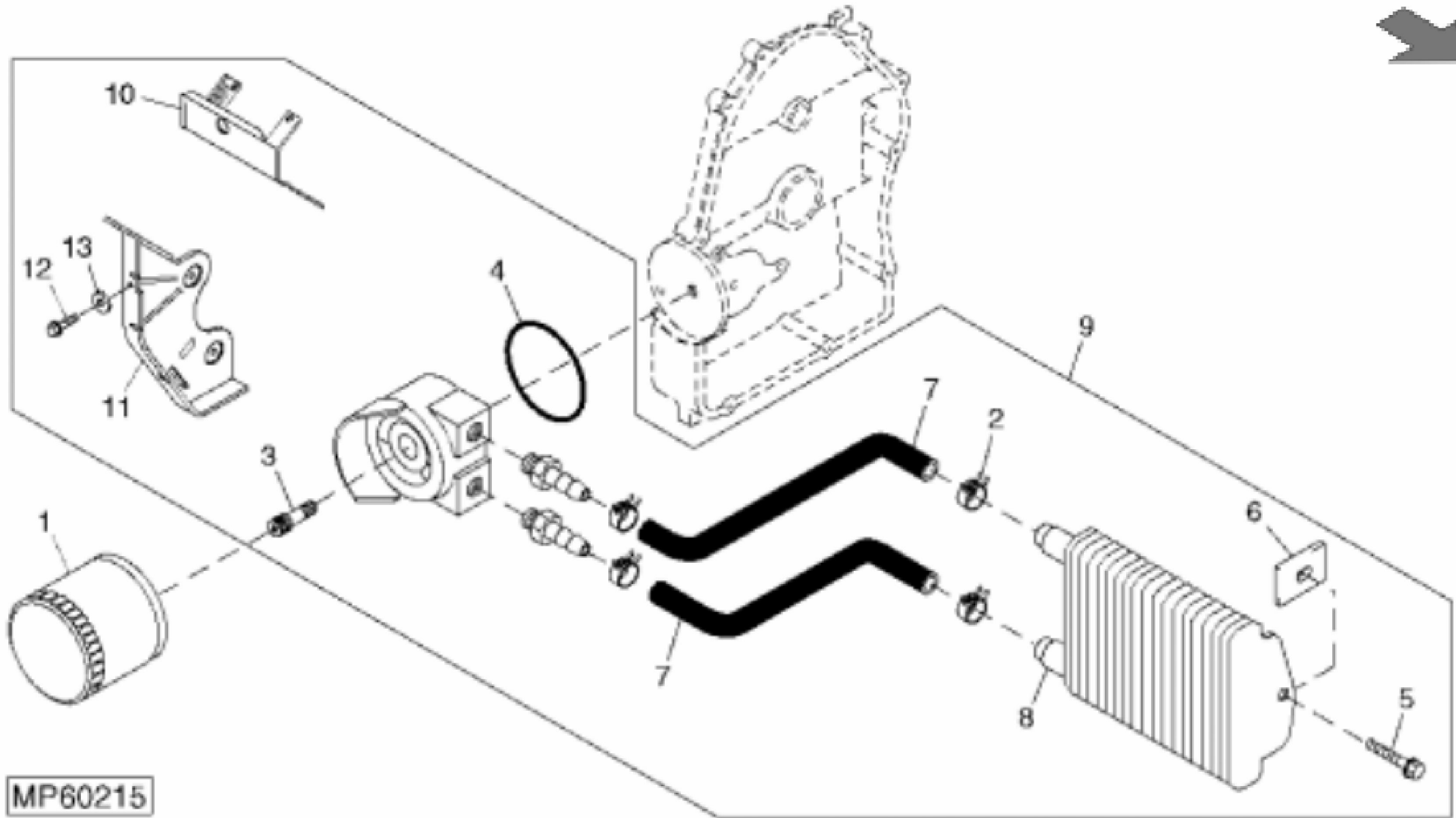
MP20972

KEY	PART NO.	PART NAME	QTY	REMARKS
1	M93483	SCREW	2	
2	MIU13121	PLATE	1	SUB FOR M132393 or MIU11930
3	37M7090	SCREW	4	M6 X 16
4	M132387	DEFLECTOR	1	NLA; OREDRMIU13222BAFFLE VALLEY (NO. 2 SIDE)
5	M145181	DEFLECTOR	1	(SUB FOR M132394 OR M134456)
6	MIU11261	PLATE	1	(SUB FOR M140026)
7	M134922	DEFLECTOR	1	BAFFLE-CYL BARREL (NO.2 SIDE)
8	M140088	PLATE	1	NLA (SUB MIU11261)
9	19M7373	CAP SCREW	2	M5 X 20
10	MIU14033	SCREW	5	
11	M132384	SCREW	1	
12	M133099	BOLT KIT	1	
13	M132383	NUT	3	
14	M125026	CLIP	4	
15	37M7090	SCREW	4	M6 X 16
16	AM129636	PANEL KIT	2	NLA; (SUB FOR M137507) (INCLUDES (4) M125026 AND (4) 37M7090)
17	AM127456	HOUSING	1	NLA

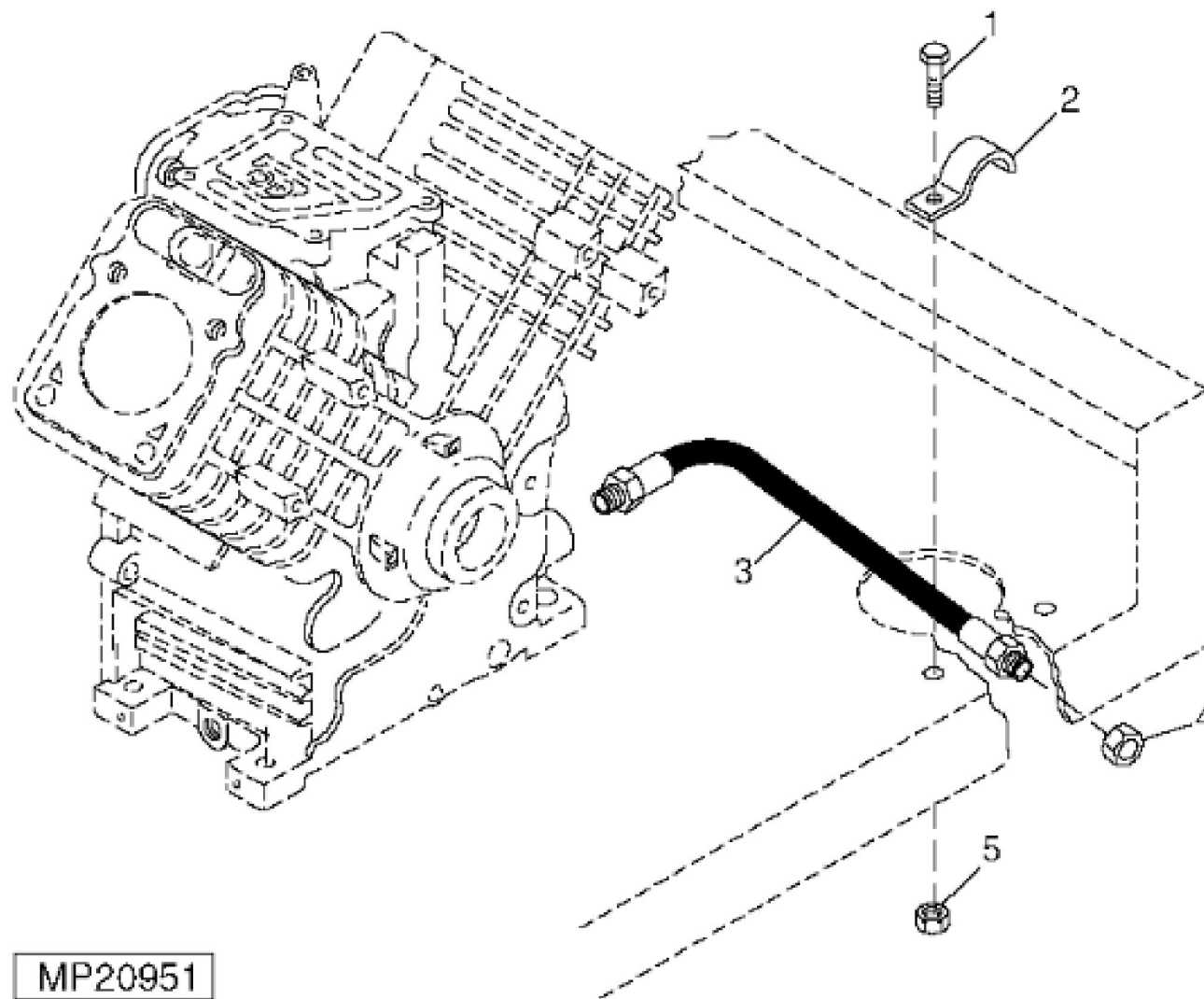


MP60867

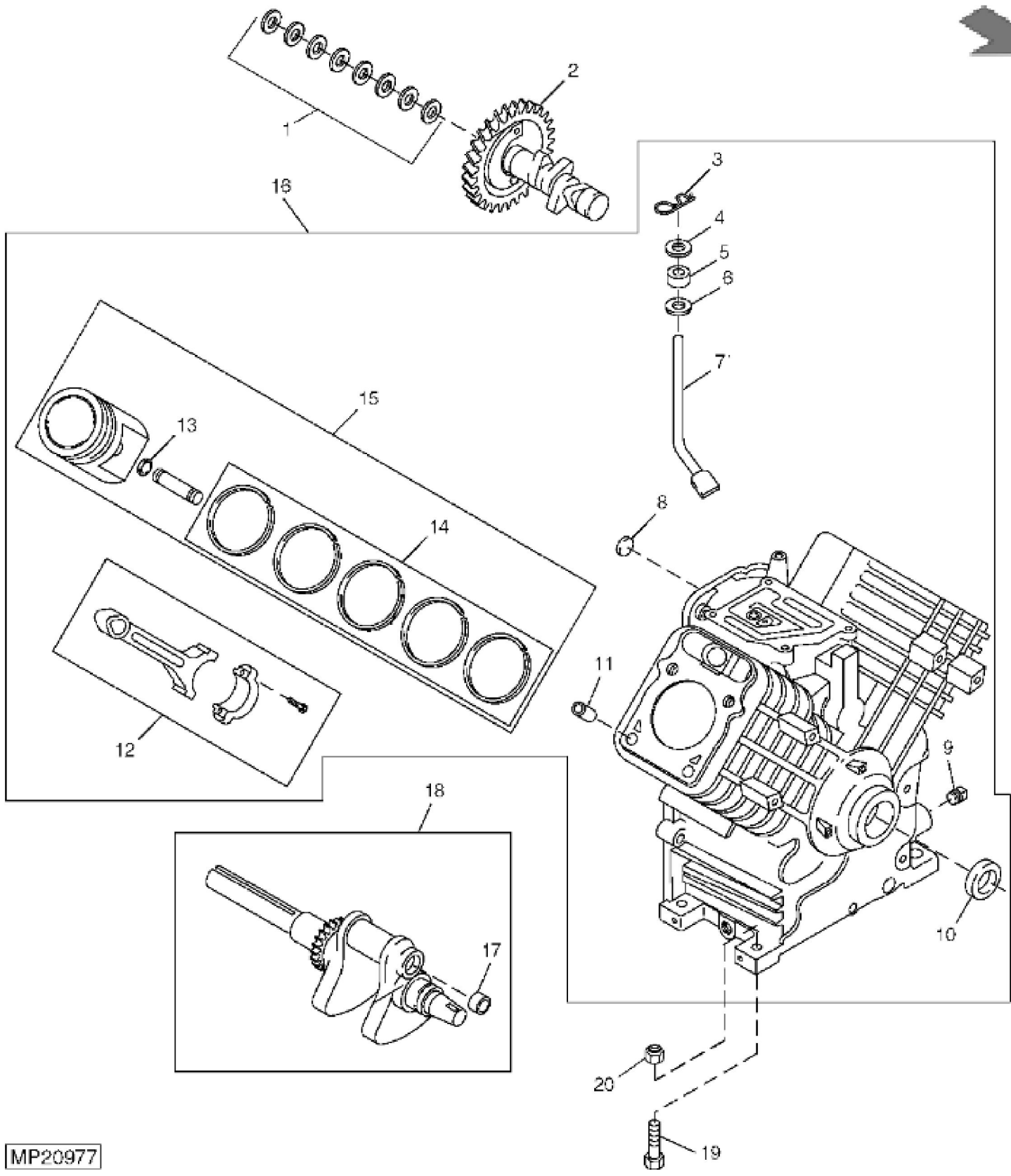
KEY	PART NO.	PART NAME	QTY	REMARKS
1	M145200	DIPSTICK	1	(ORDER AM131427)
2	M145201	DIPSTICK TUBE	1	(ORDER AM131427)
3	SHAFT	1	(ORDER AM124980)
4	M150547	RETAINER	1	(SUB FOR ET13880, THIS APPLICATION)
5	PIN	1	(ORDER AM124981)
6	AM124981	GEAR KIT	1	
7	M132346	O-RING	1	
8	M132347	O-RING	1	
9	M132348	OIL PUMP	1	USE WITH MIA10792
9	M149835	TUBE	1	
10	MIA10792	OIL PUMP	1	NLA; ORDER MIA12269; SUB FOR AM124982; INCLUDES M132348
10	MIA12269	OIL PUMP	1	
11	15H558	PIPE PLUG	2	1/8"
12	MIU11541	SEAL	1	(SUB FOR M84340)
13	AM131427	DIPSTICK	1	
14	M93418	WASHER	2	
15	37M7091	SCREW	2	M6 X 25
16	M43285	ELBOW FITTING	1	(SUB FOR M141730)
17	M131239	SCREW	1	ORDER 19M8318
18	M131238	SCREW	9	ORDER 19M8318
18	19M8318	SCREW	10	M8 X 45
19	AM124980	PLATE KIT	1	



KEY	PART NO.	PART NAME	QTY	Serial No.	REMARKS
1	AM125424	OIL FILTER	1		
2	MIU13201	CLAMP	4		NLA; ORDER TY22462; (A) (SUB FOR M133060 OR M146556)
2	TY22462	CLAMP	4		
3	M141728	THREADED NIPPLE	1	____-020000	(USED W/ M141727 COOLER)
3	M138269	THREADED NIPPLE	1	020001-____	(USED W/ AM125401 COOLER)
4	M145173	O-RING	1	____-020000	(USED W/ M141727 COOLER) (SUB FOR M141729 OR M143345)
4	M133063	O-RING	1	020001-____	(USED W/ AM125401 COOLER)
5	M133058	CAP SCREW	2		
6	M132383	NUT	2		
7	M133061	HOSE	2		(A) (MAKE FROM TY22502)
8	MIU11509	OIL COOLER	1	____-020000	(SUB FOR M141727) (INCLUDES MIU11508)
8	AM125401	OIL COOLER	1	020001-____	(INCLUDES PARTS MARKED (A))
9	AM131278	KIT	1		OIL COOLER (SUB FOR AM129629)
10	M134922	DEFLECTOR	1		
11	MIU11261	PLATE	1		(SUB FOR M140088)
12	19M7373	CAP SCREW	AR		M5 X 20
13	24M7087	WASHER	AR		5.500 X 10 X 1 mm
..	M133065	LABEL	1		OIL COOLER
..	M133064	LABEL	1		NLA; OIL SENTRY



KEY	PART NO.	PART NAME	QTY	REMARKS	
1	19H1948	CAP SCREW	1	1/4" X 3/4"	
2	TCU10056	CLAMP	1	NLA	
3	TCU10055	HOSE	1	NLA	
4	TCU10057	FITTING	1	NLA	
5	K40001	LOCK NUT	1	6.350 mm (1/4")	



MP20977

Thank you so much for reading.
Please click the “Buy Now!”
button below to download the
complete manual.



After you pay.

You can download the most
perfect and complete manual in
the world immediately.

Our support email:

ebooklibonline@outlook.com