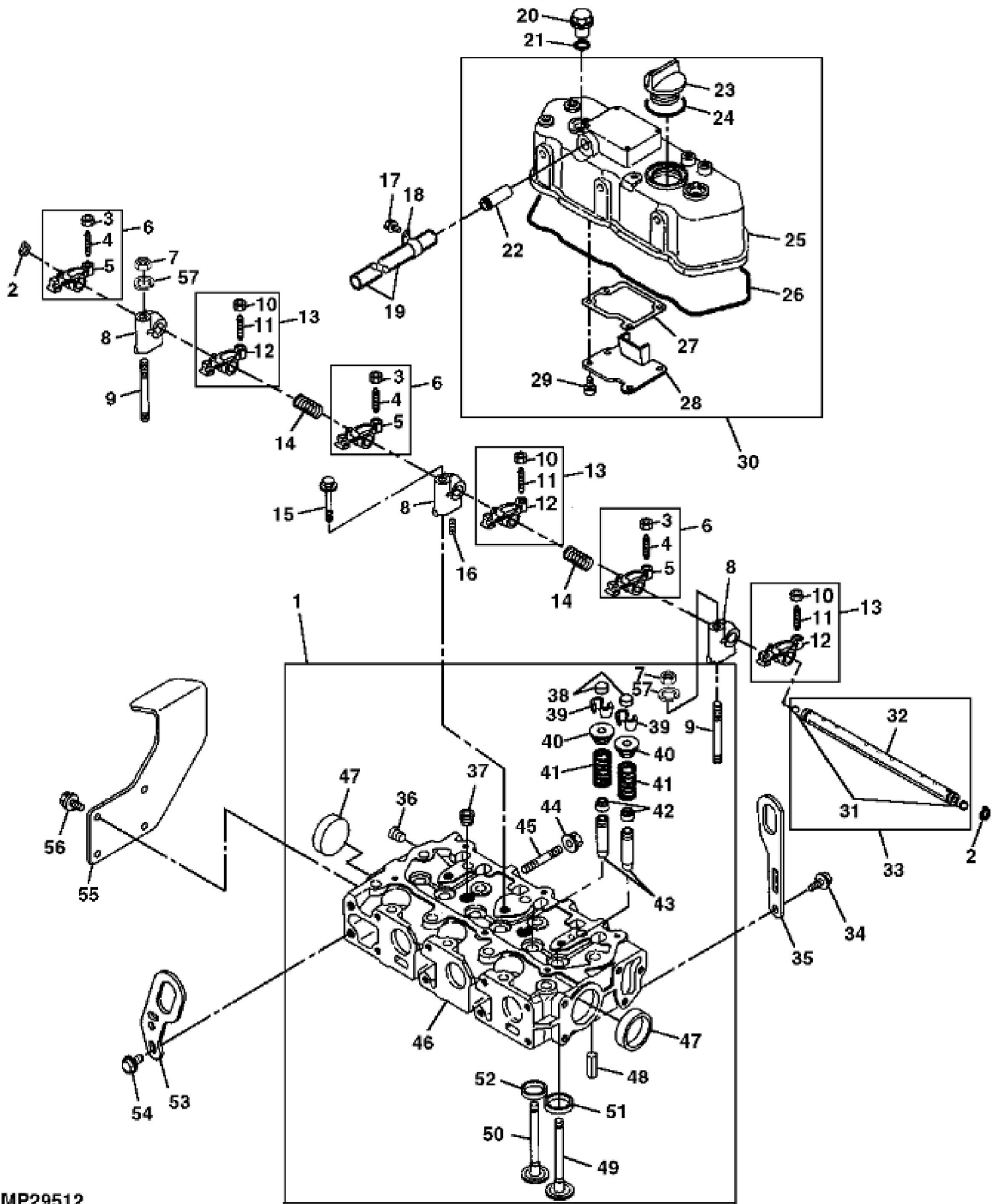


MP21358

John Deere > Turf And Utility > UTILITY VEHICLE > PROGATOR - UTILITY VEHICLE > 2020 and 2030 ProGator Utility Vehicle > 20 ENGINE (GAS) (3TG72-JUV) > ST576526 - CYLINDER BLOCK AND MAIN BEARINGS (ENGINE MARKED 3TG72-JUV)

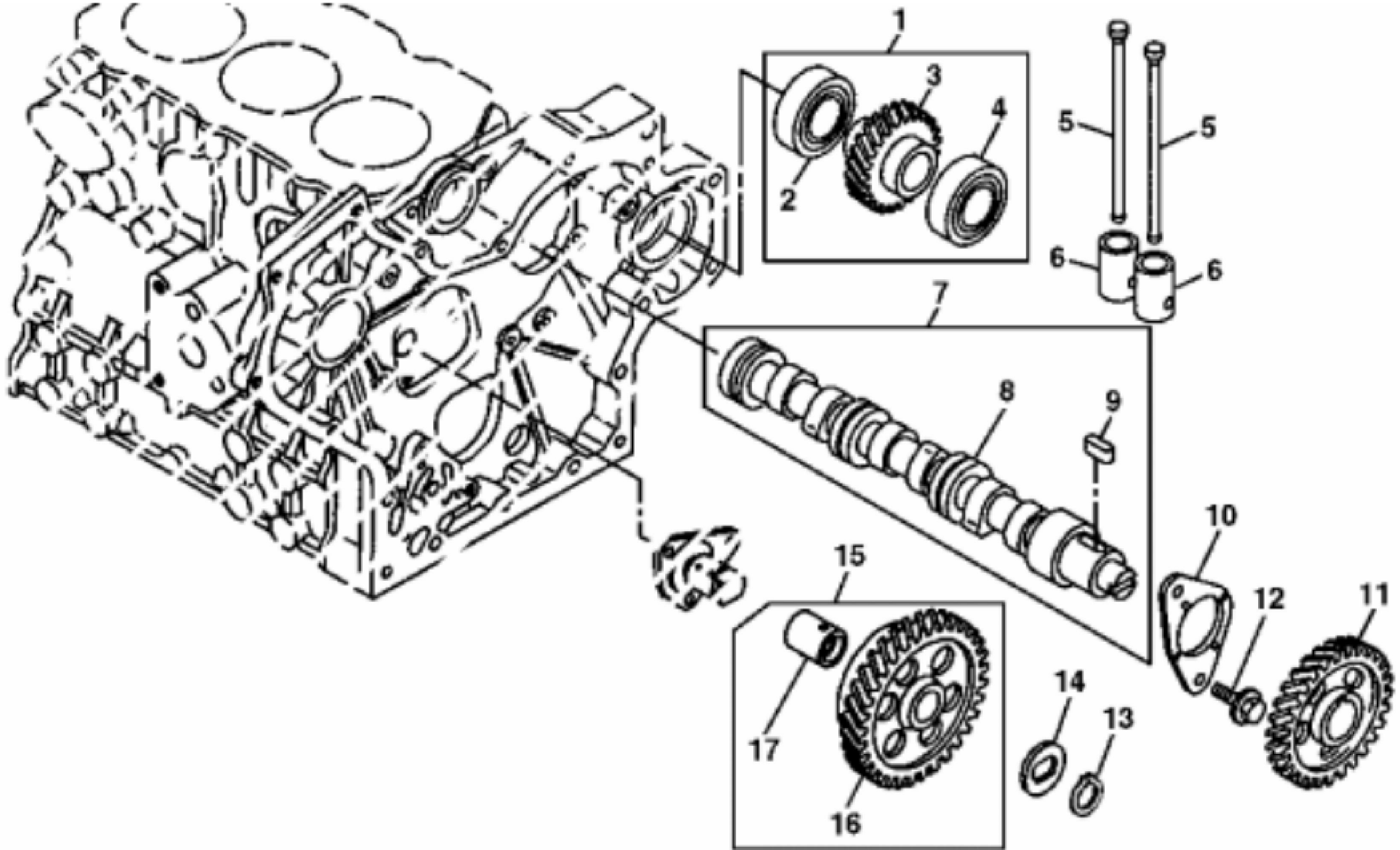
KEY	PART NO.	PART NAME	QTY	REMARKS
1	.....	CYLINDER BLOCK	1	(ORDER AM126410)
2	M87866	BOLT	14	
3	M805826	ENGINE CYLINDER HEAD GASKET	1	
4	CH18079	SPRING PIN	2	
5	M809593	PLUG	1	
6	M802255	PIN	2	
7	30M7023	PLUG	6	
8	M802643	PLUG	1	
9	M802254	PIN	2	
10	AM100856	SWITCH	1	OIL PRESSURE
11	M112792	DRAIN PLUG	1	
12	M89126	GASKET	1	
13	M89125	PLUG	1	NLA
14	EPC200680	PLUG	1	
15	M87862	BUSHING	1	
16	M800006	DOWEL PIN	2	
17	M87801	PLUG	1	
18	19M7774	SCREW	3	M6 X 12
19	M89140	SHAFT	1	
20	M89139	PLATE	1	
21	40M7080	SNAP RING	1	
22	19M7774	SCREW	2	M6 X 12
23	CH10568	PACKING	2	
24	M87879	BOLT	8	
25	AM100718	BEARING KIT	4	MAIN, STD
25	AM100732	BEARING KIT	4	.25 MM (.010") US, MAIN
26	AM100719	BEARING KIT	2	THRUST
27	M89143	GUIDE	1	
..	AM126410	GASOLINE ENGINE	1	(MARKED 3TG72-JUV), (SUB AM132783) (ALSO ORDER M810620 AND M810621)



John Deere > Turf And Utility > UTILITY VEHICLE > PROGATOR - UTILITY VEHICLE > 2020 and 2030 ProGator Utility Vehicle > 20 ENGINE (GAS) (3TG72-JUV) > ST576527 - CYLINDER HEAD, VALVES AND  
 ROCKER ARMS (ENGINE MARKED 3TG72-JUV)

KEY	PART NO.	PART NAME	QTY	REMARKS
1	AM876098	CYLINDER HEAD	1	
2	M87818	SNAP RING	2	
3	14M7194	NUT	1	M6
4	M87841	SCREW	1	
5	.....	ROCKER ARM	1	EXHAUST
6	AM100736	ARM	3	EXHAUST
7	14M7273	NUT	2	M8
8	M87891	SUPPORT	3	
9	M87836	STUD	2	
10	14M7194	NUT	1	M6
11	M87841	SCREW	1	
12	.....	ROCKER ARM	1	INTAKE
13	AM100735	ARM	3	INTAKE
14	M87892	SPRING	2	
15	CH19101	BOLT	1	
16	M87893	SCREW	1	
17	19M7864	SCREW	1	M8 X 12
18	CH10331	CLAMP	1	
19	CH15409	PIPE	1	
20	CH10348	NUT	2	
21	CH10568	PACKING	2	
22	M807038	HOSE	1	BREATHER
23	M805710	CAP	1	
24	M805711	PACKING	1	
25	.....	VALVE COVER	1	
26	M87854	GASKET	1	VALVE COVER
27	M805697	GASKET	1	
28	M87837	DEFLECTOR	1	
29	M807374	SCREW	4	
30	AM880492	VALVE COVER	1	
31	.....	BALL	2	
32	.....	SHAFT	1	
33	AM100749	ROCKER ARM SHAFT	1	
34	CH19780	BOLT	1	

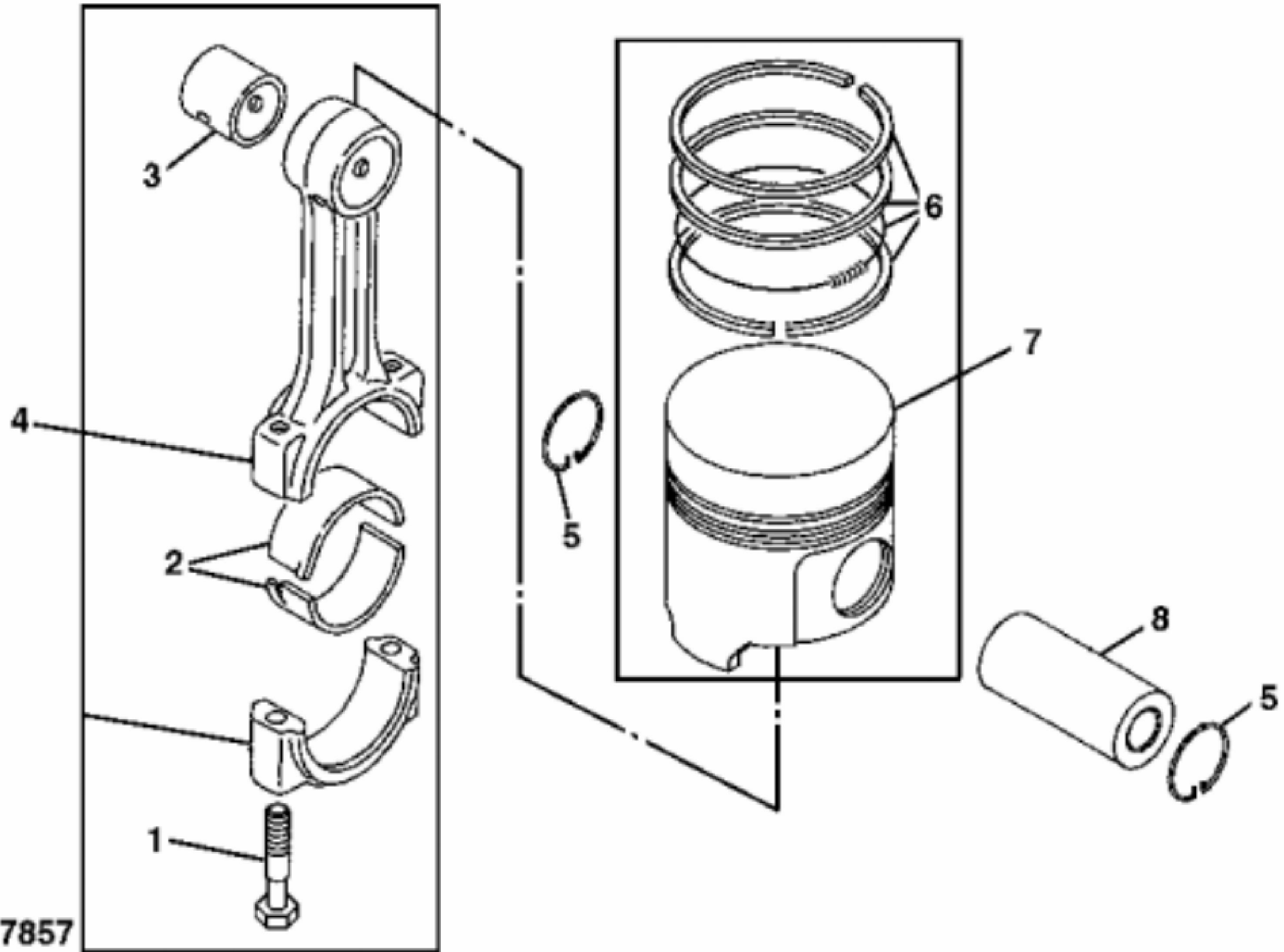
KEY	PART NO.	PART NAME	QTY	REMARKS
35	M801020	STRAP	1	
36	M87831	PLUG	1	
37	15H559	PIPE PLUG	2	1/4"
38	CH12585	CAP	6	
39	AM100828	RETAINER KIT	6	VALVE RETAINER
40	M87835	HOLDER	6	
41	M87834	SPRING	6	
42	CH10346	SEAL	6	
43	M87863	GUIDE	6	
44	14M7298	FLANGE NUT	2	M8
45	M89136	STUD	2	
46	.....	CYLINDER HEAD	1	
47	CH16751	PLUG	2	
48	CH18079	SPRING PIN	1	
49	M87832	INTAKE VALVE	3	
50	M802228	EXHAUST VALVE	3	
51	M802226	VALVE SEAT	3	
52	M802227	VALVE SEAT	3	
53	MIU800461	BRACKET	1	(SUB FOR M800066)
54	CH19780	BOLT	2	
55	M809208	BRACKET	1	
56	19M7774	SCREW	4	M6 X 12
57	12M7065	LOCK WASHER	2	8 mm
..	CH10061	RIVET	4	SERIAL NUMBER PLATE



MP21360

John Deere > Turf And Utility > UTILITY VEHICLE > PROGATOR - UTILITY VEHICLE > 2020 and 2030 ProGator Utility Vehicle > 20 ENGINE (GAS) (3TG72-JUV) > ST576528 - CAMSHAFT AND DRIVING GEARS  
 (ENGINE MARKED 3TG72-JUV)

KEY	PART NO.	PART NAME	QTY	REMARKS
1	AM879198	GEAR	1	H.O. PUMP
2	M807352	BEARING	1	
3	.....	GEAR	1	
4	CH15491	BALL BEARING	1	
5	M806348	PUSH ROD	6	
6	M87813	TAPPET	6	
7	AM876099	CAMSHAFT	1	
8	.....	CAMSHAFT	1	
9	M87812	SHAFT KEY	1	
10	M87810	FLANGE	1	
11	M87811	GEAR	1	CAMSHAFT
12	19M7774	SCREW	2	M6 X 12
13	40M7080	SNAP RING	1	
14	M89139	PLATE	1	
15	AM875078	GEAR	1	IDLER
16	.....	GEAR	1	
17	M800300	BUSHING	1	



MP17857

Thank you so much for reading.  
Please click the “Buy Now!”  
button below to download the  
complete manual.



After you pay.

You can download the most  
perfect and complete manual in  
the world immediately.

Our support email:

[ebooklibonline@outlook.com](mailto:ebooklibonline@outlook.com)