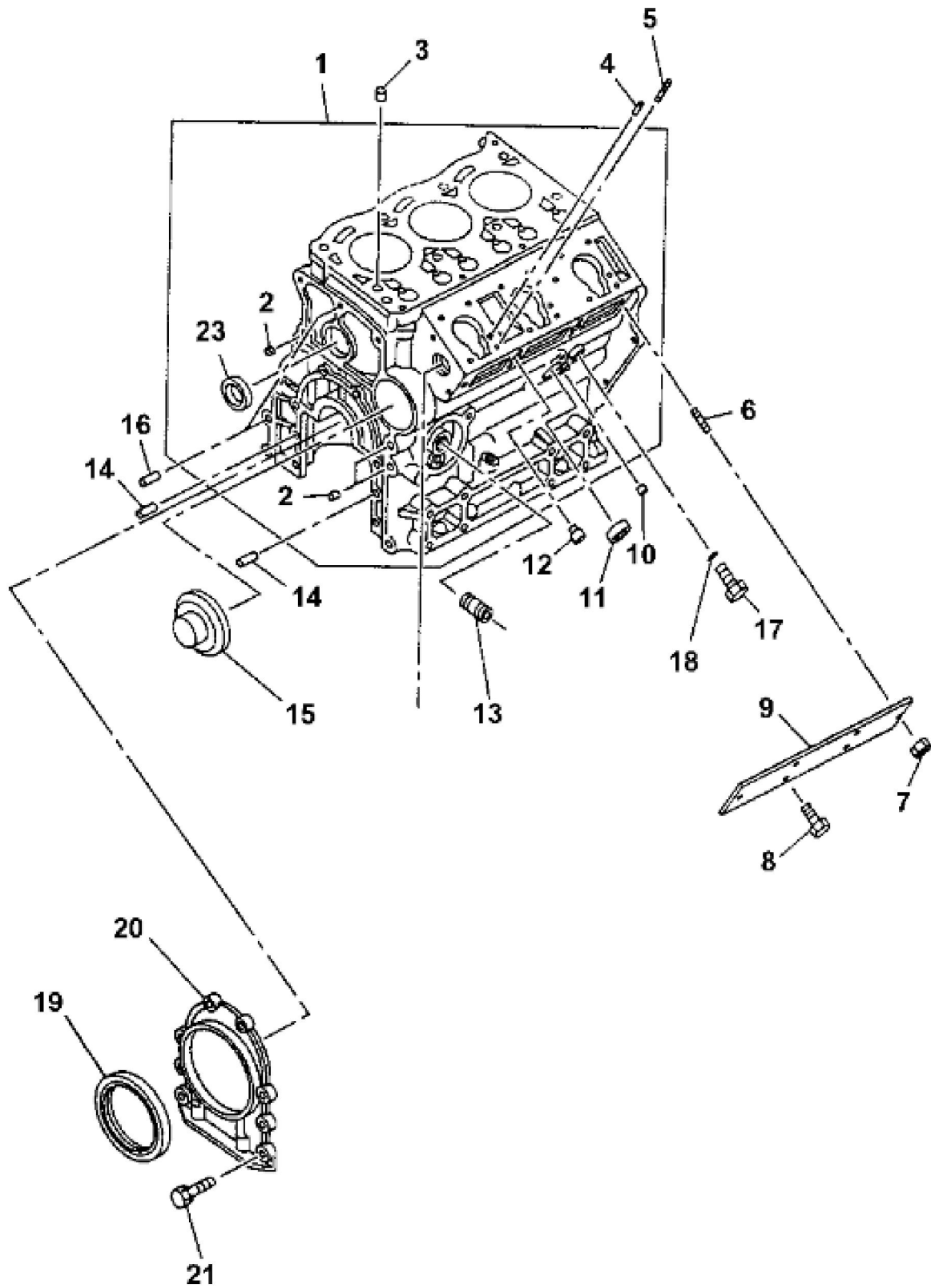


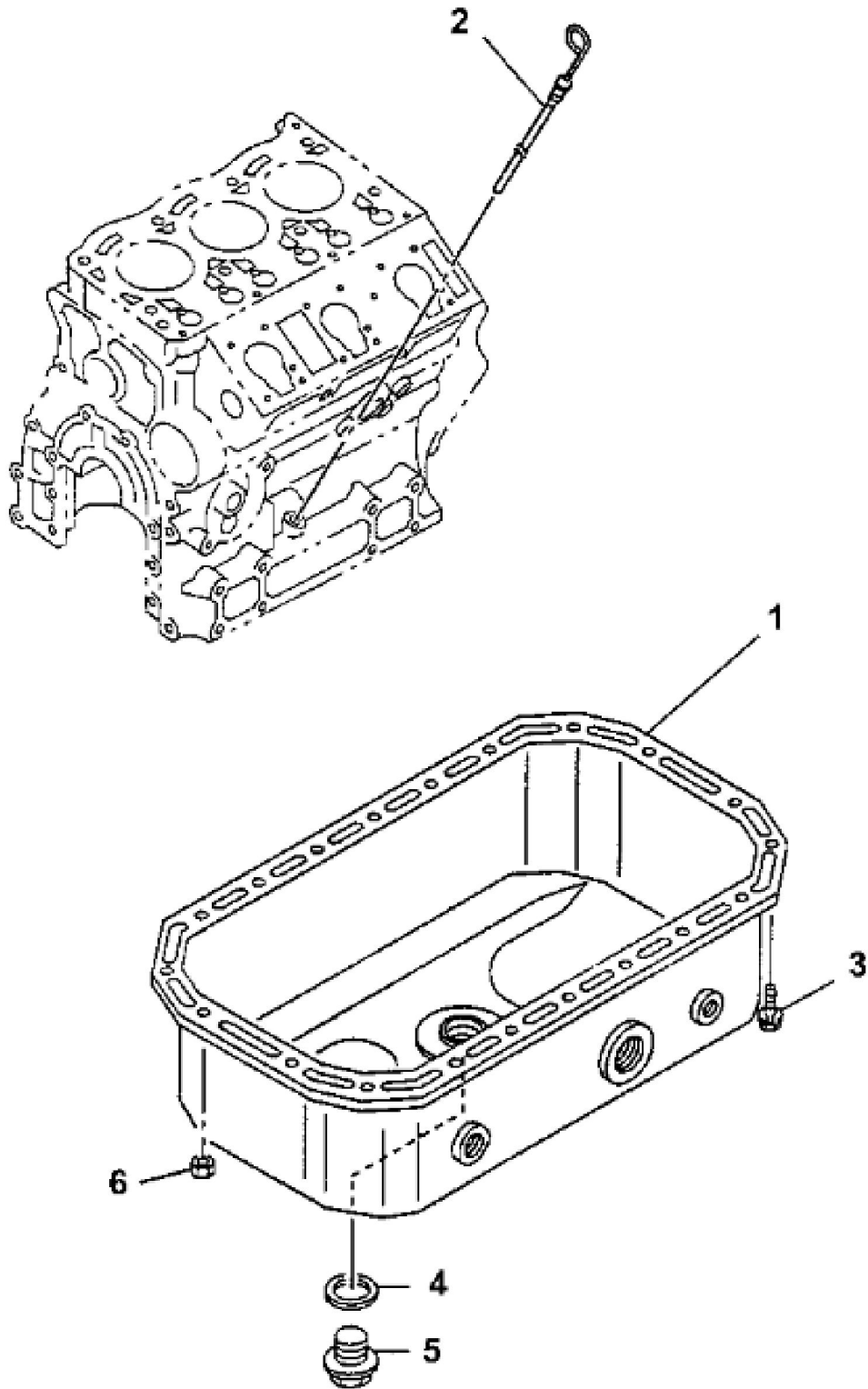
TP50250

KEY	PART NO.	PART NAME	QTY	REMARKS	
1	8971691611	CYLINDER BLOCK	1	(SUB FOR AT260079)(ADDITIONAL COMPONENTS LISTED ON FOLLOWING PAGE)	
2	8942298530	PLUG	2	(SUB FOR AT254851)	
3	8941674701	BOLT	8	(SUB FOR AT259967)	
4	5096000130	SEAL	2	(SUB FOR AT254823)	
5	8972096090	SEAL	1	(SUB FOR AT256018)	
6	1096050190	PIPE PLUG	1	(SUB FOR AT254811)	
7	AT254810	FITTING PLUG	1		
8	9096640010	FITTING PLUG	1	(SUB FOR AT255028)	
9	5096050192	PIPE PLUG	1	(SUB FOR AT254812)	
10	0410106160	STUD	2	(SUB FOR AT255005 OR 8972621471)	
11	9112290581	DOWEL PIN	2	(SUB FOR AT255033)	
12	5096000130	SEAL	1	(SUB FOR AT254823)	
13	8970470560	NEEDLE BEARING	1	(SUB FOR AT254902)	
14	8972621451	STUD	1	(SUB FOR AT255007)	



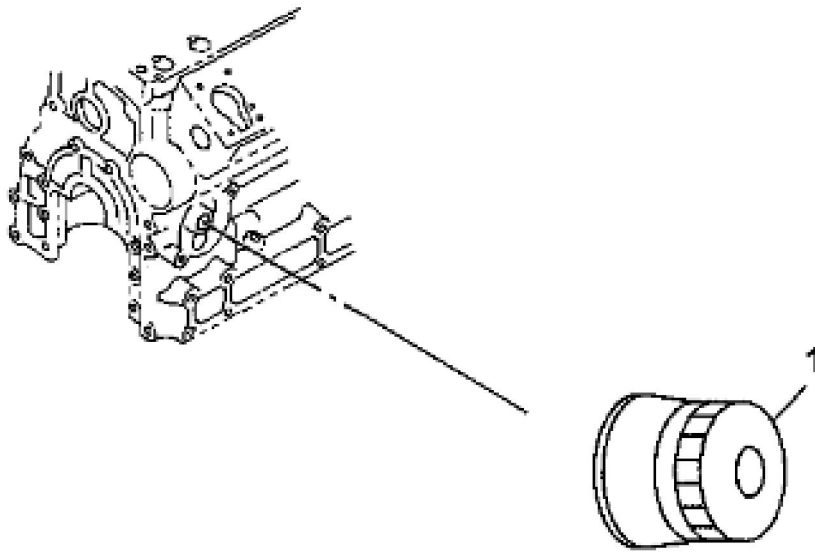
TP67357

KEY	PART NO.	PART NAME	QTY	REMARKS
1	8971691611	CYLINDER BLOCK	1	Additional Components Listed On Another Page, SUB FOR AT260079
2	5096000130	SEAL	2	SUB FOR AT254823
3	.....	PLUG	AR	
4	9098785320	DOWEL PIN	3	SUB FOR AT255029
5	AT254807	STUD	6	
6	8972621481	STUD	1	M6X19 L=27, SUB FOR AT254862
6	0410106160	STUD	1	M6X16 L=25, SUB FOR AT255005 OR 8972621471
7	AT259944	NUT	2	
8	0280806140	BOLT	2	SUB FOR AT259917
9	8971062042	COVER	1	SUB FOR AT260039
10	5096050192	PIPE PLUG	1	SUB FOR AT254812
11	1096000122	PLUG	1	SUB FOR AT254809 OR 1096000121
12	8970394953	PIN	2	SUB FOR AT254887
13	8943255950	THREADED NIPPLE	1	SUB FOR AT254860
14	9098780940	DOWEL PIN	2	SUB FOR AT255013
15	8970471421	PLUG	1	SUB FOR AT254903
16	9081508160	PIN FASTENER	2	SUB FOR AT255014
17	8046950	LINE	1	SUB FOR AT154824
18	AT255026	O-RING	1	
19	AT254827	SEAL	1	
20	8972310300	RETAINER	1	SUB FOR 8970447863 AND AT254894
21	0280806200	BOLT	6	SUB FOR AT259919
23	8942298530	PLUG	1	SUB FOR AT254851



TP50252

KEY	PART NO.	PART NAME	QTY	REMARKS	
1	8972187511	OIL PAN	1	(SUB FOR AT260089, 8972187510)	
2	8944050650	DIPSTICK	1	(SUB FOR AT259979, 4447084)	
3	8971351410	BOLT	18	(SUB FOR AT260061)	
4	8943993980	GASKET	1	(SUB FOR AT254814 OR 1096231830)	
5	9096620120	PIPE PLUG	1	(SUB FOR AT255027)	
6	8971378360	NUT	2	(SUB FOR AT260063)	



**TP50069**

Thank you so much for reading.  
Please click the “Buy Now!”  
button below to download the  
complete manual.



After you pay.

You can download the most  
perfect and complete manual in  
the world immediately.

Our support email:

[ebooklibonline@outlook.com](mailto:ebooklibonline@outlook.com)