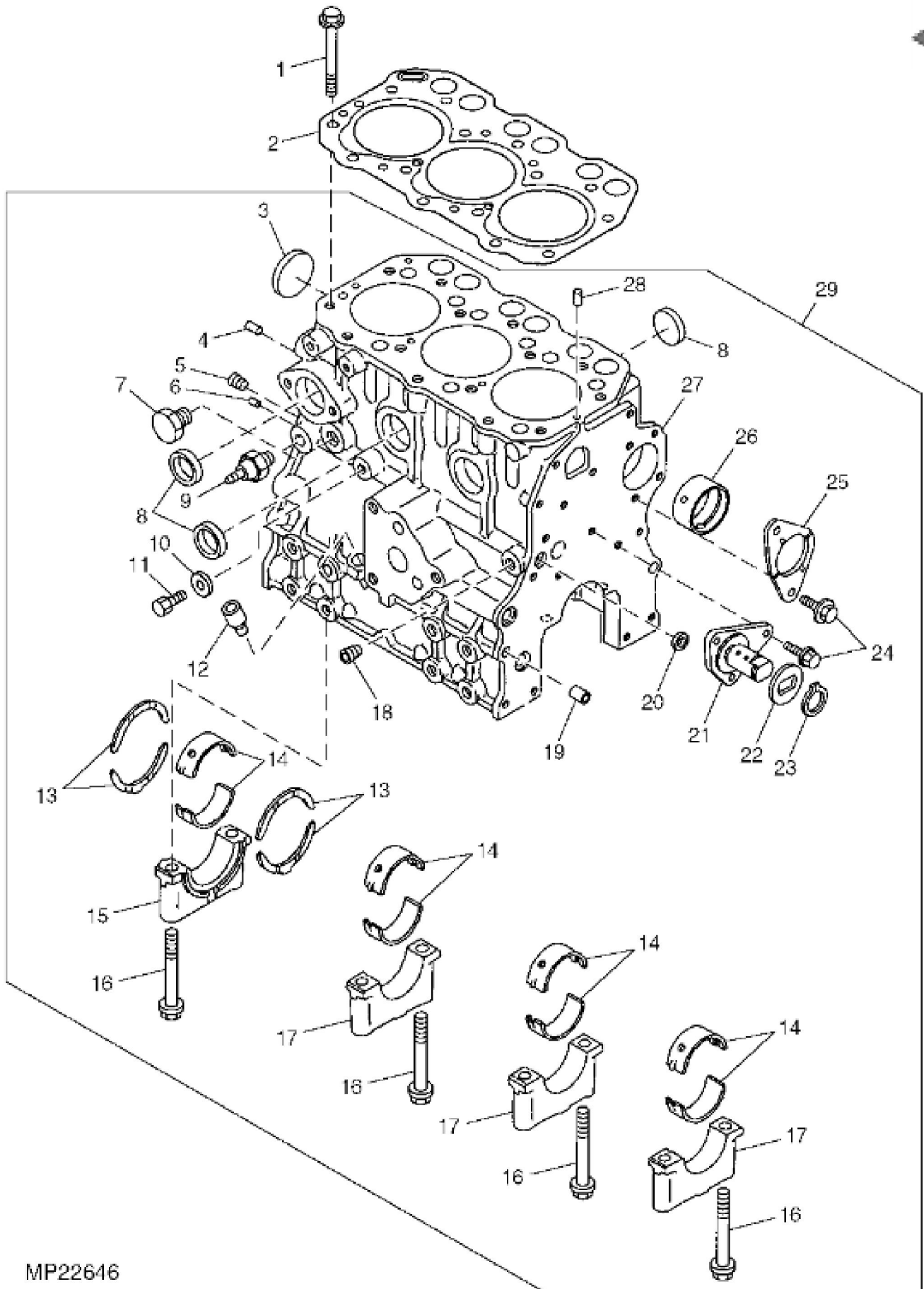


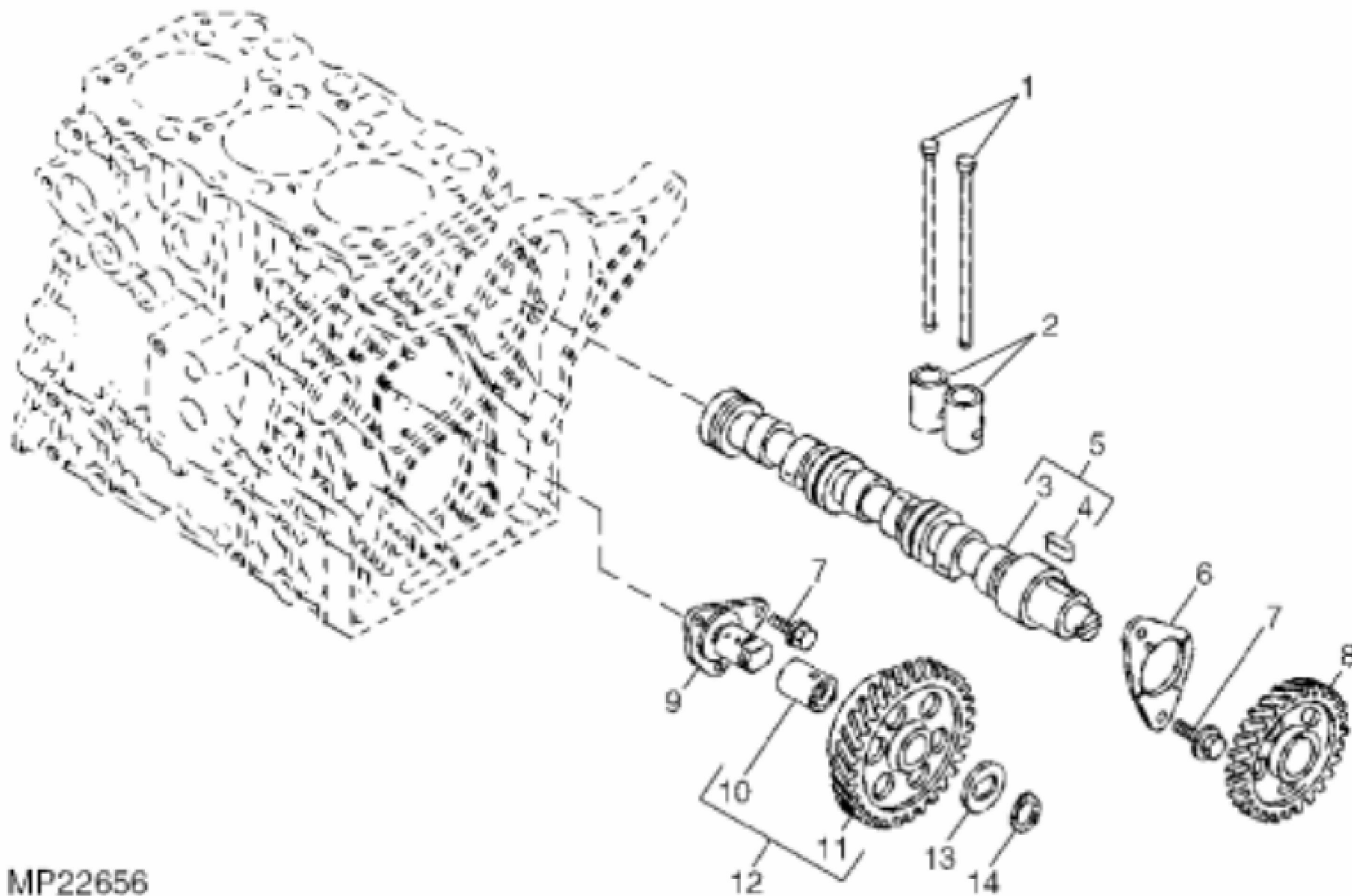
KEY	PART NO.	PART NAME	QTY	REMARKS
1	AM876098	CYLINDER HEAD	1	
2	M87818	SNAP RING	2	(A)
3	14M7194	NUT	3	M6, (A)
4	M87841	SCREW	3	(A)
5	.....	ROCKER ARM	3	(A) EXHAUST (ORDER AM100736)
6	AM100736	ARM	3	EXHAUST
7	CH11459	NUT	2	NLA; Nut W/Washer, ORDER 12M7065 AND 14M7273
7	14M7273	NUT	2	M8, Metric, Hex.
7	12M7065	LOCK WASHER	2	8 mm, Not Illustrated, Arandela
8	M87891	SUPPORT	3	(A)
9	M87836	STUD	2	
10	14M7194	NUT	3	M6, (A)
11	M87841	SCREW	3	(A)
12	.....	ROCKER ARM	3	(A) INTAKE (ORDER AM100735)
13	AM100735	ARM	3	INTAKE
14	M87892	SPRING	2	(A)
15	CH19101	BOLT	1	
16	M87893	SCREW	1	(A)
17	19M7864	SCREW	1	M8 X 12
18	CH10331	CLAMP	1	
19	CH15409	PIPE	1	
20	CH10348	NUT	2	
21	CH10568	PACKING	2	
22	M807038	TUBE	1	BREATHER
23	M805710	CAP	1	
24	M805711	PACKING	1	
25	.....	VALVE COVER	1	(ORDER AM880492)
26	M87854	GASKET	1	VALVE COVER
27	M805697	GASKET	1	
28	M87837	DEFLECTOR	1	
29	M807374	SCREW	4	
30	AM880492	VALVE COVER	1	
31	.....	BALL	2	(A)
32	.....	SHAFT	1	(A)

KEY	PART NO.	PART NAME	QTY	REMARKS
33	AM100749	ROCKER ARM SHAFT	1	(A)
34	CH19780	BOLT	2	
35	MIU800461	BRACKET	2	(SUB FOR M800066)
36	M87831	PLUG	1	
37	CH16747	PLUG	2	
38	CH12585	CAP	6	
39	AM100828	RETAINER KIT	6	VALVE RETAINER
40	M87835	HOLDER	6	
41	M87834	SPRING	6	
42	CH10346	SEAL	6	
43	M87863	GUIDE	6	
44	14M7298	FLANGE NUT	2	M8
45	M89136	STUD	2	
46	.....	CYLINDER HEAD	1	(ORDER AM876098)
47	CH16751	PLUG	2	
48	CH18079	SPRING PIN	1	
49	M87832	INTAKE VALVE	3	
50	M802228	EXHAUST VALVE	3	
51	M802226	VALVE SEAT	3	INTAKE
52	M802227	VALVE SEAT	3	EXHAUST
53	CH10061	RIVET	4	(Not Illustrated)
..	AM100748	SUPPORT	1	ROCKER ARM ASSEMBLY (INCLUDES PARTS MARKED (A))



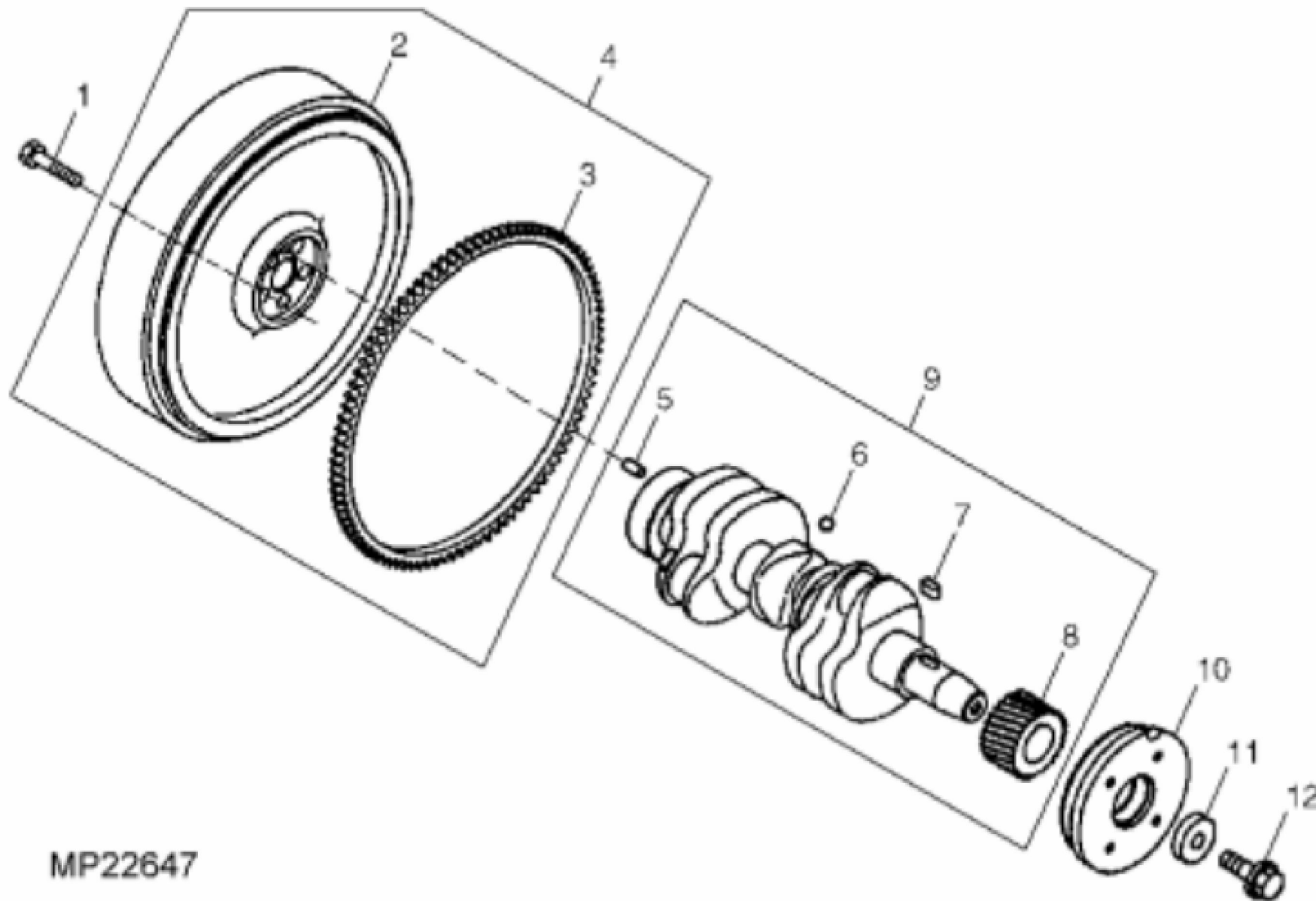
MP22646

KEY	PART NO.	PART NAME	QTY	REMARKS
1	M87866	BOLT	14	
2	M805826	ENGINE CYLINDER HEAD GASKET	1	
3	M809593	PLUG	1	
4	M802255	PIN	2	
5	M802643	PLUG	1	
6	M802254	PIN	2	
7	M112792	DRAIN PLUG	1	
8	30M7023	PLUG	6	
9	AM100856	SWITCH	1	
10	M89126	GASKET	1	
11	M89125	PLUG	1	NLA
12	M89143	GUIDE	1	
13	AM100719	BEARING KIT	2	THRUST
14	AM100718	BEARING KIT	4	MAIN, STD
14	AM100732	BEARING KIT	4	0.25 MM (.010"), MAIN US
15	.....	BEARING CAP	1	(ORDER AM123847)
16	M87879	BOLT	8	
17	.....	BEARING CAP	3	(ORDER AM123847)
18	EPC200680	PLUG	1	
19	M800006	DOWEL PIN	2	
20	M87801	PLUG	1	
21	M89140	SHAFT	1	
22	M89139	PLATE	1	
23	40M7080	SNAP RING	1	
24	19M7774	SCREW	5	M6 X 12, (SUB FOR M87819)
25	M87810	FLANGE	1	
26	M87862	BUSHING	1	
27	.....	CYLINDER BLOCK	1	(ORDER AM123847)
28	CH18079	SPRING PIN	2	
29	AM876095	CYLINDER BLOCK	1	
..	AM123847	GASOLINE ENGINE	1	COMPLETE



MP22656

KEY	PART NO.	PART NAME	QTY	REMARKS	
1	M806348	PUSH ROD	6		
2	M87813	TAPPET	6		
3	.....	CAMSHAFT	1	(ORDER AM876099)	
4	M87812	SHAFT KEY	1		
5	AM876099	CAMSHAFT	1		
6	M87810	FLANGE	1		
7	19M7774	SCREW	2	M6 X 12, (SUB FOR M87819)	
8	M87811	GEAR	1		
9	M89140	SHAFT	1		
10	M800300	BUSHING	1		
11	.....	GEAR	1	(ORDER AM875078)	
12	AM875078	GEAR	1		
13	M89139	PLATE	1		
14	40M7080	SNAP RING	1		



MP22647

Thank you so much for reading.  
Please click the “Buy Now!”  
button below to download the  
complete manual.



After you pay.

You can download the most  
perfect and complete manual in  
the world immediately.

Our support email:

[ebooklibonline@outlook.com](mailto:ebooklibonline@outlook.com)