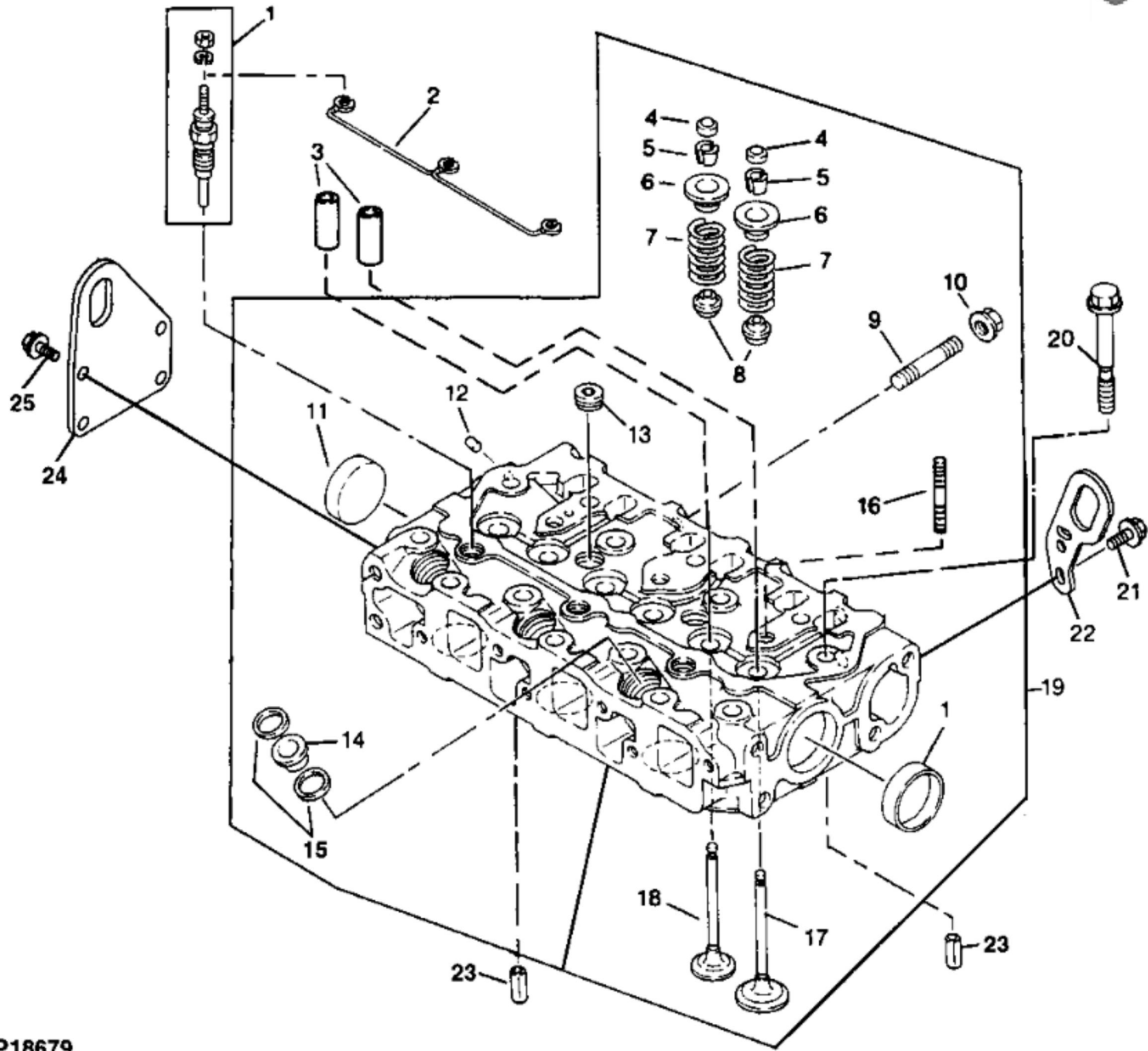


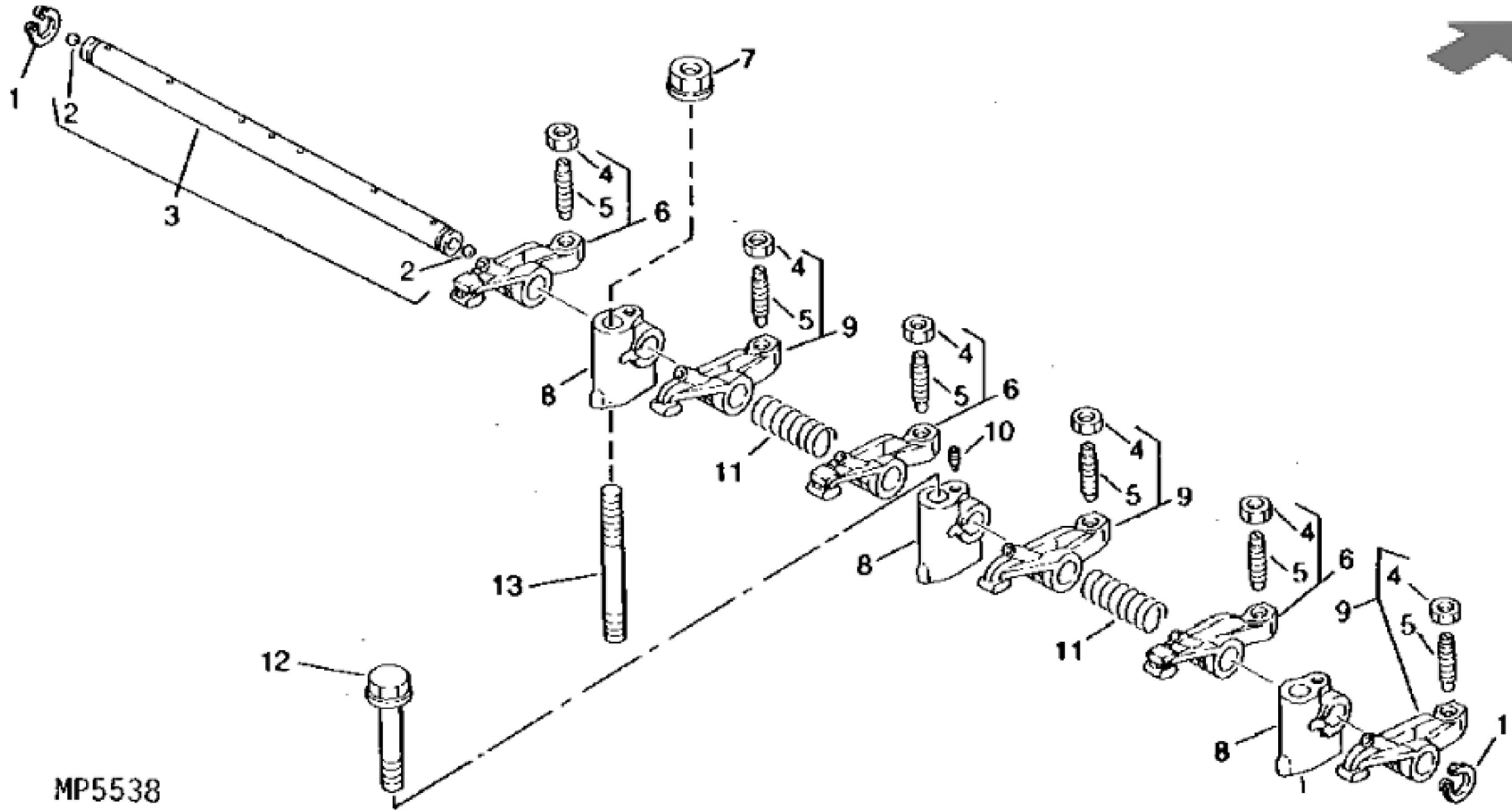
WP3513

KEY	PART NO.	PART NAME	QTY	REMARKS
1	CH17101	PLUG	4	
2	M808914	BUSHING	1	(SUB FOR M800013)
3	M800002	PLUG	2	
4	AM875059	BEARING KIT	4	STANDARD
4	AM875026	BEARING KIT	4	.25 MM (.010") OS
5	CAP	3	
6	CAP	1	
7	M800012	BOLT	8	
8	AM875060	BEARING KIT	2	
9	M89143	GUIDE	1	
10	CH10571	PACKING	1	
11	19M7300	CAP SCREW	1	M6 X 10
12	M800045	GUIDE	1	
13	M800420	DIPSTICK	1	
14	CH15478	PLUG	1	
15	M800002	PLUG	2	
16	CH10314	PLUG	2	
17	AM100800	DRAIN VALVE	1	
18	M809526	SWITCH	1	(SUB FOR CH15500)OIL PRESSURE
19	30M7023	PLUG	2	(SUB FOR CH10642)
20	M806843	PLUG	1	(SUB FOR CH10640)
21	AM875018	CYLINDER BLOCK	1	(INCLUDES M89139, M89140)
..	AM119962	SHORT ENGINE	1	(MARKED 3TN66C-JUV) (ORDER AM878935)
..	AM130257	DIESEL ENGINE	1	(MARKED 3TN66C-EJUV)
..	MIA882702	SHORT BLOCK ASSEMBLY	1	SUB FOR AM878935



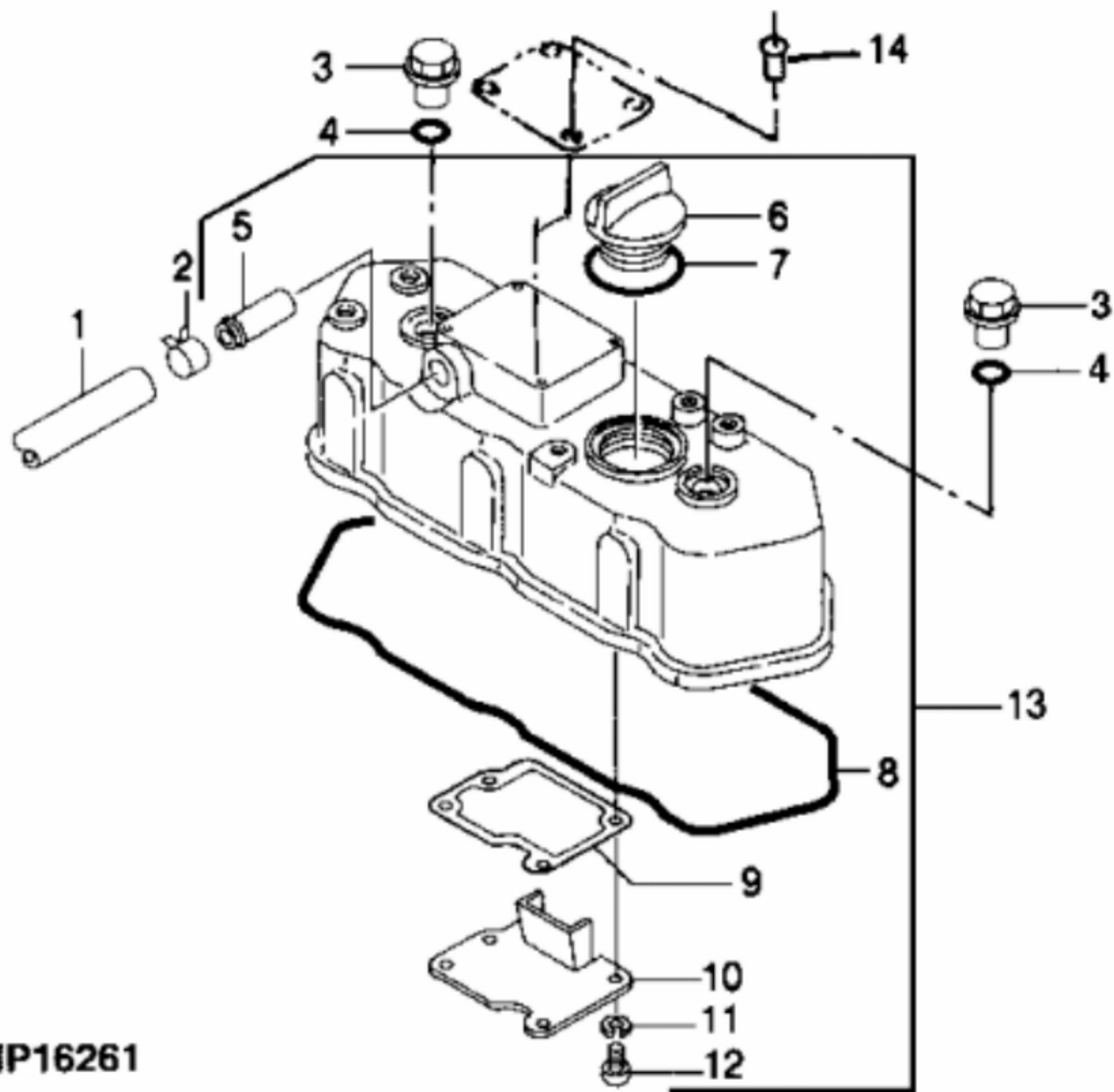
MP18679

KEY	PART NO.	PART NAME	QTY	REMARKS
1	M87919	GLOW PLUG	3	
2	M87920	ELEC. CONNECTOR TERMINAL	1	
3	M800067	GUIDE	6	
4	M800023	CAP	6	
5	AM878864	RETAINER KIT	3	
6	M800020	HOLDER	6	
7	M800019	SPRING	6	
8	M800022	SEAL	6	NLA; ORDER MIU801996
8	MIU801996	SEAL	6	
9	M800034	STUD	2	
10	14M7303	FLANGE NUT	2	M6
11	CH17438	PLUG	2	
12	M87831	PLUG	1	
13	CH15002	PLUG	2	
14	M89134	PACKING	3	
15	M89135	GASKET	3	
16	M87836	STUD	2	
17	M800017	INTAKE VALVE	3	
18	M800018	EXHAUST VALVE	3	
19	AM875030	CYLINDER HEAD	1	
20	M800003	BOLT	14	(ENGINE MARKED 3TN66C-JUV) (SUB M808915)
20	M808915	BOLT	14	(ENGINE MARKED 3TN66C-EJUV)
21	CH19780	BOLT	1	
22	M800066	BRACKET	1	LIFT, (SUB MIU800461)
23	CH18079	SPRING PIN	2	
24	M806897	BRACKET	1	FRONT LIFT
25	19M7774	SCREW	4	M6 X 12



MP5538

KEY	PART NO.	PART NAME	QTY	REMARKS	
1	CH17950	RING	1		
2	R63075	BALL	2		
3	AM875002	ROCKER ARM SHAFT	1		
4	14M7194	NUT	6	M6	
5	M87841	SCREW	6		
6	AM875029	ROCKER ARM	3	EXHAUST	
7	14M7298	FLANGE NUT	2	M8	
8	M800024	SUPPORT	3	ROCKER ARM	
9	AM875028	ROCKER ARM	3	INTAKE	
10	M800069	SELF-LOCKING SCREW	1		
11	M800025	SPRING	2		
12	CH19101	BOLT	1		
13	M87836	STUD	2		



MP16261

Thank you so much for reading.
Please click the “Buy Now!”
button below to download the
complete manual.



After you pay.

You can download the most
perfect and complete manual in
the world immediately.

Our support email:

ebooklibonline@outlook.com