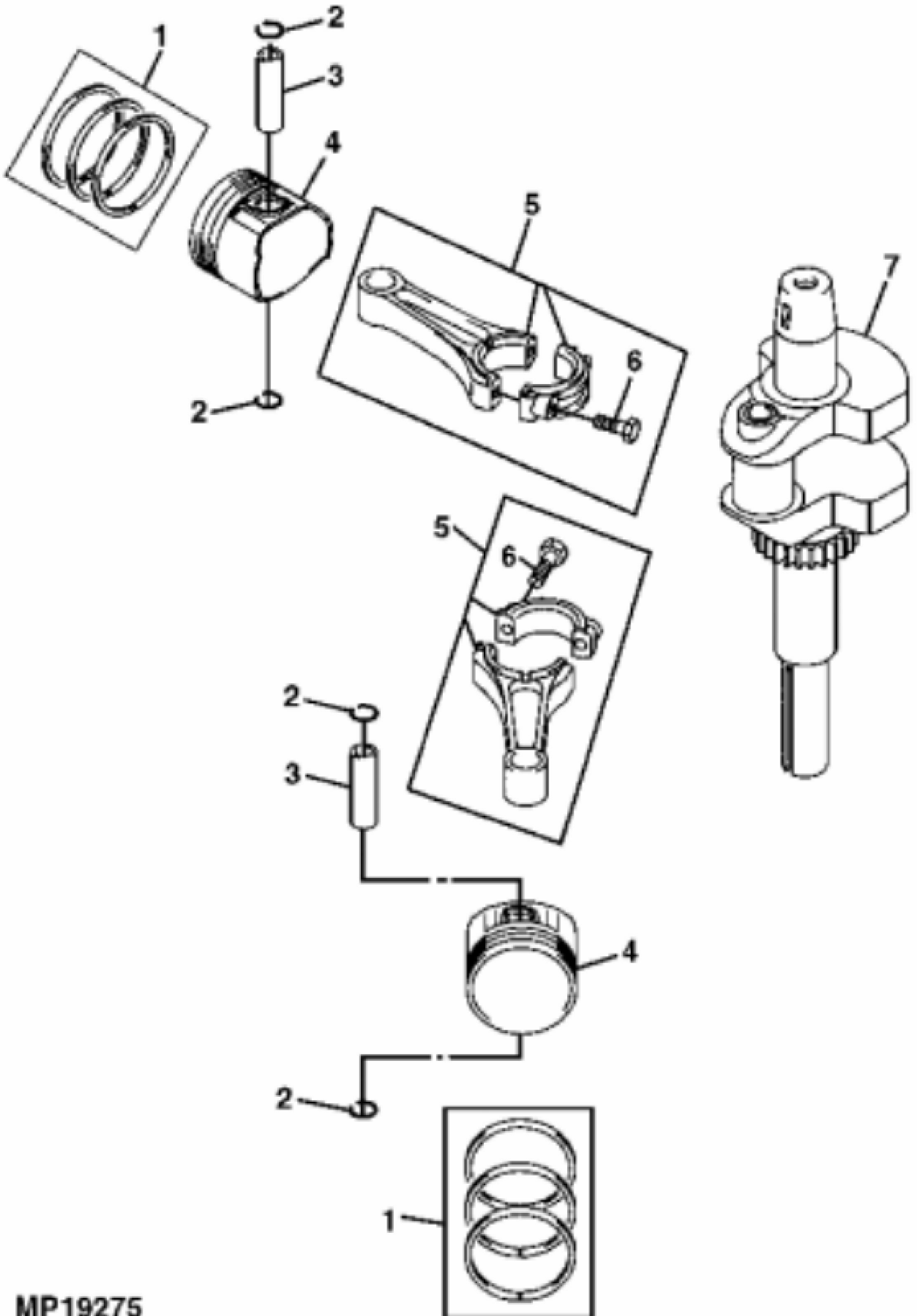


John Deere > Turf And Utility >TRACTOR, LAWN AND GARDEN >GT245 - TRACTOR, LAWN AND GARDEN >GT245 Lawn Tractor >20 ENGINE (FH601V-AS15, BS15) MM13659 >ST585524 - CYLINDER HEAD AND CRANKCASE

KEY	PART NO.	PART NAME	QTY	REMARKS
1	M141350	FILTER ELEMENT	1	ORDER MIA11393
1	MIA11393	COVER KIT	1	(Not Illustrated) INCLUDES MIU11731, MIU11732 AND 19M7775
2	21M7244	SCREW	1	M4 X 8, BREATHER
3	M140222	GASKET	1	USE WITH AM134131, AM135292, AM133940, MIA10964 AND MIA10990
3	MIU11731	GASKET	1	
4	M140224	COVER	1	USE WITH AM134131, AM135292, AM133940, MIA10964 AND MIA10990
4	MIU11732	COVER	1	
5	19M7774	SCREW	4	M6 X 12, USE WITH AM134131, AM135292, AM133940, MIA10964 AND MIA10990
5	19M7775	SCREW	4	M6 X 16
6	M149281	SEAL	1	(SUB FOR M138390)
6	M150948	SEAL	1	(USE WITH MIA10990)
7	MIU11322	BOLT	2	SUB FOR M138394
8	M138389	SEAL	4	(ENGINE MARKED FH601V-AS15)
8	M138389	SEAL	4	(ENGINE MARKED FH601V-BS15), (SUB FOR M149280)
9	19M8477	CAP SCREW	4	M6 X 40
10	M140218	CASE	2	ROCKER
11	M140221	GASKET	2	ROCKER CASE
12	MIU11326	BOLT	18	(SUB FOR M138393)
13	MIA10402	CYLINDER HEAD	1	(SUB FOR AM128731 OR AM132473)
14	M138388	PIN	6	
15	M147908	ENGINE CYLINDER HEAD GASKET	2	
16	M138395	STUD	4	NLA; ORDER MIU11736
16	MIU11736	BOLT	4	NLA; ORDER MIU12726
16	MIU12726	STUD	4	
17	M140220	GASKET	1	CRANKCASE COVER
18	AM135296	CYLINDER HEAD	1	(SUB FOR AM128732 OR AM132396)
19	14M7166	LOCK NUT	4	M8
20	M140231	SNAP RING	2	
21	M149282	SEAL	1	(SUB FOR M138391)
22	M138392	SEAL	1	NLA; ORDER M151774; Governor Shaft

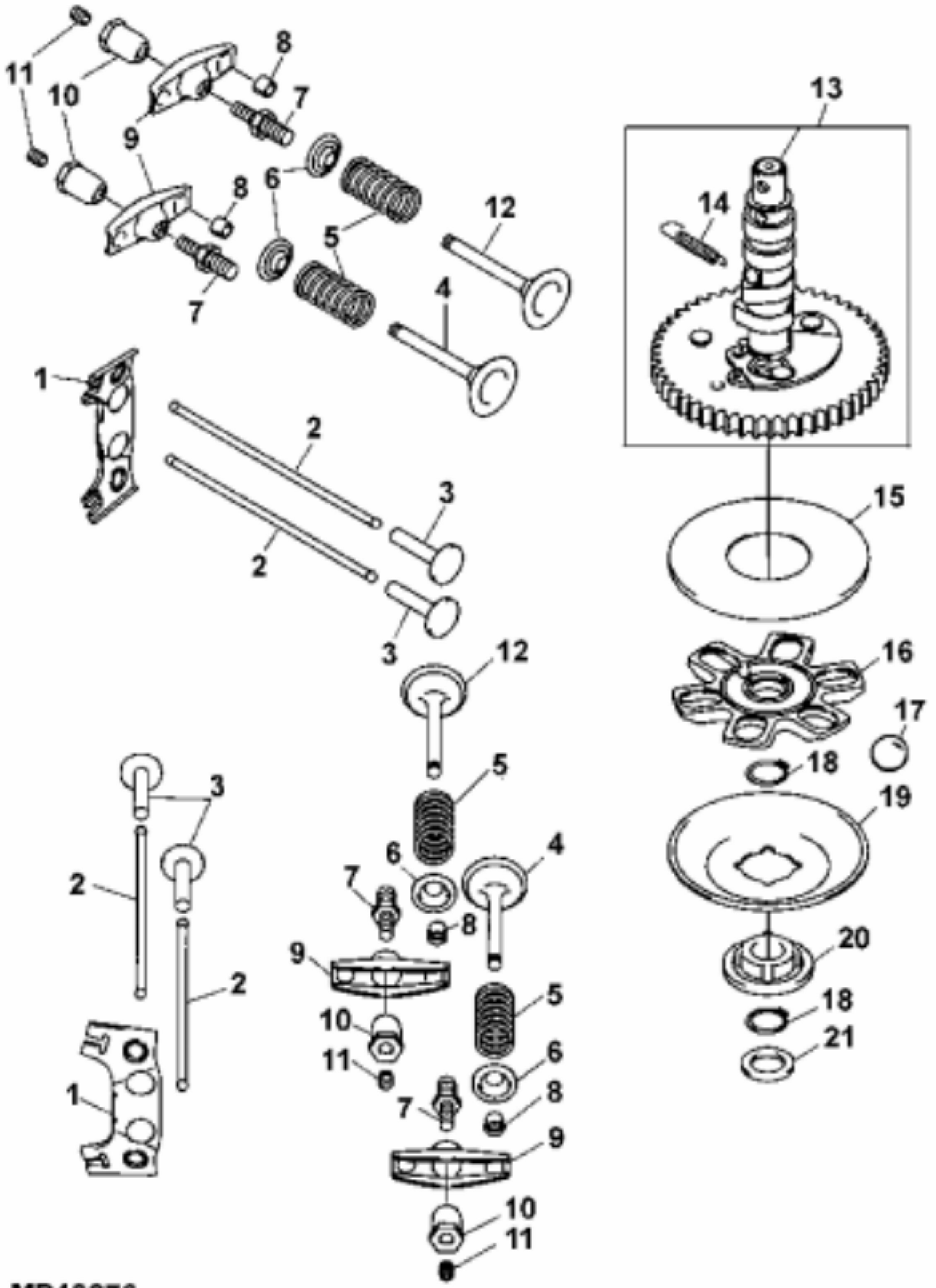
KEY	PART NO.	PART NAME	QTY	REMARKS
22	M151774	SEAL	1	
23	M150449	COVER	1	CRANKCASE, (SUB FOR M140230)
23	MIU11292	COVER	1	(USE WITH MIA10990)
24	M140223	PLATE	1	
25	M140229	VALVE	1	
26	19M7897	SCREW	4	M8 X 35
27	M127431	ADAPTER FITTING	1	
28	AM128737	CRANKCASE	1	(ENGINE MARKED FH601V-AS15) (NLA)
28	AM132504	CRANKCASE	1	(ENGINE MARKED FH601V-BS15)
29	AM131868	GASOLINE ENGINE	1	(Not Illustrated) ORDER MIA10990
29	AM132395	GASOLINE ENGINE	1	(Not Illustrated) ORDER MIA10990
29	AM133908	GASOLINE ENGINE	1	(Not Illustrated) ORDER MIA10990
29	AM134131	GASOLINE ENGINE	1	(Not Illustrated) ORDER MIA10990
29	AM135292	GASOLINE ENGINE	1	(Not Illustrated) ORDER MIA10990
29	AM133940	SHORT BLOCK ASSEMBLY	1	(Not Illustrated) ORDER MIA10990
29	MIA10964	SHORT BLOCK ASSEMBLY	1	(Not Illustrated) ORDER MIA10990
29	MIA10990	SHORT BLOCK ASSEMBLY	1	(Not Illustrated) SUB FOR MIA10991 OR AM132506



MP19275

John Deere > Turf And Utility >TRACTOR, LAWN AND GARDEN >GT245 - TRACTOR, LAWN AND GARDEN >GT245 Lawn Tractor >20 ENGINE (FH601V-AS15, BS15) MM13659 >ST585525 - PISTON AND CRANKSHAFT

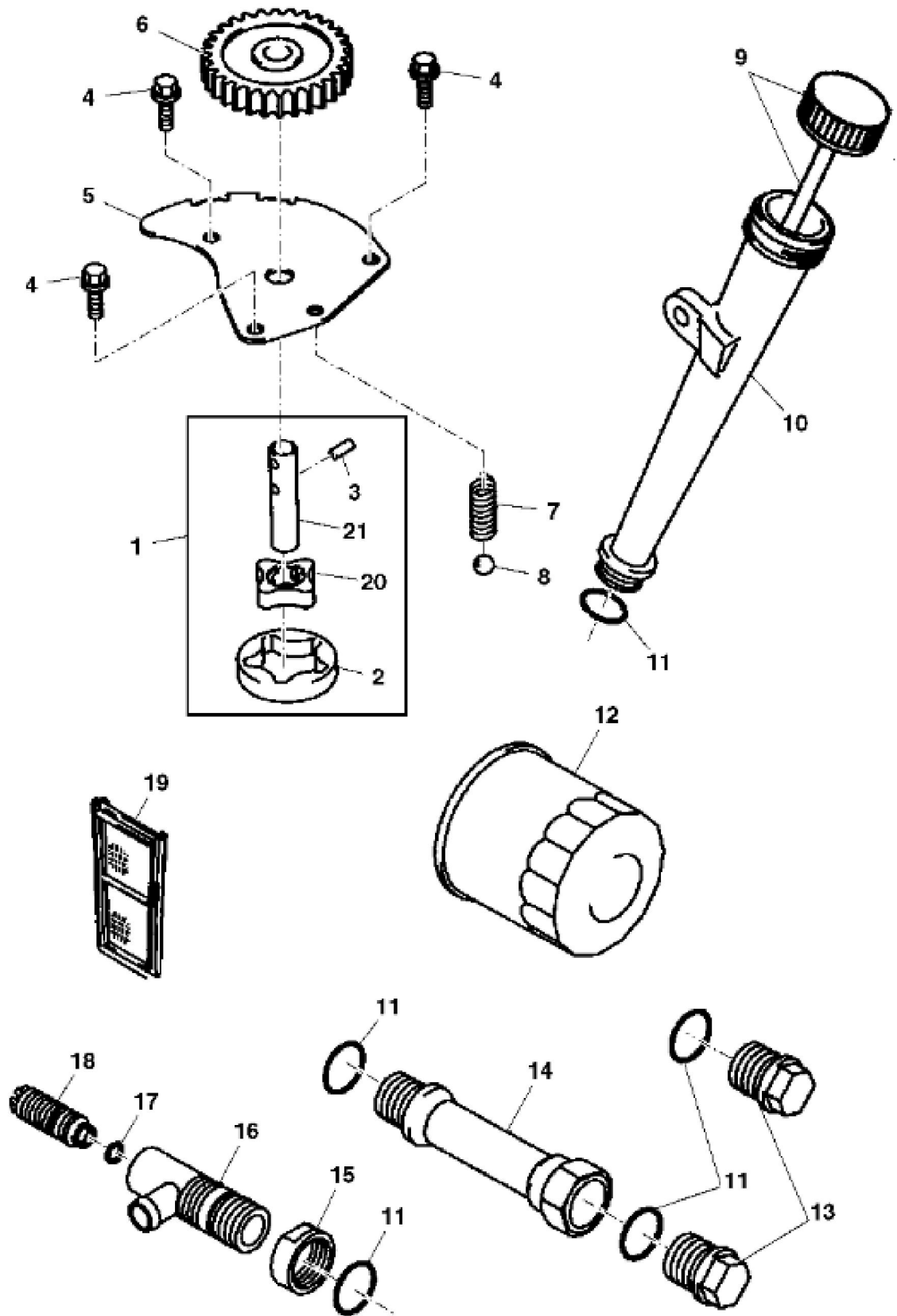
KEY	PART NO.	PART NAME	QTY	REMARKS
1	AM128738	PISTON RING KIT	2	
1	AM132069	PISTON RING KIT	1	0.50 MM (0.020") OS
2	M138398	SNAP RING	4	(SUB FOR M140233)
3	M138397	PISTON PIN	2	
4	M143319	PISTON	2	
4	M146875	PISTON	1	0.50 MM (0.020") OS
5	AM128740	CONNECTING ROD	2	(ENGINE MARKED FH601V-AS15)
5	MIA10804	CONNECTING ROD	1	(ENGINE MARKED FH601V-BS15) (INCLUDES 2 RODS), (SUB FOR AM132025)
6	M147310	BOLT	2	MARKED FH601V-AS15; SUB FOR PT12040
6	M146763	BOLT	2	(ENGINE MARKED FH601V-BS15)
7	AM132335	CRANKSHAFT	1	(ENGINE MARKED FH601V-AS15)
7	AM132429	CRANKSHAFT	1	(ENGINE MARKED FH601V-BS15)
7	AM133965	CRANKSHAFT	1	(USE WITH MIA10990)



MP19276

John Deere > Turf And Utility >TRACTOR, LAWN AND GARDEN >GT245 - TRACTOR, LAWN AND GARDEN >GT245 Lawn Tractor >20 ENGINE (FH601V-AS15, BS15) MM13659 >ST585526 - CAMSHAFT AND VALVES

KEY	PART NO.	PART NAME	QTY	REMARKS
1	M146877	GUIDE	2	PUSH ROD
2	M146879	PUSH ROD	4	
3	M138403	TAPPET	4	
4	M147596	EXHAUST VALVE	2	(SUB FOR M140235)
5	M140241	SPRING	4	
6	M138401	RETAINER	4	
7	M146881	BOLT	4	
8	M118845	RETAINER	4	(2 HALVES EACH)
9	M146876	ROCKER ARM	4	
10	M92891	NUT	4	
11	M138410	SCREW	4	
12	M140234	INTAKE VALVE	2	
13	AM130638	CAMSHAFT	1	(SUB MIA10793) (ALSO ORDER M146882 AND MIU11231)
14	M138413	EXTENSION SPRING	1	
15	M140240	PLATE	1	
16	M140238	GUIDE	1	
17	MIU10971	BALL	6	(SUB FOR M138412)
18	M138411	SNAP RING	2	
19	M146880	PLATE	1	(SUB FOR M138406)
20	MIU10708	SLEEVE	1	NLA;ORDER MIU13044; SUB FOR M138408 OR M149875
20	MIU13044	SLEEVE	1	
21	M138415	WASHER	1	



Thank you so much for reading.
Please click the “Buy Now!”
button below to download the
complete manual.



After you pay.

You can download the most
perfect and complete manual in
the world immediately.

Our support email:

ebooklibonline@outlook.com