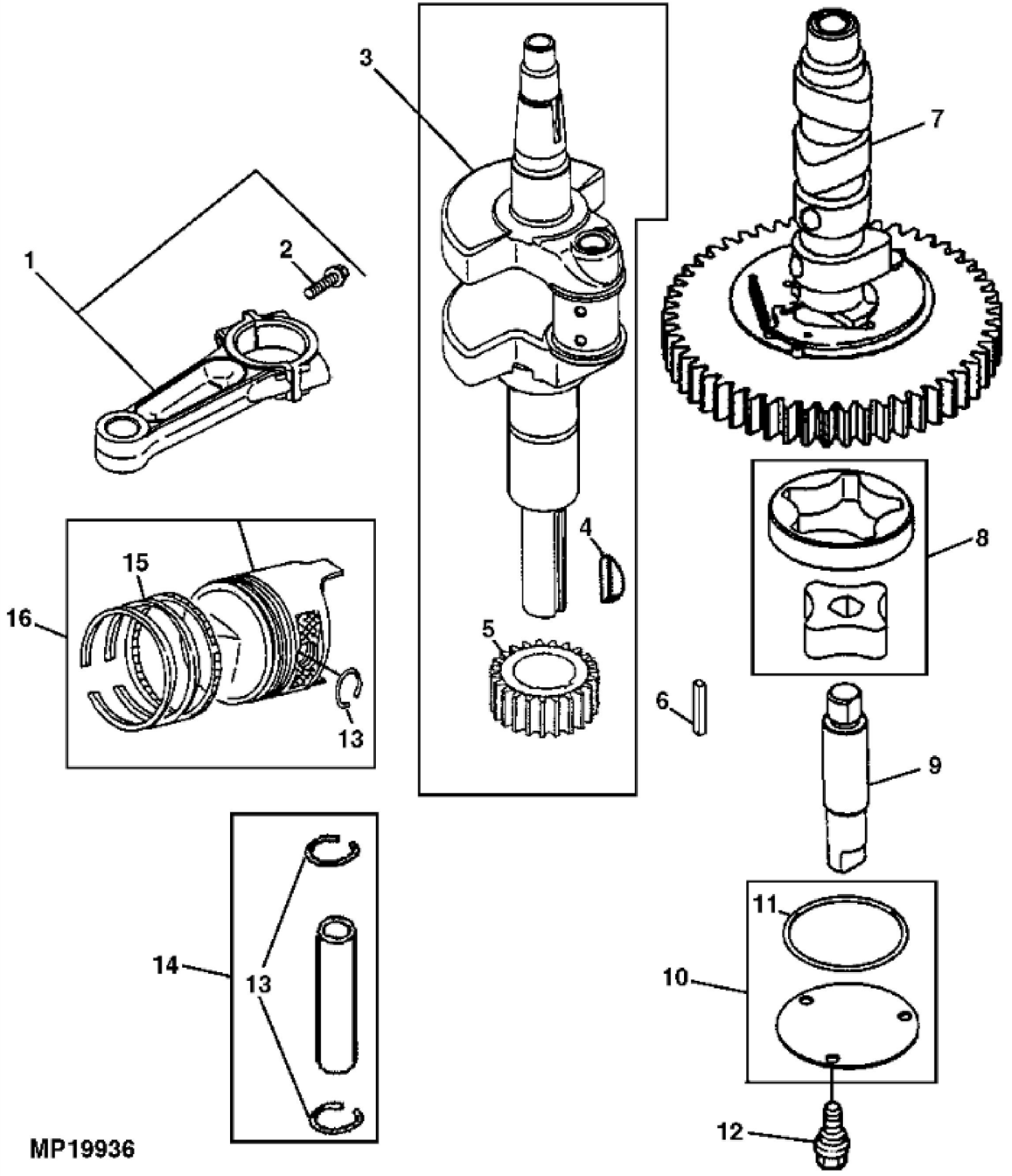


MP25182

John Deere > Turf And Utility >TRACTOR, LAWN AND GARDEN >S2546 - TRACTOR, LAWN AND GARDEN >Scott's S2546 Special Edition Lawn Tractor >20 ENGINE AM129833 >ST644239 - CYLINDER BLOCK AND DIPSTICK

KEY	PART NO.	PART NAME	QTY	Serial No.	REMARKS
1	UC11104	DIPSTICK	1		SUB FOR LG499602
2	LG691031	O-RING	1		(SUB FOR LG280393)
3	LG691036	DIPSTICK	1		
4	LG691032	SEAL	1		
5	LG691037	OIL TUBE	1		
6	M153266	SCREW	1		
7	LG391086S	SEAL	1		(SUB FOR LG391086)
8	MIA11778	SEAL KIT	1		(SUB FOR LG499585)
9	LG690959	DOWEL PIN	1		
10	AM129796	CYLINDER	1		NLA
11	MIU14436	GASKET	1		SUB FOR M150226, LG690945 AND MIU13979
12	LG690770	SCREEN	1		NLA; ORDER MIU12709
12	MIU12709	SCREEN	1		
13	LG691680	DRAIN PLUG	1		
14	LG690954	THREADED NIPPLE	1		
15	15H638	PIPE PLUG	1		1/8"
16	MIU11958	SEAL	1		(SUB FOR LG690947 OR MIU11212)
17	M142284	SEAL	1		NLA; ORDER MIU11284; Governor Shaft
17	MIU11284	SEAL	1		
18	M142281	BUSHING	1		GOVERNOR CRANK; NLA; ORDER MIU12503
18	MIU12503	BUSHING	1		
19	LG690069	RESERVOIR	1		
20	AM125424	OIL FILTER	1		
21	LG690957	RETAINER	1		
22	MIU11502	BREATHER	1		(SUB FOR LG690956)
23	37H73	SCREW	3		8 X 1/2, (SUB FOR LG690960)
24	LG690942	STRUCTURAL TUBE	1		ORDER MIU11280
24	MIU14443	TUBE	1		SUB FOR MIU11280
25	LG690937	GASKET	1		
26	MIA10872	BREATHER	1		(SUB FOR LG499601)
27	M142896	SCREW	10		(SUB FOR M142270)
28	PMK010-0812	BULK HOSE	AR		
29	AM119686	DRAIN VALVE	1		
30	19M7897	SCREW	2		M8 X 35, (ENGINE MOUNTING)

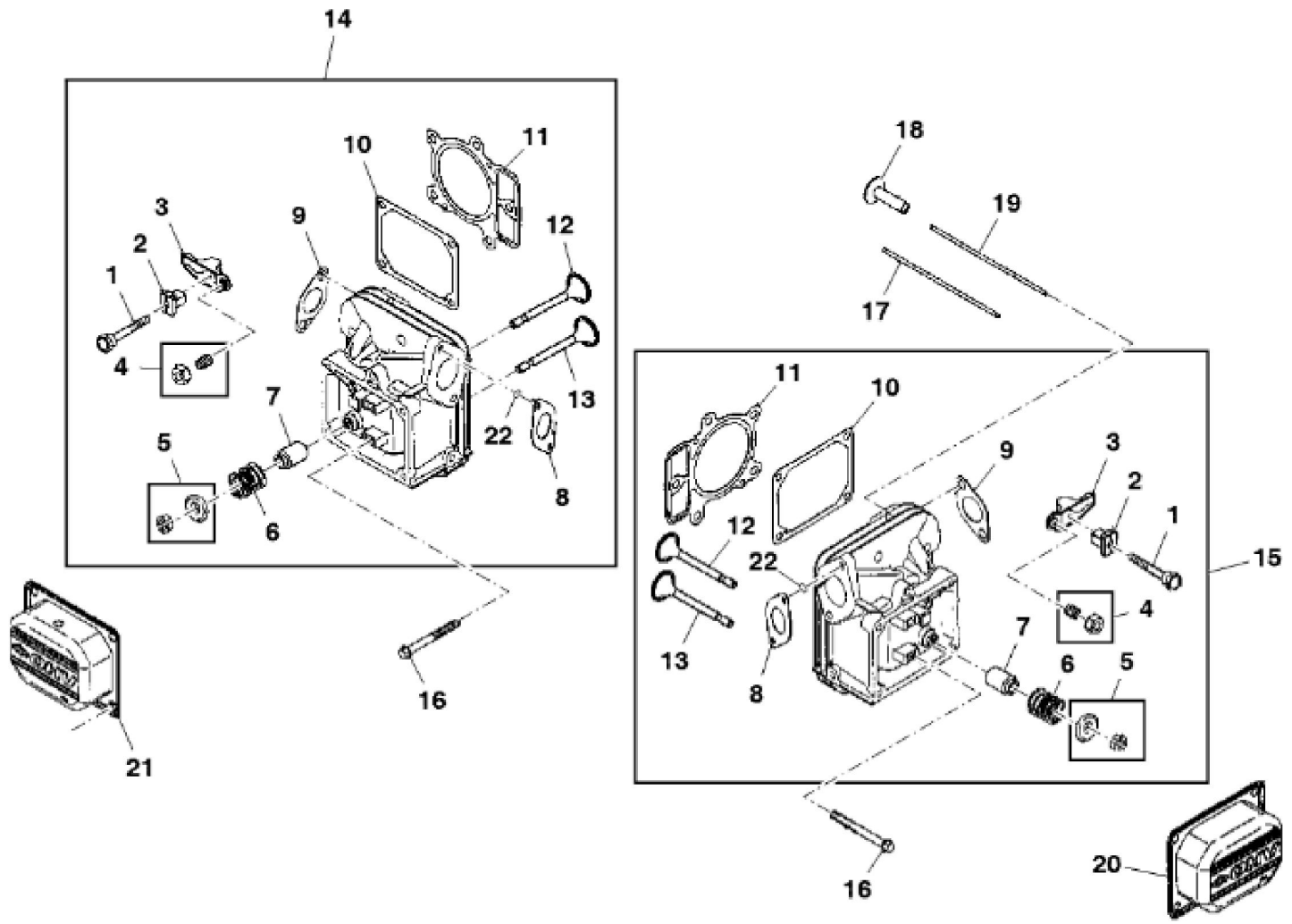
KEY	PART NO.	PART NAME	QTY	Serial No.	REMARKS
31	14M7298	FLANGE NUT	4		M8
32	24H1621	WASHER	2	____-014033	11/32" X 1" X 0.220"
32	24H1887	WASHER	2	014034-____	11/32" X 1" X 0.134"
33	19M7798	SCREW	2		M8 X 40, ENGINE MOUNTING
34	LG491657S	PRESSURE SWITCH	1		OIL
..	AM129833	ENGINE	1		
..	LG272923	LABEL	1		BRIGGS AND STRATTON LOGO



MP19936

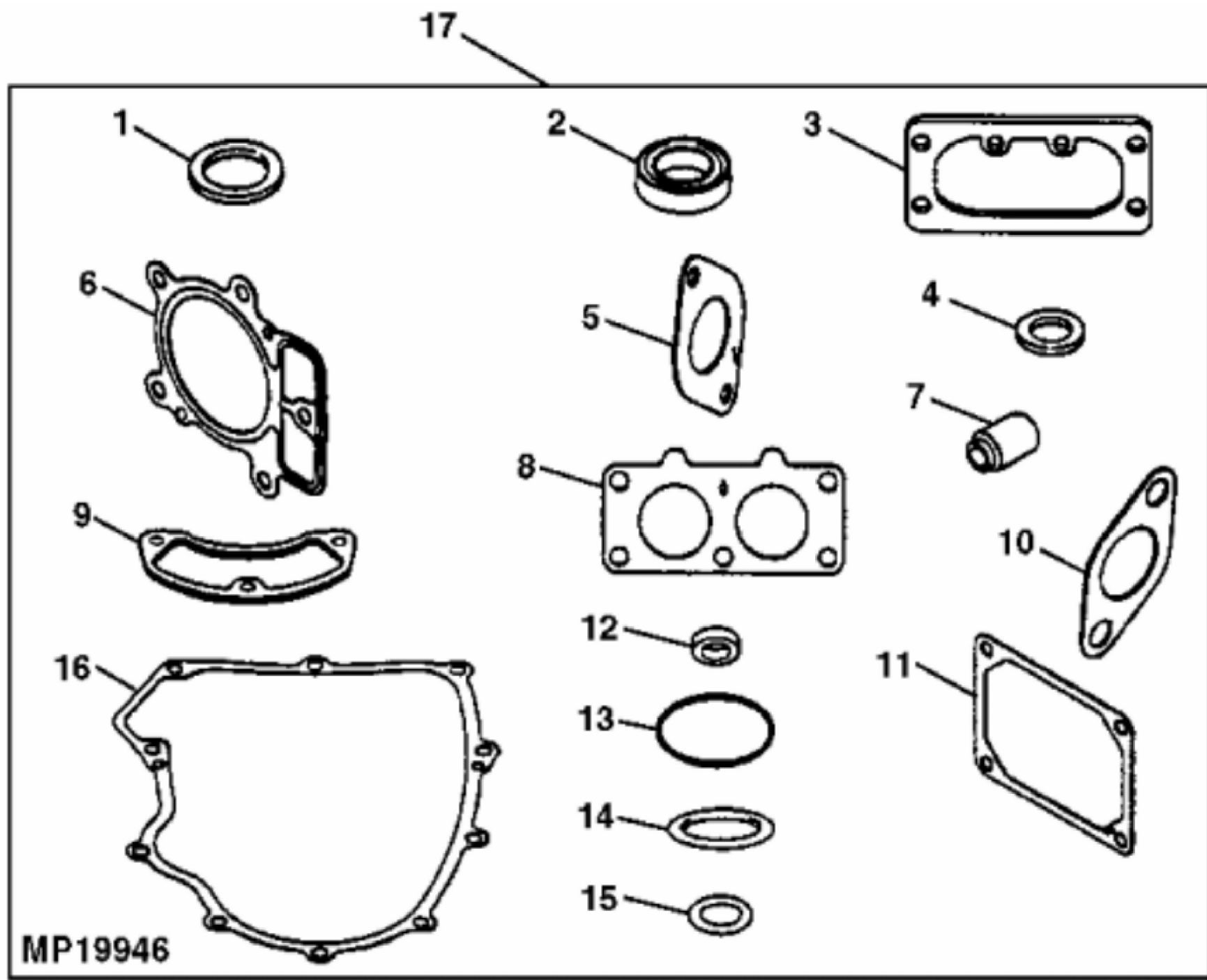
John Deere > Turf And Utility >TRACTOR, LAWN AND GARDEN >S2546 - TRACTOR, LAWN AND GARDEN >Scott's S2546 Special Edition Lawn Tractor >20 ENGINE AM129833 >ST644240 - CRANKSHAFT AND PISTON

KEY	PART NO.	PART NAME	QTY	REMARKS
1	MIA11459	CONNECTING ROD	2	(SUB FOR LG499583 OR AM135101)
2	LG690976	SCREW	2	
3	LG691046	CRANKSHAFT	1	
4	26H4	SHAFT KEY	1	1/8" X 3/8"
5	LG690980	GEAR	1	TIMING
6	LG222698S	SHAFT KEY	1	
7	LG690978	GEAR	1	CAM
8	MIA11172	OIL PUMP	1	(SUB FOR LG499054)
9	LG691042	SHAFT	1	NLA; ORDER MIA11172
9	MIA11172	OIL PUMP	1	
10	LG499613	COVER	1	
11	LG690589	SEAL	1	
12	LG691033	SCREW	3	ORDER MIU11119; Pump Cover
12	MIU11119	SCREW	3	
13	LG690975	LOCK	2	
14	LG690229	PISTON PIN	2	
15	AM129799	PISTON RING KIT	1	STD, (SUB MIA10996)
15	AM129800	PISTON RING KIT	1	.50 MM (.020") OS
15	MIU11282	PISTON RING KIT	1	SUB FOR MIU11453; STD
16	MIA10996	PISTON	2	STD, (SUB FOR AM129798)
16	AM129797	PISTON	2	.50 MM (.020") OS, (NLA)



John Deere > Turf And Utility >TRACTOR, LAWN AND GARDEN >S2546 - TRACTOR, LAWN AND GARDEN >Scott's S2546 Special Edition Lawn Tractor >20 ENGINE AM129833 >ST644241 - CYLINDER HEAD

KEY	PART NO.	PART NAME	QTY	REMARKS
1	LG690967	CAP SCREW	1	
2	MIU11035	ROCKER ARM	1	PIVOT, (SUB FOR LG690973)
3	LG690972	ROCKER ARM	1	
4	LG690083	ADJUSTER	1	
5	LG499586	RETAINER	1	
6	MIU11281	SPRING	2	(SUB FOR LG690963)
6	MIU11281	SPRING	2	(USE WITH MIA11456)
7	LG690968	SEAL	1	VALVE
8	LG690949	GASKET	1	INTAKE
9	LG690970	GASKET	1	EXHAUST
10	LG690971	GASKET	1	ROCKER COVER
11	LG690962	ENGINE CYLINDER HEAD GASKET	1	RH
11	M142274	ENGINE CYLINDER HEAD GASKET	1	LH
12	MIA10874	INTAKE VALVE	1	(SUB FOR LG499597 OR AM132835)
13	LG499596	EXHAUST VALVE	1	
13	MIA11171	EXHAUST VALVE	1	(USE WITH MIA11456)
14	MIA10846	CYLINDER HEAD	1	RH, (SUB FOR LG499587 OR AM130394)
15	MIA11456	CYLINDER HEAD	1	LH, (SUB FOR LG499595 OR M144989 OR MIA10876)
16	LG690360	SCREW	4	
17	LG690981	PUSH ROD	2	EXHAUST (STEEL)
18	LG690977	TAPPET	4	
19	LG690982	PUSH ROD	2	INTAKE (ALUMINUM)
20	LG499600	COVER	1	LH, (INCLUDES LG690971)
21	LG499599	COVER	1	RH, (INCLUDES LG690971)
22	MIU10608	O-RING	1	NLA; ORDER LG691917
22	LG691917	GASKET	2	
..	37H73	SCREW	8	ROCKER COVER



Thank you so much for reading.
Please click the “Buy Now!”
button below to download the
complete manual.



After you pay.

You can download the most
perfect and complete manual in
the world immediately.

Our support email:

ebooklibonline@outlook.com