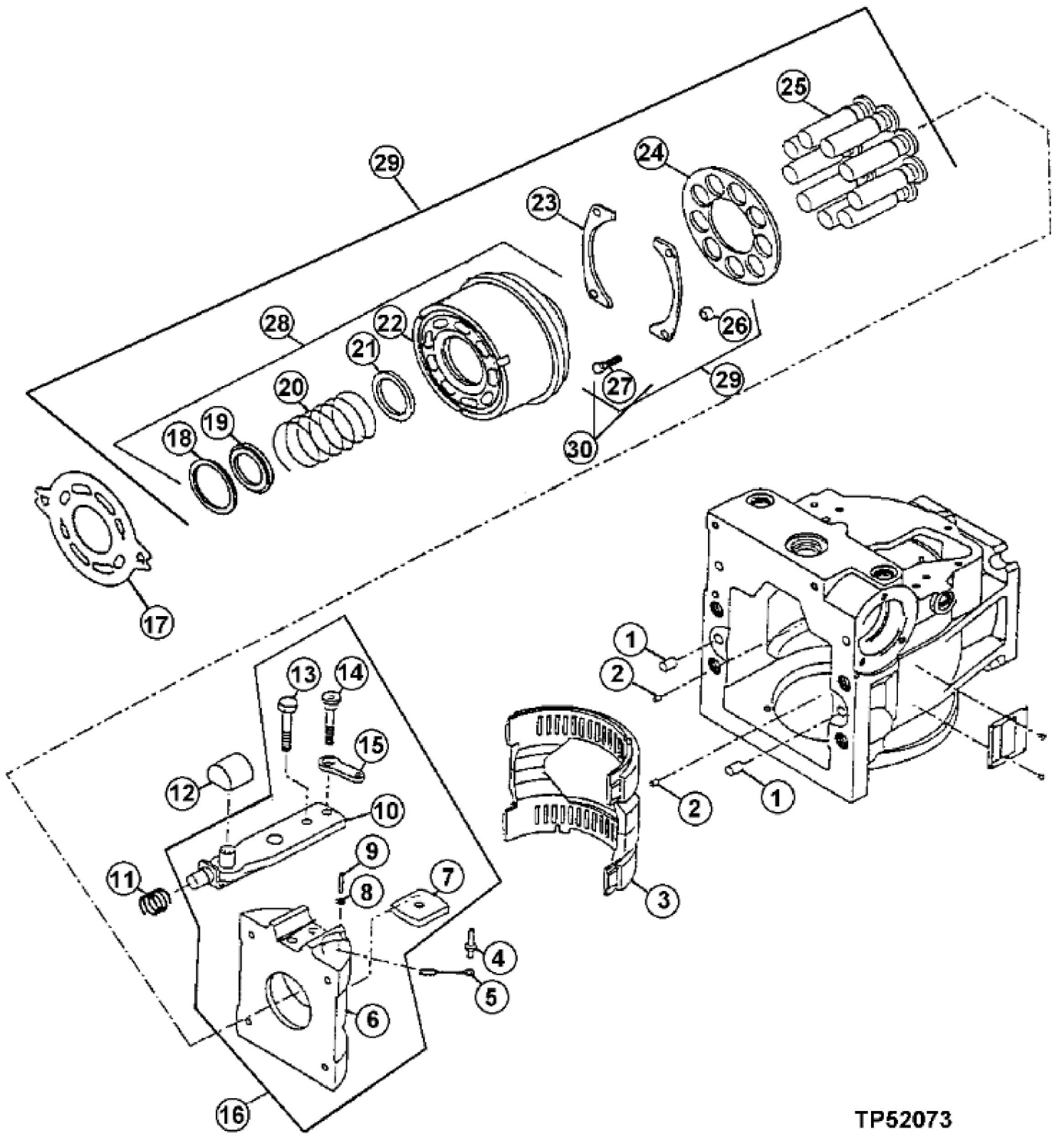


TP52072

John Deere > Construction And Forestry > BULLDOZER > 700H - BULLDOZER > 700H Crawler Dozer > 03 TRANSMISSION 3 > 0355 VARIABLE SPEED DRIVES > ST263969 - HYDROSTATIC PUMP LIMITATION CONTROL, DRIVE SHAFT AND SIDE COVER ASSEMBLY

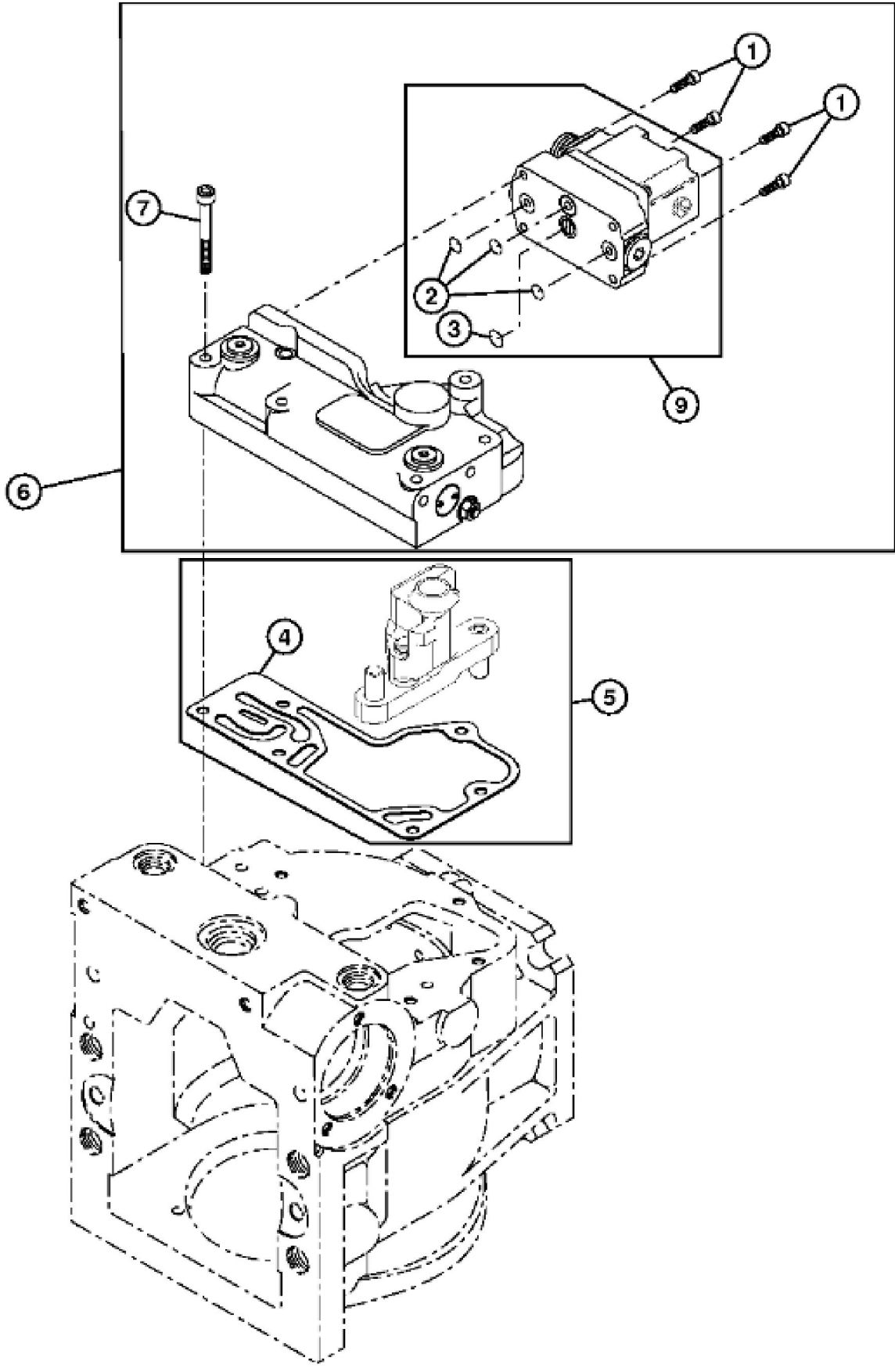
KEY	PART NO.	PART NAME	QTY	Serial No.	REMARKS
1	T177597	BEARING	1		
2	T15509	SNAP RING	1		
3	N206810	SHAFT	1		(REAR)
3	T178726	SHAFT	1		(FRONT)
4	R151103	PISTON RING	2		
5	T176262	O-RING	2		
6	RE151101	PISTON REPLACEMENT KIT	1		(SERVO PISTON)
7	R151097	O-RING	1		
8	T35580	O-RING	1		
9	19M7932	CAP SCREW	3		M8 X 16
10	RE151096	CYLINDER	1		(SERVO KIT)
11	T177595	POST	2		(GUIDE)
12	AT362739	LEVER KIT	1		(SUB FOR AT220771 AND AT350790)
13	E80224	O-RING	1		
14	RE151074	INSERT	1		(SIDE COVER)
15	T155641	SCREW	6		
16	T155640	NUT	2		
17	T64769	DRAIN PLUG	1	_____-908629	
18	R151067	COVER	1		(SIDE)
19	R151069	SHIM	2		
20	R151097	O-RING	1		
21	T35580	O-RING	1		
22	19M7932	CAP SCREW	3		M8 X 16
23	RE151096	CYLINDER	1		(SERVO KIT)
24	R151072	SPRING	2		(COMPRESSION)
25	AN220311	SEAL KIT	1		(OVERHAUL)



TP52073

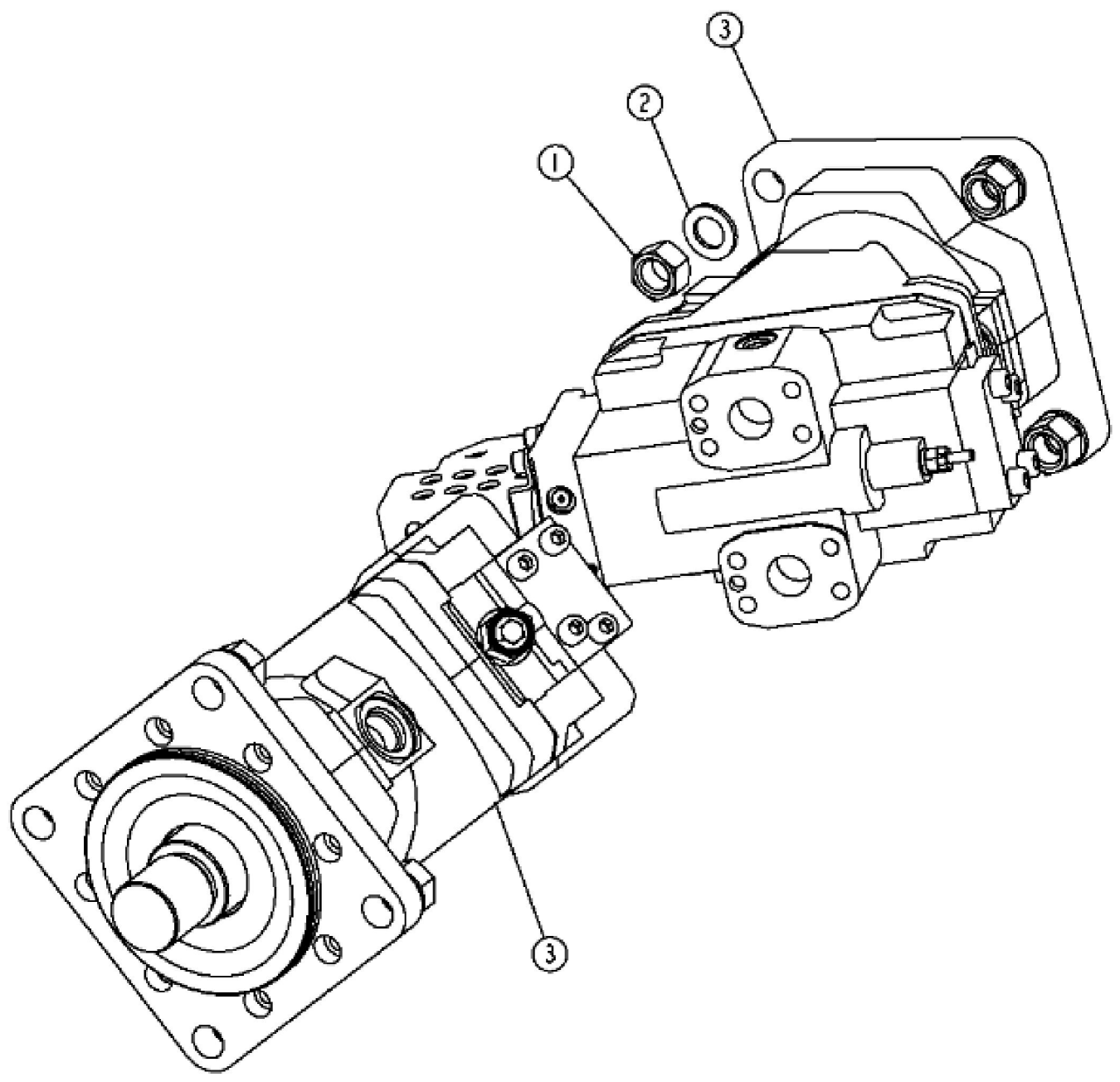
John Deere > Construction And Forestry > BULLDOZER > 700H - BULLDOZER > 700H Crawler Dozer > 03 TRANSMISSION 3 > 0355 VARIABLE SPEED DRIVES > ST263970 - HYDROSTATIC PUMP HOUSING, SWASHPLATE, PISTON AND CYLINDER BLOCK ASSEMBLY

KEY	PART NO.	PART NAME	QTY	Serial No.	REMARKS
1	R726R	DOWEL PIN	2		
2	T155936	PIN	2		
3	R151062	BEARING	1		
4	RE159656	PIN	1		
5	R151065	LINK	1		(CAGE LOCATOR)
6	T176242	SWASH PLATE	1		(VARIABLE)
7	AT214873	GUIDE	1		(SWASH PLATE)
8	T24199	WASHER	1		
9	AT214874	PIN FASTENER	1		(SPIRAL)
10	AT220770	ACTUATOR	1		(SERVO ARM)
11	R151066	SPRING	1		
12	R151075	CLAMP	1		(SLIDER BLOCK)
13	T176243	SCREW	1		
14	T176244	SCREW	1		
15	T176245	LINK	1		(SUB FOR T179641)(FEEDBACK)
16	RE151064	YOKE	1		(SWASHPLATE ASSEMBLY)
17	R151063	PLATE	1		
18	T176259	RING	1		(RETAINING)
19	T176258	PLATE	1		(SPRING RETAINER)
20	T176256	SPRING	1		
21	T176257	SPRING WASHER	1		(SEAT)
22	T176260	RING	1	____-920838	(SPEED)
23	R151099	BEARING	2		(SLIPPER GUIDE)
24	N220940	GUIDE	1		(SLIPPER)
25	AN220419	PISTON	9		(WELDED ASSEMBLY)
26	T177594	SPACER	4		
27	T176261	SCREW	4		
28	AT221619	CYLINDER	1		(BLOCK ASSEMBLY WITH SPEED RING)
29	AT221620	CYLINDER BLOCK	1	____-920838	(KIT WITH SPEED RING)
29	AT224344	CYLINDER BLOCK	1	920839-____	(KIT WITHOUT SPEED RING)
30	AN220311	SEAL KIT	1		(OVERHAUL)(PARTS INCLUDED ON OTHER PAGES)



John Deere > Construction And Forestry >BULLDOZER >700H - BULLDOZER >700H Crawler Dozer >03 TRANSMISSION 3 >0355 VARIABLE SPEED DRIVES >ST263971 - HYDROSTATIC PUMP
DISPLACEMENT CONTROL VALVE

KEY	PART NO.	PART NAME	QTY	REMARKS
1	19M7600	SCREW	4	M5 X 12
2	T164365	O-RING	3	
3	T200765	O-RING	1	
4	R151090	GASKET	1	(CONTROL)
5	AT310345	LINKAGE	1	
6	AT220779	HYD ACTUATED CONTROL VALVE	1	(ELECTRONIC DISPLACEMENT)
7	19M8541	SCREW	6	M6 X 50
9	AT220775	HYD ACTUATED CONTROL VALVE	1	(PRESSURE CONTROL PILOT)



TP67595

Thank you so much for reading.
Please click the “Buy Now!”
button below to download the
complete manual.



After you pay.

You can download the most
perfect and complete manual in
the world immediately.

Our support email:

ebooklibonline@outlook.com