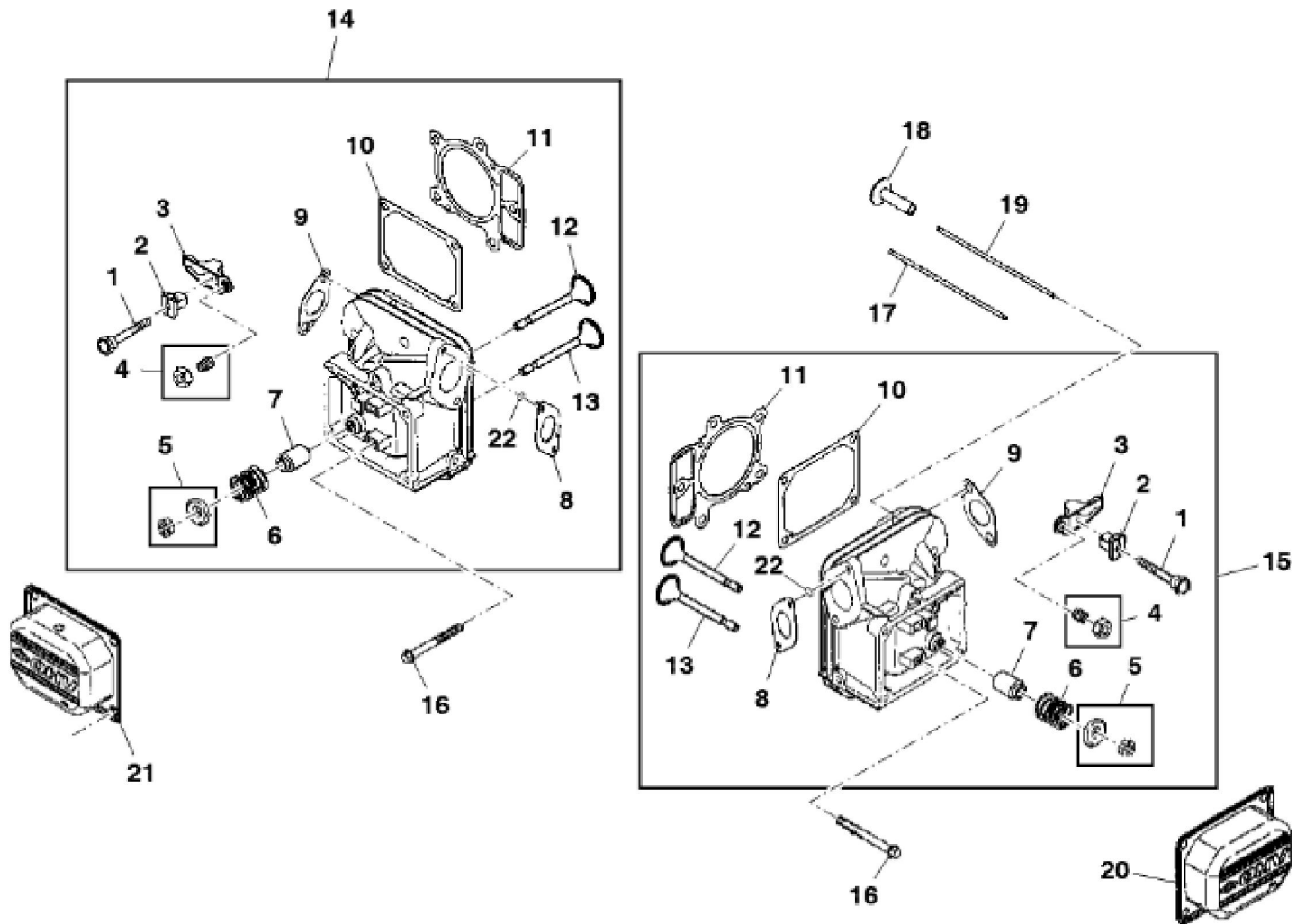


MP23159

KEY	PART NO.	PART NAME	QTY	REMARKS
1	UC11104	DIPSTICK	1	SUB FOR LG499602
2	LG691031	O-RING	1	(SUB FOR LG280393)
3	LG691036	DIPSTICK	1	
4	LG691032	SEAL	1	
5	LG691037	OIL TUBE	1	
6	M153266	SCREW	1	
7	LG391086S	SEAL	1	(SUB FOR LG391086)
8	MIA11778	SEAL KIT	1	(SUB FOR LG499585)
9	LG690959	DOWEL PIN	1	
10	LG690231	CYLINDER	1	(SUB FOR LG499584)
10	MIA11033	CYLINDER	1	NLA: ORDER MIA12510; USE WITH MIA10361
10	MIA13076	CYLINDER	1	SUB FOR MIA12510
11	MIU14436	GASKET	1	SUB FOR M150226, LG273488, LG690945 AND MIU13979
12	LG690770	SCREEN	1	(SUB FOR LG491722); NLA ORDER MIU12709
12	MIU12140	SCREEN	1	(USE WITH MIA11584)
12	MIU12709	SCREEN	1	
13	LG691680	DRAIN PLUG	1	
13	LG690946	DRAIN PLUG	1	NLA; ORDER 15H623 (USE WITH MIA11584)
13	15H623	PIPE PLUG	1	3/8"
14	LG690954	THREADED NIPPLE	1	(SUB FOR LG231573)
15	15H638	PIPE PLUG	1	1/8"
16	MIU11958	SEAL	1	(SUB FOR LG690947 OR MIU11212)
17	M142284	SEAL	1	NLA; ORDER MIU11284; Governor Shaft
17	MIU11284	SEAL	1	USE WITH MIA11584
18	M142281	BUSHING	1	GOVERNOR CRANK; NLA; ORDER MIU12503
18	MIU12503	BUSHING	1	(USE WITH MIA11584)
19	LG690069	RESERVOIR	1	
19	MIA11584	RESERVOIR	1	(USE WITH MIA10361) (ALSO INCLUDES MIU12143, MIA11464 AND (3) MIU12142)
20	AM125424	OIL FILTER	1	
21	LG690957	RETAINER	1	
22	MIU11502	BREATHER	1	(SUB FOR LG690956)
23	37H73	SCREW	3	8 X 1/2, (SUB FOR LG690960)
24	LG690942	STRUCTURAL TUBE	1	ORDER MIU11280

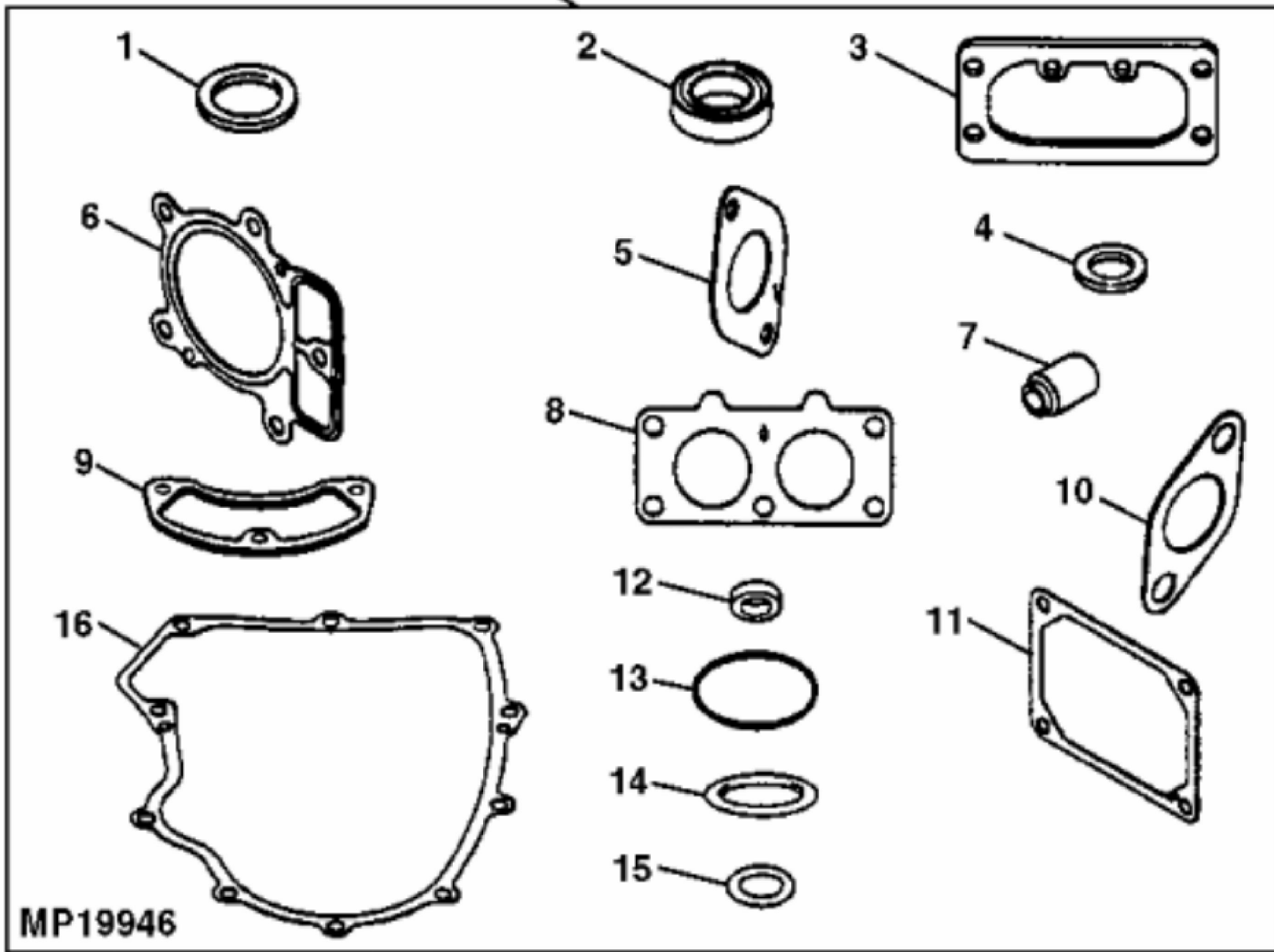
KEY	PART NO.	PART NAME	QTY	REMARKS
24	MIU14443	TUBE	1	SUB FOR MIU11280
25	LG690937	GASKET	1	(SUB FOR LG273370)
26	MIA10872	BREATHER	1	(SUB FOR LG499601)
27	M142896	SCREW	10	
28	TY22562	BULK HOSE	1	1/2"
29	AM119686	DRAIN VALVE	1	
30	LG691045	CRANK	1	GOVERNOR
31	M142282	BUSHING	2	
32	M142286	RETAINER	1	
33	M142280	WASHER	1	
34	19M7897	SCREW	2	M8 X 35
35	14M7298	FLANGE NUT	4	M8
36	19M7798	SCREW	2	M8 X 40
37	24H1887	WASHER	2	11/32" X 1" X 0.134"
38	LG491657S	PRESSURE SWITCH	1	(ENGINE MARKED 407777-0027-E1)
..	LG499783	LABEL KIT	1	NLA; Emission (Engine Marked 406777-0115-E1)
..	AM131026	LABEL KIT	1	ENGINE (ENGINE MARKED 407777-0027-E1)
..	ENGINE	1	(MARKED 407777-0027-E1) (SUB GY00135)
..	AM128538	ENGINE	1	(MARKED 406777-0115-E1) (SUB FOR GY00135)
..	MIA10361	GASOLINE ENGINE	1	(SUB FOR GY00135 OR AM128538 OR AM133843)
..	GX10553	LABEL	1	

KEY	PART NO.	PART NAME	QTY	REMARKS
1	MIA11459	CONNECTING ROD	2	(SUB FOR LG499583 OR AM135101)
2	LG690976	SCREW	4	
3	LG691046	CRANKSHAFT	1	
3	MIA11457	CRANKSHAFT	1	(USE WITH MIA10361)
4	26H67	SHAFT KEY	1	1/8" X 3/8", (SUB FOR 26H4)
5	LG690980	GEAR	1	TIMING
6	LG222698S	SHAFT KEY	1	FLYWHEEL
7	LG690978	CAMSHAFT	1	
7	M151221	CAMSHAFT	1	(USE WITH MIA10361)
8	MIA11172	OIL PUMP	1	(SUB FOR LG499054)
8	MIU12143	OIL PUMP	1	(USE WITH MIA11584)
9	LG691042	SHAFT	1	NLA; ORDER MIA11172
9	MIA11172	OIL PUMP	1	
10	LG499613	COVER	1	Pump
10	MIA11464	COVER	1	USE WITH MIA11584
11	LG690589	SEAL	1	
12	LG691033	SCREW	3	ORDER MIU11119; Pump Cover
12	MIU11119	SCREW	3	
12	MIU12142	SCREW	3	USE WITH MIA11584
13	LG690975	LOCK	2	
14	LG690229	PISTON PIN	2	
15	LG499604	PISTON RING KIT	1	STD
15	LG499606	PISTON RING KIT	1	.50 MM (.020") OS, (SUB MIA11102)
15	MIU12013	PISTON RING KIT	1	STD, (USE WITH MIA11346) (SUB FOR MIU12180)
15	MIU11282	PISTON RING KIT	1	(SUB FOR MIU11453)
16	LG499588	PISTON REPLACEMENT KIT	2	NLA; ORDER MIA11346; STD
16	LG499590	PISTON REPLACEMENT KIT	2	.50 MM (.020") OS, NLA; ORDER MIA11102
16	MIA10996	PISTON	2	(USE WITH MIA10361)
16	MIA11346	PISTON	2	
..	MIA11102	PISTON REPLACEMENT KIT	2	.50 MM (.020") OS, (INCLUDES PISTON, RINGS AND LOCK)



KEY	PART NO.	PART NAME	QTY	REMARKS
1	LG690967	CAP SCREW	1	(SUB FOR LG95164)
2	MIU11035	ROCKER ARM	1	PIVOT, (SUB FOR LG690973)
3	LG690972	ROCKER ARM	1	
4	LG690083	ADJUSTER	1	
5	LG499586	RETAINER	1	
5	M144618	RETAINER	1	KEEPER
6	MIU11281	SPRING	2	(SUB FOR LG263163 OR LG690963)
6	MIU11281	SPRING	2	(USE WITH MIA11456)
7	LG690968	SEAL	1	VALVE
7	VALVE	2	GUIDE, (ORDER MIA10846 OR MIA10876)
8	LG690949	GASKET	1	INTAKE, (SUB FOR LG273487)
9	LG690970	GASKET	1	EXHAUST
10	LG690971	GASKET	1	ROCKER COVER, (SUB FOR LG273486)
11	LG690962	ENGINE CYLINDER HEAD GASKET	1	CYLINDER NO.1
11	M142274	ENGINE CYLINDER HEAD GASKET	1	CYLINDER NO.2
12	MIA10874	INTAKE VALVE	1	(SUB FOR LG499597 OR AM132835)
13	LG499596	EXHAUST VALVE	1	
13	MIA11171	EXHAUST VALVE	1	(USE WITH MIA11456)
14	MIA11455	CYLINDER HEAD	1	(NO.1) (SUB FOR LG499587, AM130934 OR MIA10846)
15	MIA11456	CYLINDER HEAD	1	(NO.2) (SUB FOR LG499595 OR M144989 OR MIA10876)
16	LG690360	SCREW	4	(SUB FOR LG94728)
16	MIU11036	SCREW	10	(USE WITH MIA10361)
17	LG690981	PUSH ROD	1	EXHAUST (STEEL) (SUB FOR LG498746)
18	LG690977	TAPPET	4	
19	LG690982	PUSH ROD	1	INTAKE (ALUMINUM) (SUB FOR LG498745)
20	LG499600	COVER	1	ROCKER (CYLINDER NO.2)
21	LG499599	COVER	1	ROCKER (CYLINDER NO.1)
22	MIU10608	O-RING	2	NLA; ORDER LG691917
22	LG691917	GASKET	2	

17



Thank you so much for reading.
Please click the “Buy Now!”
button below to download the
complete manual.



After you pay.

You can download the most
perfect and complete manual in
the world immediately.

Our support email:

ebooklibonline@outlook.com