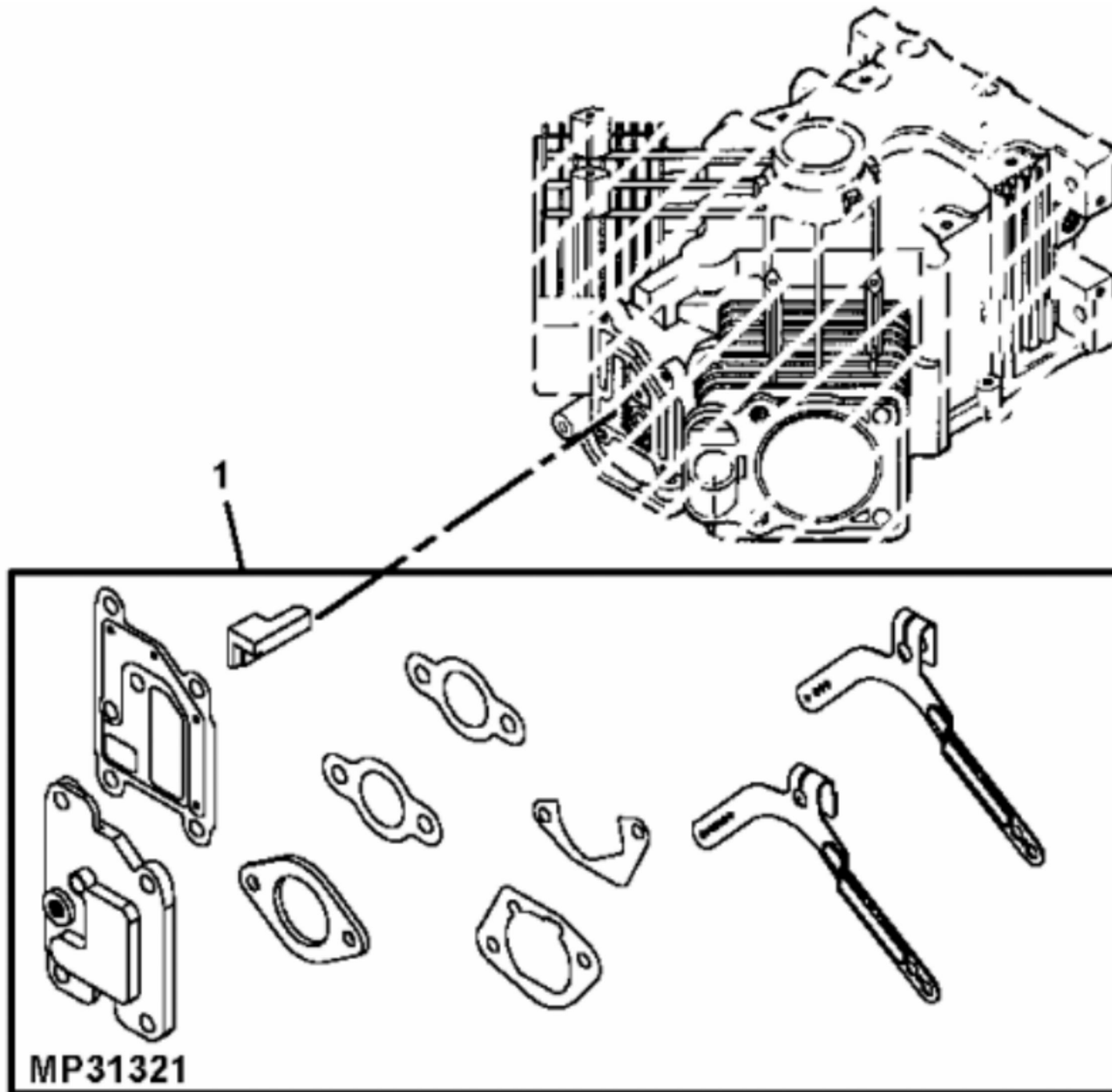


MP28880

MM13514 >ST567768 - CYLINDER HEAD

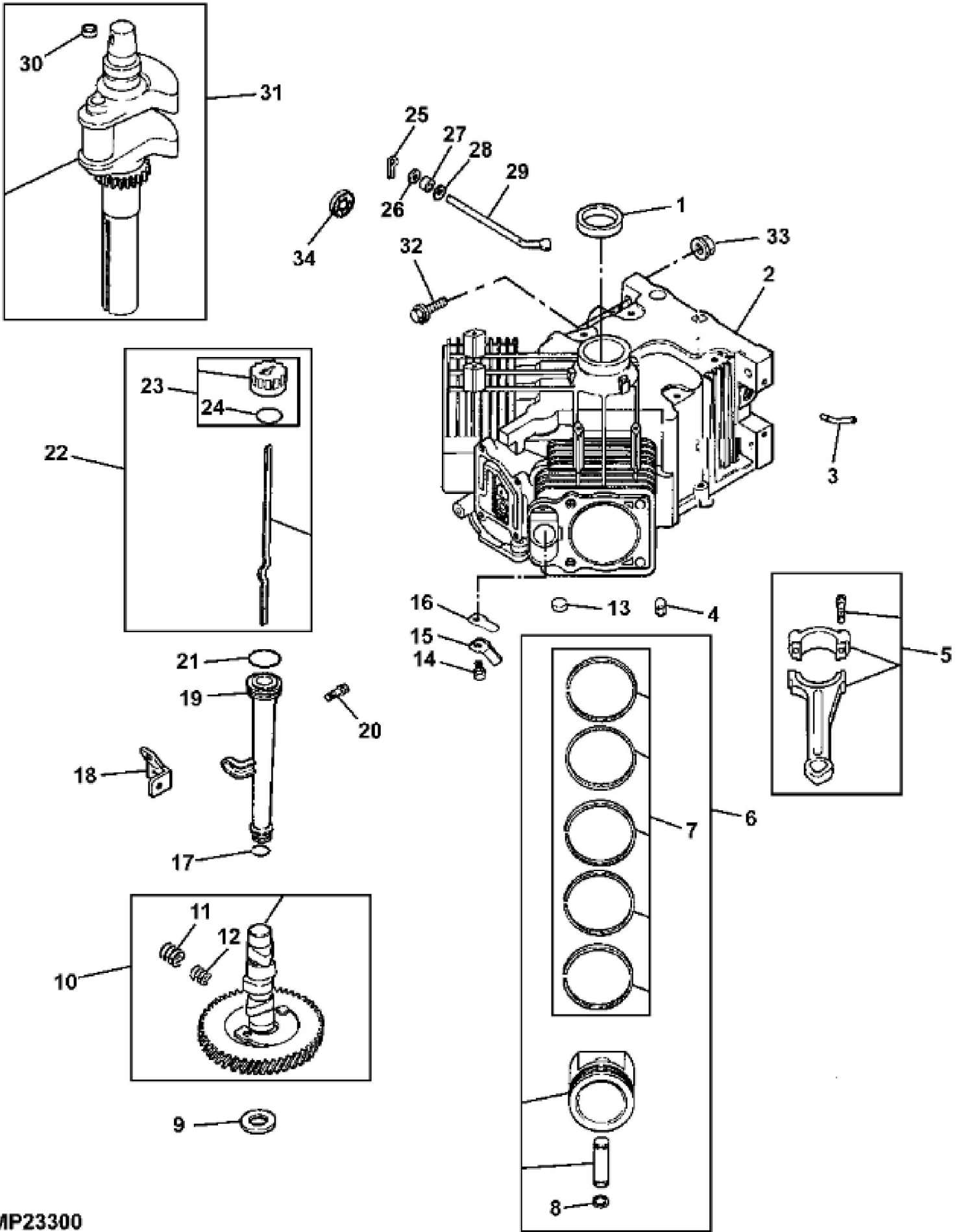
KEY	PART NO.	PART NAME	QTY	REMARKS
1	M148338	GROMMET	1	(SUB FOR M134911)
2	M132350	SCREW	4	
3	M133067	O-RING	2	
4	AM134352	VALVE COVER	1	(WITH BREATHER, RH) (SUB FOR AM126264)
5	AM128624	CYLINDER HEAD	1	(NO. 1) (ENGINE MARKED CV20S-65560) (SUB AM130723, (4) M143942, (4) M143943 AND (4) M143944)
5	AM130723	CYLINDER HEAD	1	(NO. 1) (ENGINE MARKED CV20S-65571)
6	AM107043	RETAINER	4	
7	M92203	CAP	4	
8	M132352	SPRING	4	
9	M43123	RETAINER	4	
10	M92202	SEAL	2	
11	M132353	INTAKE VALVE	2	(STD)
11	M132354	INTAKE VALVE	2	.25 MM (.010") OS
12	M132355	EXHAUST VALVE	2	(STD)
12	M132356	EXHAUST VALVE	2	.25 MM (.010") OS
13	MIU12491	GASKET	1	(SEE SIB 03-11-05-1) (SUB FOR M132366 OR M150647)
14	M148331	COVER	1	(SEE SIB 03-11-05-1) (SUB FOR M138823)
15	AM126260	BREATHER	1	(SEE SIB 03-11-05-1)
16	15H558	PIPE PLUG	1	1/8"
17	MIU13278	VALVE LIFTER	4	SUB FOR M137271 or MIU11034 or MIU12989
18	M132357	PUSH ROD	4	(A)
19	M141731	ENGINE CYLINDER HEAD GASKET	2	(SUB FOR M132358)
20	AM128623	CYLINDER HEAD	1	(NO. 2) (ENGINE MARKED CV20S-65560) (SUB AM130722, (4) M143942, (4) M143943 AND (4) M143944)
20	AM130722	CYLINDER HEAD	1	(NO. 2) (ENGINE MARKED CV20S-65571)
21	19M7811	SCREW	8	M10 X 90, (ENGINE MARKED CV20S-65560) (SUB FOR M144706 OR M137539)
22	M131133	ROCKER ARM	4	(A)
23	MIU11263	PIVOT	4	(A) (SUB FOR M132359)
24	19M8290	SCREW	4	M6 X 35
25	M143942	STUD	8	(ENGINE MARKED CV20S-65571)
26	M143943	WASHER	8	(ENGINE MARKED CV20S-65571)
27	M143944	NUT	8	(ENGINE MARKED CV20S-65571)

KEY	PART NO.	PART NAME	QTY	REMARKS
28	AM134290	VALVE COVER	1	(LH) (SUB FOR AM124983)
29	M132363	STRAP	1	NLA; ORDER MIU12948
29	MIU12948	STRAP	1	
30	MIU11342	HOSE	1	(ENGINE MARKED CV20S-65560) (SUB FOR M134915)
31	TY22462	CLAMP	2	(SUB FOR AR48236)
32	MIU11341	HOSE	1	(ENGINE MARKED CV20S-65560) (SUB FOR M134917)
33	M134916	FITTING	1	
34	37M7131	SCREW	4	M6 X 20
35	HOSE	1	
36	FITTING	1	
37	FUEL LINE	1	
38	MIU11344	HOSE	1	BREATHER (ENGINE MARKED CV20S-65571) (SUB FOR M148324 OR MIU10956)
39	AM126265	SEPARATOR	1	BREATHER
40	M134914	SPACER	1	
41	M134913	BRACKET	1	
42	M134912	STRAP	1	
43	MIU14033	SCREW	2	
..	AM125389	VALVE TRAIN KIT	1	VALVE TRAIN (INCLUDES PARTS MARKED (A))



MM13514 > ST567769 - SEPARATOR PLUG KIT (- 190001)

KEY	PART NO.	PART NAME	QTY	REMARKS	
1	AM133294	SEPARATOR KIT	1	NLA; Separator Plug (SEE SIB 03-11-05-1)	

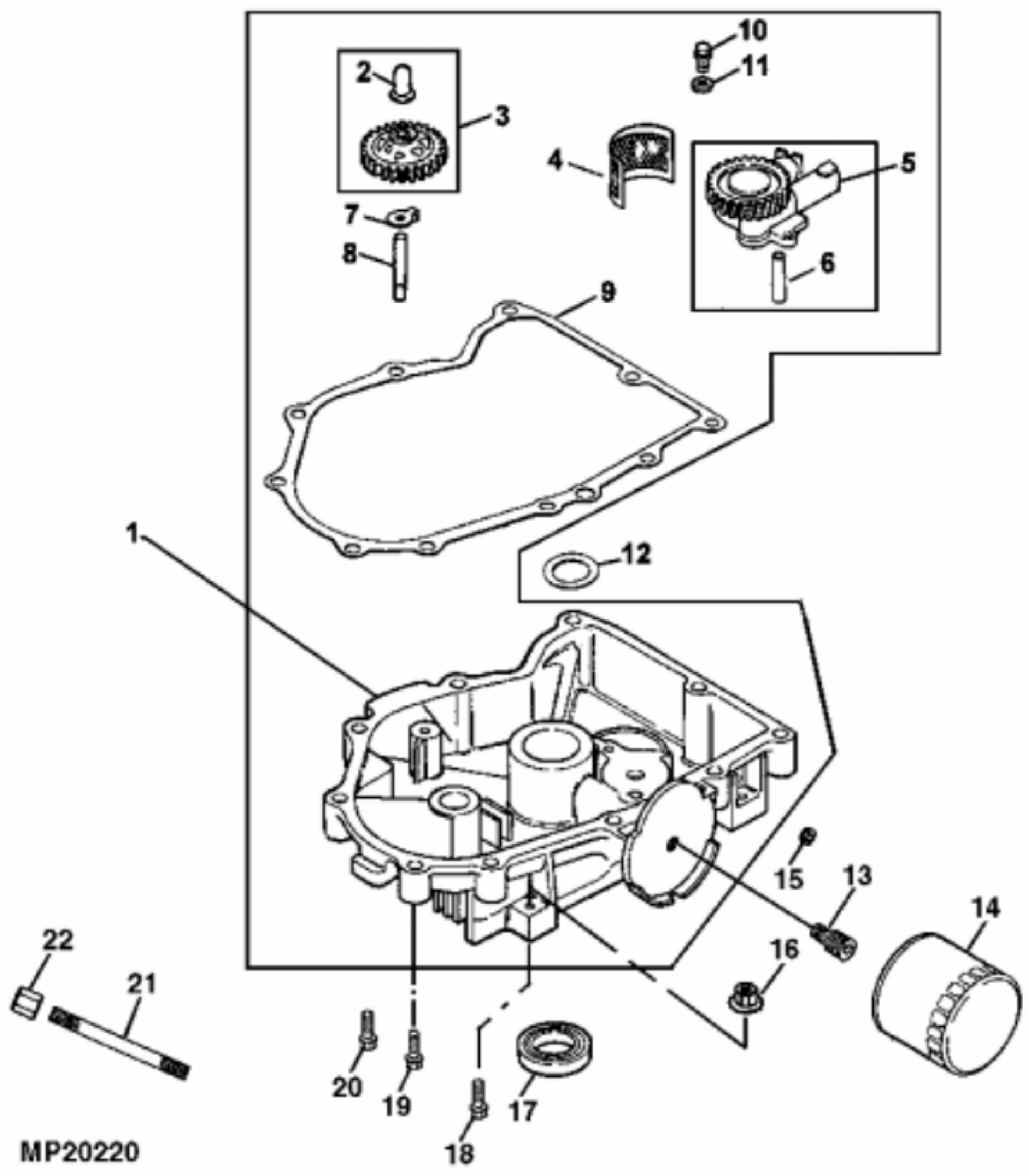


MP23300

MM13514 >ST567771 - CRANKSHAFT AND PISTON

KEY	PART NO.	PART NAME	QTY	REMARKS
1	MIU11539	SEAL	1	(SUB FOR M132338)
2	AM131063	CYLINDER BLOCK	1	NLA
3	M134898	FITTING	1	
4	MIU11251	DOWEL PIN	6	(SUB FOR M132339 OR M144516)
5	MIU12971	CONNECTING ROD	2	ORDER MIU13923; SUB FOR M134452 OR MIU11256, STD
5	MIU13923	CONNECTING ROD	2	ORDER MIA12812
5	MIA12812	CONNECTING ROD	1	
5	MIA11130	CONNECTING ROD	2	.25 MM (.010") US, SUB FOR M134453 OR MIA10907
6	MIA11131	PISTON REPLACEMENT KIT	2	(W/RINGS) (STD) (SUB FOR AM124976 OR AM131307) (SUB MIA11652)
6	MIA11086	PISTON REPLACEMENT KIT	2	50 MM (.020") OS, (W/RINGS) (SUB FOR AM124977) (SUB MIA11667)
6	MIA11652	PISTON RING KIT	2	(INCLUDES (2) M132341)
7	AM124978	PISTON RING KIT	1	(STD)
7	AM131084	PISTON RING KIT	1	.50 MM (.020") OS, NLA; USE WITH AM124977; SUB FOR AM124979
7	MIA11667	PISTON RING KIT	1	0.50 MM OS, (SUB FOR MIA11087)
8	M132341	RETAINER	2	
9	M118585	SHIM	AR	RED
9	M118584	SHIM	AR	BLACK
9	M93955	SOLID SHIM	AR	WHITE
9	M97015	SOLID SHIM	AR	BLUE
9	M96817	SOLID SHIM	AR	YELLOW
9	M96818	SOLID SHIM	AR	GREEN
9	M96819	SOLID SHIM	AR	GRAY
10	AM128621	CAMSHAFT	1	NLA
11	M140022	SPRING	1	(22 MM), NLA; Light
12	M140023	SPRING	1	(9 MM), NLA; Heavy
13	M76215	PLUG	1	
14	M93483	SCREW	2	(SUB FOR M138311)
15	M134899	RETAINER	2	
16	M134900	BREATHER	2	
17	M92193	O-RING	1	
18	M134901	BRACKET	1	

KEY	PART NO.	PART NAME	QTY	REMARKS
19	MIU11957	TUBE	1	(SUB FOR M92192)
20	MIU14033	SCREW	1	
21	M92194	O-RING	1	
22	AM126257	DIPSTICK	1	
23	AM124450	FILLER CAP	1	
24	M148124	O-RING	1	
25	M126396	QUICK LOCK PIN	1	GOVERNOR CROSS SHAFT (ENGINE MARKED CV20S-65560)
26	M93418	WASHER	1	ENGINE MARKED CV20S-65560
26	M143936	WASHER	1	(ENGINE MARKED CV20S-65571)
27	M92079	SEAL	1	(ENGINE MARKED CV20S-65560)
27	M143970	SEAL	1	(ENGINE MARKED CV20S-65571)
28	M96520	WASHER	1	(ENGINE MARKED CV20S-65560)
28	M143939	WASHER	1	(ENGINE MARKED CV20S-65571)
29	M132343	SHAFT	1	NLA;ENGINE MARKED CV20S-65560 ; Governor Cross
29	M143940	SHAFT	1	GOVERNOR CROSS (ENGINE MARKED CV20S-65571)
30	PLUG	1	
31	MIA11970	CRANKSHAFT	1	(SUB FOR AM128620)
32	19M7897	SCREW	4	M8 X 35, (ENGINE MOUNTING)
33	14M7298	FLANGE NUT	4	M8
34	M143941	RETAINER	1	GOVERNOR CROSS SHAFT (ENGINE MARKED CV20S-65571)
35	AM130989	SHORT BLOCK ASSEMBLY	1	NLA; SUB FOR AM128631; Not Illustrated
..	AM129930	GASOLINE ENGINE	1	19HP, (ENGINE MARKED CV20S-65560) (SUB AM130989) (ALSO ORDER AM131660)
..	AM130882	GASOLINE ENGINE	1	19HP, (ENGINE MARKED CV20S-65571) (SUB AM130989) (ALSO ORDER AM131660)
..	AM132215	GASOLINE ENGINE	1	19HP, (ENGINE MARKED CV20S-65587) (SUB AM130989)
..	M143339	LABEL	1	NLA;19 HP
..	AM117019	GEAR KIT	1	NLA



MP20220

Thank you so much for reading.
Please click the “Buy Now!”
button below to download the
complete manual.



After you pay.

You can download the most
perfect and complete manual in
the world immediately.

Our support email:

ebooklibonline@outlook.com