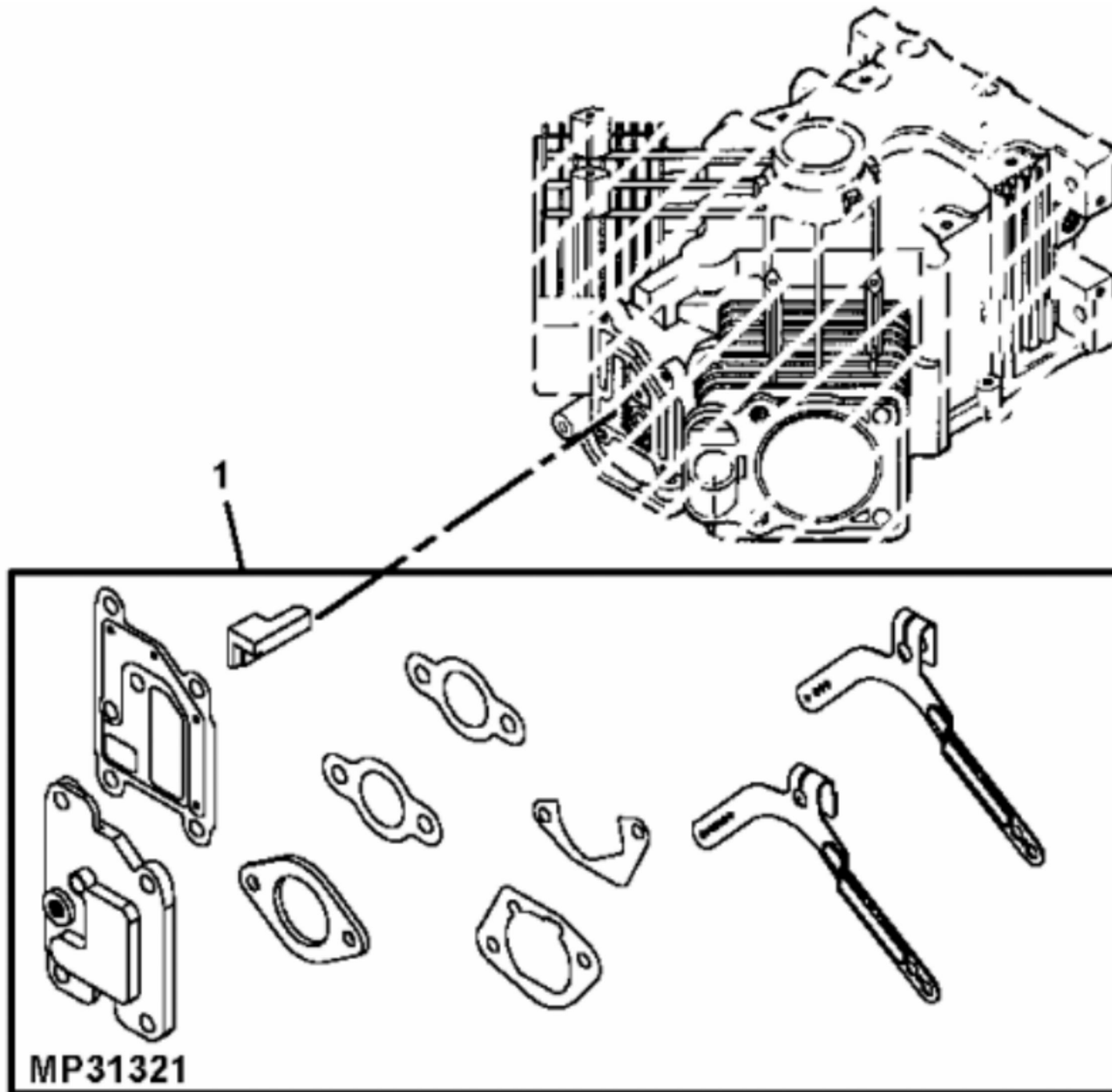


MP20217

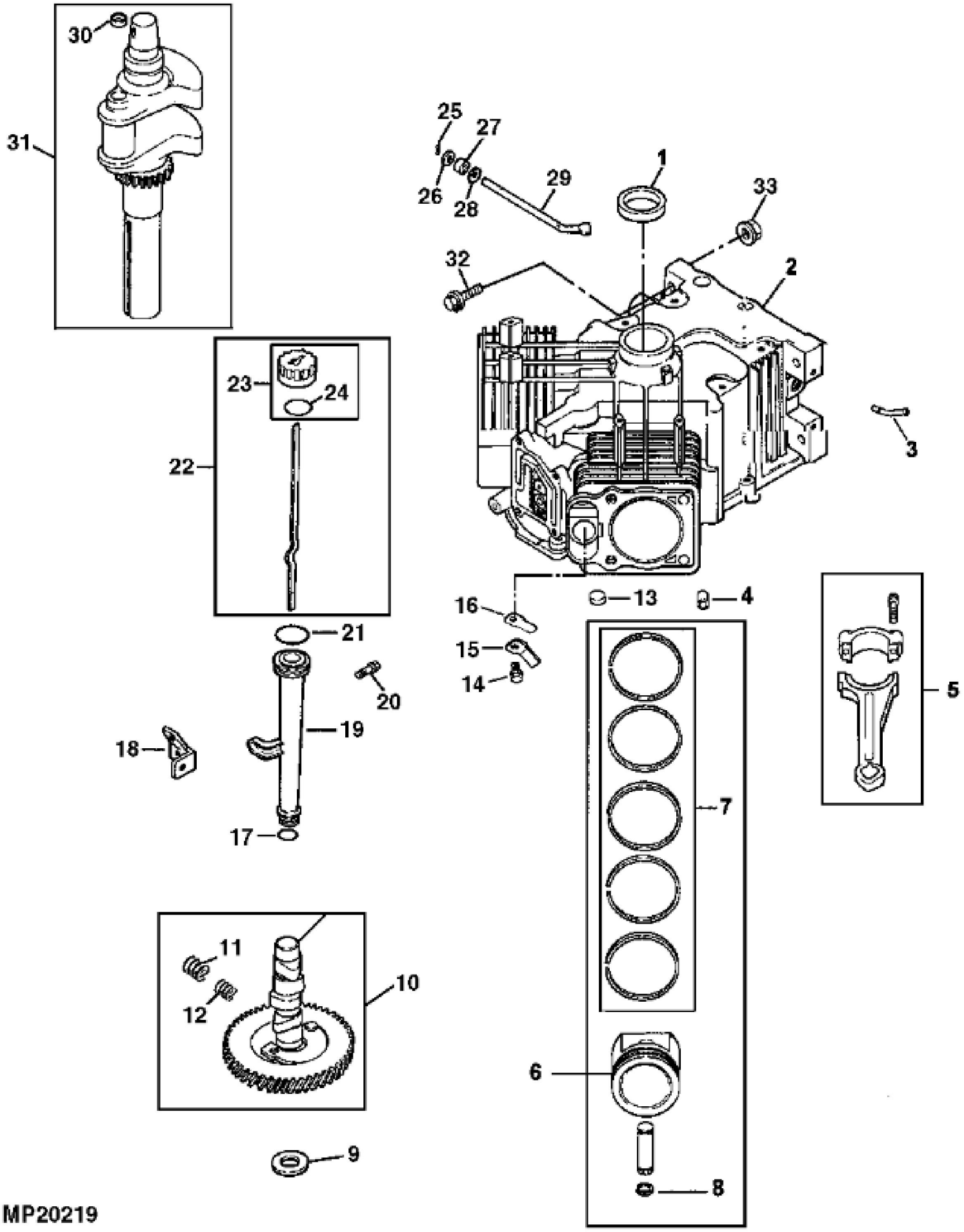
| KEY | PART NO. | PART NAME | QTY | REMARKS |
|-----|----------|-----------------------------|-----|---|
| 1 | M148338 | GROMMET | 1 | (SUB FOR M134911) |
| 2 | M132350 | SCREW | 4 | |
| 3 | M133067 | O-RING | 2 | |
| 4 | AM134352 | VALVE COVER | 1 | (WITH BREATHER) (RH CYLINDER ONLY) (SUB FOR AM126264) |
| 5 | AM130723 | CYLINDER HEAD | 1 | (RH) (SUB FOR AM128624) (ALSO ORDER (4) M143942, (4) M143943 AND (4) M143944) |
| 6 | AM107043 | RETAINER | 4 | |
| 7 | M92203 | CAP | 4 | |
| 8 | M132352 | SPRING | 4 | |
| 9 | M43123 | RETAINER | 4 | |
| 10 | M92202 | SEAL | 2 | |
| 11 | M132353 | INTAKE VALVE | 2 | (STD) |
| 11 | M132354 | INTAKE VALVE | 2 | .25 MM (.010") OS |
| 12 | M132355 | EXHAUST VALVE | 2 | (STD) |
| 12 | M132356 | EXHAUST VALVE | 2 | .25 MM (.010") OS |
| 13 | MIU12491 | GASKET | 1 | (SEE SIB 03-11-05-1) (SUB FOR M132366 OR M150647) |
| 14 | M148331 | COVER | 1 | (SEE SIB 03-11-05-1) (SUB FOR M138823) |
| 15 | AM126260 | BREATHER | 1 | (SEE SIB 03-11-05-1) |
| 16 | 37M7131 | SCREW | 4 | M6 X 20 |
| 17 | MIU13278 | VALVE LIFTER | 4 | SUB FOR M137271 or MIU11034 or MIU12989 |
| 18 | M132357 | PUSH ROD | 4 | (A) |
| 19 | M141731 | ENGINE CYLINDER HEAD GASKET | 2 | (SUB FOR M132358) |
| 20 | AM130722 | CYLINDER HEAD | 1 | (LH) (SUB FOR AM128623) (ALSO ORDER (4) M143942, (4) M143943 AND (4) M143944) |
| 20 | M143942 | STUD | 1 | |
| 20 | M143943 | WASHER | 1 | |
| 20 | M143944 | NUT | 1 | |
| 21 | 19M7811 | SCREW | 8 | M10 X 90, (SUB FOR M144706 OR M137539) |
| 22 | M131133 | ROCKER ARM | 4 | (A) |
| 23 | MIU11263 | PIVOT | 4 | (A) (SUB FOR M132359) |
| 24 | 19M8290 | SCREW | 4 | M6 X 35 |
| 25 | AM134290 | VALVE COVER | 1 | (SUB FOR AM124983) |
| 26 | M132363 | STRAP | 1 | NLA; ORDER MIU12948 |
| 26 | MIU12948 | STRAP | 1 | |

| KEY | PART NO. | PART NAME | QTY | REMARKS | |
|-----|----------|-----------------|-----|---|--|
| 27 | MIU11342 | HOSE | 1 | (SUB FOR M134915) | |
| 28 | TY22462 | CLAMP | 2 | (SUB FOR AR48236) | |
| 29 | MIU11341 | HOSE | 1 | (SUB FOR M134917) | |
| 30 | M134916 | FITTING | 1 | | |
| 31 | M134914 | SPACER | 1 | | |
| 32 | M134913 | BRACKET | 1 | | |
| 33 | M134912 | STRAP | 1 | | |
| 34 | MIU14033 | SCREW | 2 | | |
| 35 | AM126265 | SEPARATOR | 1 | BREATHER | |
| 36 | 15H558 | PIPE PLUG | 1 | 1/8" | |
| .. | AM125389 | VALVE TRAIN KIT | 1 | VALVE TRAIN (INCLUDES PARTS MARKED (A)) | |



John Deere > Turf And Utility > TRACTOR, LAWN AND GARDEN > S2348 - TRACTOR, LAWN AND GARDEN > SCOTTS S2348 Yard Tractor > 20 ENGINE AM129934 > ST644248 - SEPARATOR PLUG KIT (- 190001)

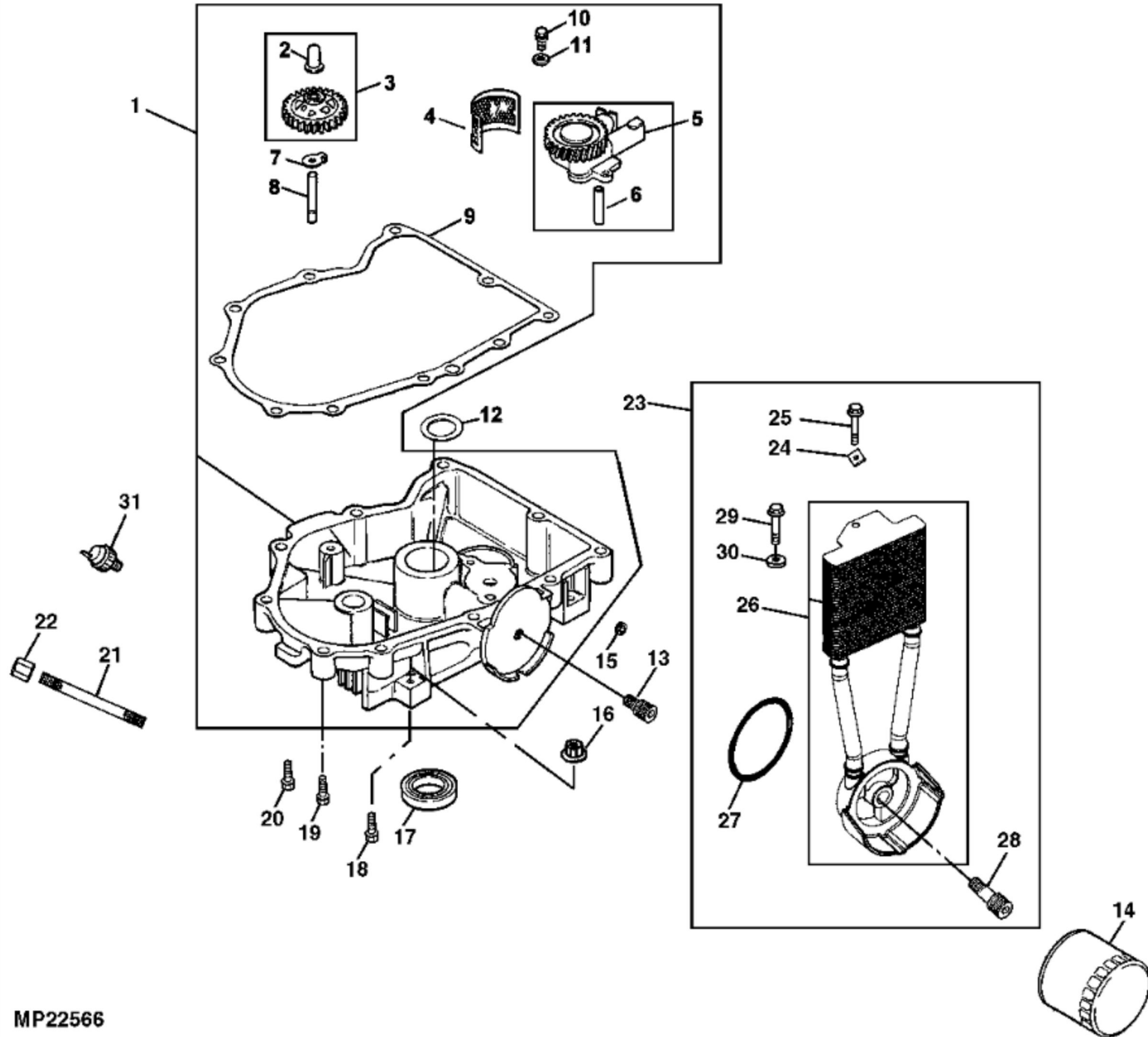
| KEY | PART NO. | PART NAME | QTY | REMARKS | |
|-----|----------|---------------|-----|---|--|
| 1 | AM133294 | SEPARATOR KIT | 1 | NLA; Separator Plug; SEE SIB 03-11-05-1 | |



MP20219

| KEY | PART NO. | PART NAME | QTY | REMARKS |
|-----|----------|------------------------|-----|--|
| 1 | MIU11539 | SEAL | 1 | (SUB FOR M132338) |
| 2 | AM128632 | CYLINDER BLOCK | 1 | |
| 3 | M134898 | FITTING | 1 | |
| 4 | MIU11251 | DOWEL PIN | 6 | (SUB FOR M132339 OR M144516) |
| 5 | MIU12971 | CONNECTING ROD | 2 | ORDER MIU13923; SUB FOR M134452 OR MIU11256, STD |
| 5 | MIU13923 | CONNECTING ROD | 2 | ORDER MIA12812 |
| 5 | MIA12812 | CONNECTING ROD | 1 | |
| 5 | MIA11130 | CONNECTING ROD | 2 | .25 MM (.010") US, SUB FOR M134453 OR MIA10907 |
| 6 | MIA11859 | PISTON KIT | 2 | (W/RINGS) (STD) (SUB FOR AM129625 OR MIA10998) |
| 6 | AM129626 | PISTON REPLACEMENT KIT | 2 | .50 MM (.020") OS, (W/RINGS) |
| 7 | MIA11220 | PISTON RING KIT | 2 | (STD) (SUB FOR AM129627) |
| 7 | AM129628 | PISTON RING KIT | 2 | .50 MM (.020") OS |
| 8 | M132341 | RETAINER | 4 | |
| 9 | M118585 | SHIM | AR | RED |
| 9 | M118584 | SHIM | AR | BLACK |
| 9 | M93955 | SOLID SHIM | AR | WHITE |
| 9 | M97015 | SOLID SHIM | AR | BLUE |
| 9 | M96817 | SOLID SHIM | AR | YELLOW |
| 9 | M96818 | SOLID SHIM | AR | GREEN |
| 9 | M96819 | SOLID SHIM | AR | GRAY |
| 10 | AM128621 | CAMSHAFT | 1 | NLA |
| 11 | M140022 | SPRING | 1 | (22 MM), NLA; Light |
| 12 | M140023 | SPRING | 1 | (9 MM), NLA; Heavy |
| 13 | | PLUG | 1 | |
| 14 | M93483 | SCREW | 2 | (SUB FOR M138311) |
| 15 | M134899 | RETAINER | 2 | |
| 16 | M134900 | BREATHER | 2 | |
| 17 | M92193 | O-RING | 1 | |
| 18 | M134901 | BRACKET | 1 | |
| 19 | MIU11957 | TUBE | 1 | (SUB FOR M92192) |
| 20 | MIU14033 | SCREW | 1 | |
| 21 | M92194 | O-RING | 1 | |
| 22 | AM126257 | DIPSTICK | 1 | |
| 23 | AM107041 | FILLER CAP | 1 | |
| 24 | M148124 | O-RING | 1 | (SUB FOR M92195) |

| KEY | PART NO. | PART NAME | QTY | REMARKS |
|-----|----------|----------------|-----|----------------------------|
| 25 | M126396 | QUICK LOCK PIN | 1 | |
| 26 | M93418 | WASHER | 1 | |
| 27 | M92079 | SEAL | 1 | |
| 28 | M96520 | WASHER | 1 | |
| 29 | M132343 | SHAFT | 1 | NLA; Governor Cross |
| 30 | | PLUG | 1 | |
| 31 | MIA11970 | CRANKSHAFT | 1 | (SUB FOR AM128620) |
| 32 | 19M7897 | SCREW | 4 | M8 X 35, (ENGINE MOUNTING) |
| 33 | 14M7298 | FLANGE NUT | 4 | M8 |
| .. | AM129934 | ENGINE | 1 | 23 HP |
| .. | AM117019 | GEAR KIT | 1 | NLA |



MP22566

Thank you so much for reading.
Please click the “Buy Now!”
button below to download the
complete manual.



After you pay.

You can download the most
perfect and complete manual in
the world immediately.

Our support email:

ebooklibonline@outlook.com