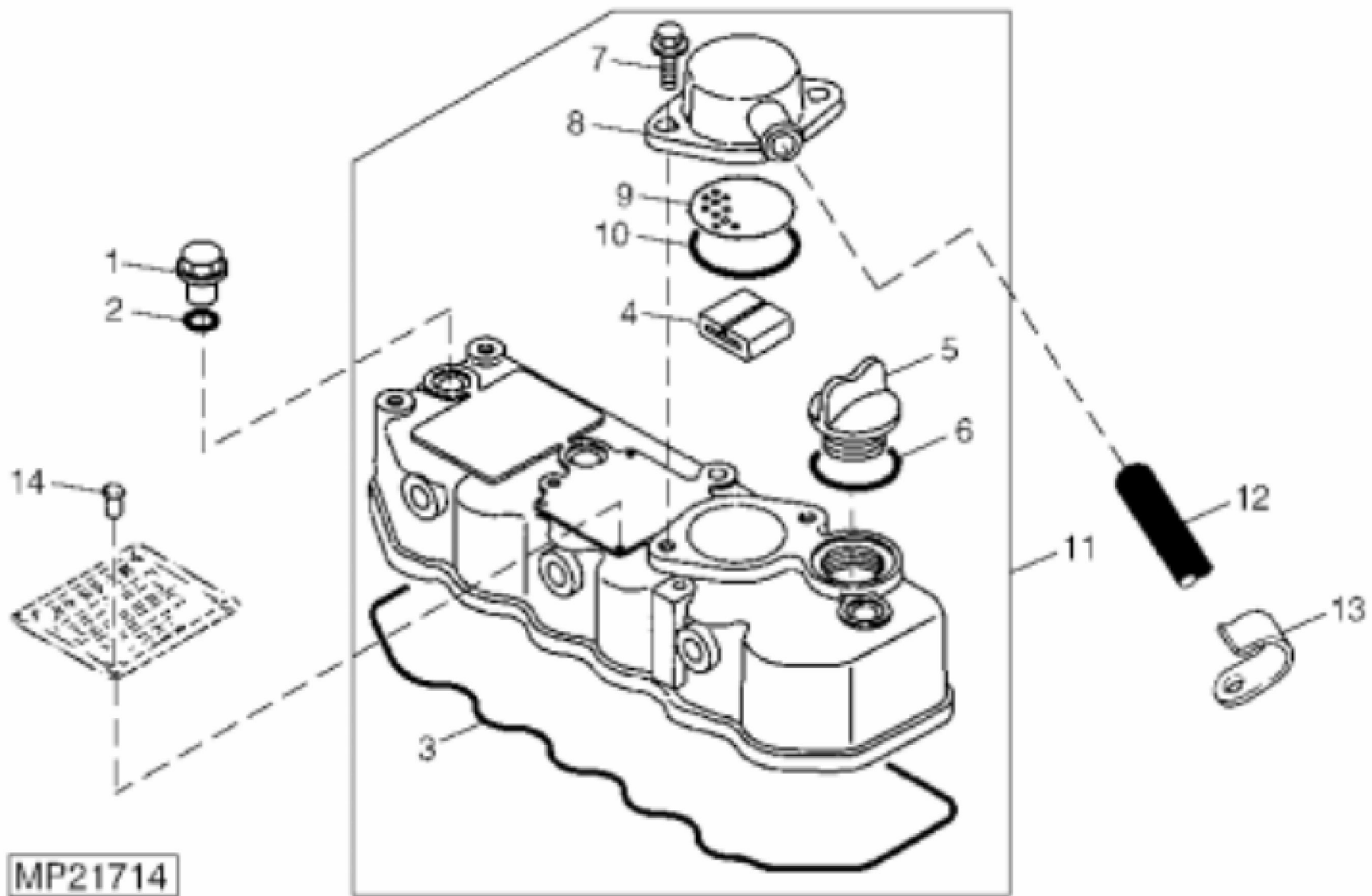


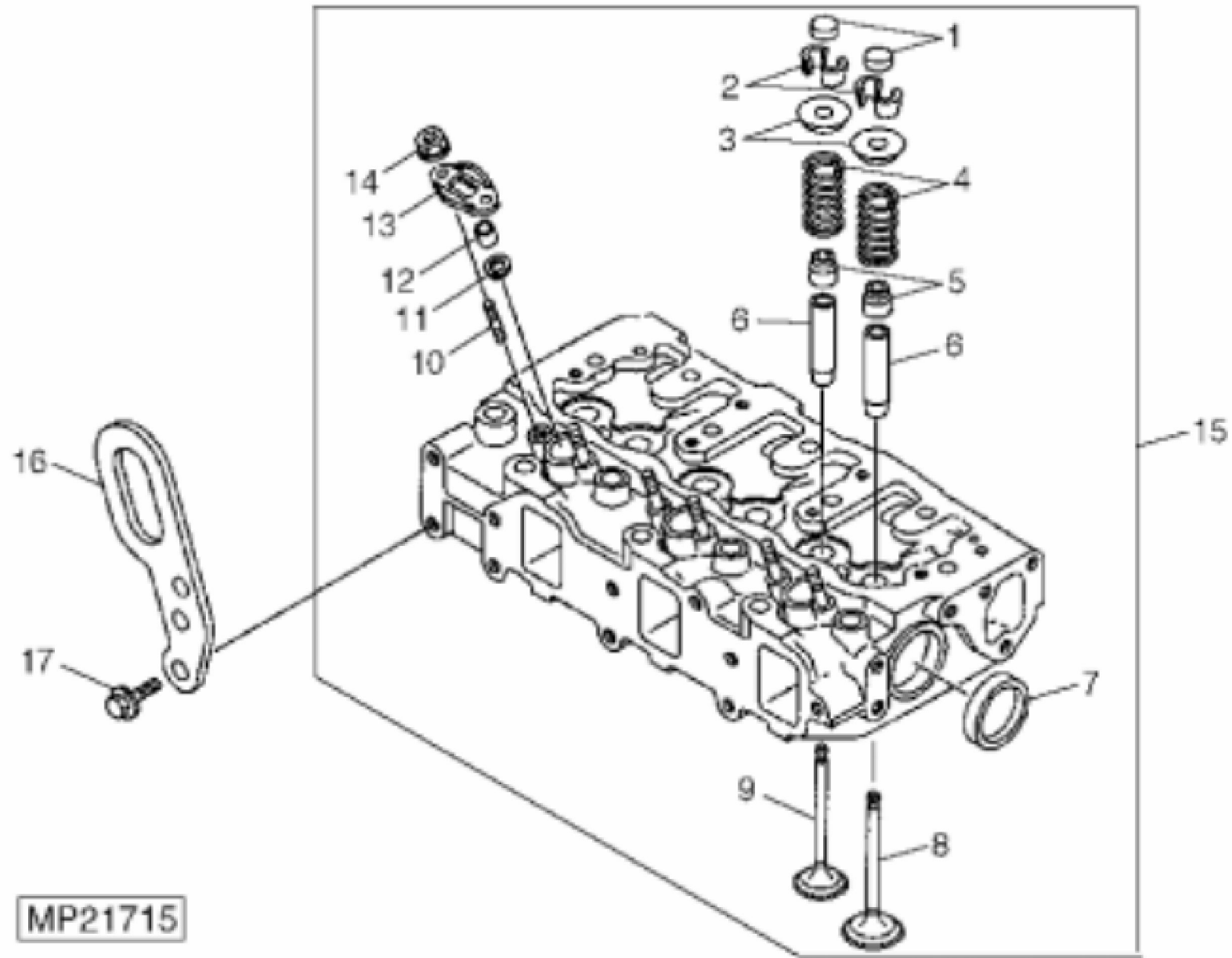
MP21721

KEY	PART NO.	PART NAME	QTY	REMARKS
1	M800970	BOLT	14	
2	M806729	ENGINE CYLINDER HEAD GASKET	1	
3	M806840	PLUG	1	
4	CH10335	PLUG	3	
5	M802255	PIN	2	
6	EPC200680	PLUG	1	
7	CH18079	SPRING PIN	2	
8	30M7023	PLUG	6	
9	15H562	PIPE PLUG	1	1"
10	MIU800573	CAMSHAFT	1	BUSH, (SUB FOR M800977)
11	M800978	SHAFT	1	IDLER GEAR
12	CH19101	BOLT	2	
13	M87801	PLUG	2	
14	M800974	PIPE	2	
15	MIA880553	BEARING	2	STD, (SUB FOR AM875301)
15	MIA880557	BEARING	2	.25MM (.010") US, THRUST, (SUB FOR AM875594)
16	MIA880559	BEARING	4	STD, (SUB FOR AM875300)
16	MIA880549	BEARING	4	.25MM (.010") US, (SUB FOR AM875302)
17	M87879	BOLT	8	
18	AM878590	CYLINDER BLOCK	1	
..	AM123845	SHORT ENGINE	1	COMPLETE
..	AM880660	SHORT BLOCK ASSEMBLY	1	COMPLETE



MP21714

KEY	PART NO.	PART NAME	QTY	REMARKS	
1	CH10348	NUT	3		
2	CH10568	PACKING	3		
3	M801036	O-RING	1		
4	M801032	DEFLECTOR	1		
5	M805710	CAP	1		
6	M805711	PACKING	1		
7	19M7865	SCREW	2	M8 X 16	
8	M801031	CAP	1	BREATHER	
9	M801033	PLATE	1		
10	M801034	O-RING	1		
11	AM875312	VALVE COVER	1	NLA; COMPLETE	
12	M804268	HOSE	1		
13	R72853	CLAMP	1		
14	CH10061	RIVET	4		



MP21715

KEY	PART NO.	PART NAME	QTY	REMARKS	
1	CH12585	CAP	6		
2	AM100828	RETAINER KIT	6	VALVE RETAINER (INCLUDES 2 SIDES)	
3	M801015	RETAINER	6		
4	M801014	SPRING	6		
5	CH10346	SEAL	6		
6	CH16041	GUIDE	6		
7	CH16751	PLUG	2		
8	M801012	INTAKE VALVE	3		
9	RG60149	EXHAUST VALVE	3		
10	M801011	BOLT	6		
11	M801017	VALVE SEAT	3		
12	M806732	GUARD	3	HEAT PROTECTOR	
13	M801018	RETAINER	3		
14	14M7303	FLANGE NUT	6	M6	
15	AM878523	CYLINDER HEAD	1		
16	MIU800461	BRACKET	1	(SUB FOR M800066)	
17	CH19780	BOLT	2		



Thank you so much for reading.  
Please click the “Buy Now!”  
button below to download the  
complete manual.



After you pay.

You can download the most  
perfect and complete manual in  
the world immediately.

Our support email:

[ebooklibonline@outlook.com](mailto:ebooklibonline@outlook.com)