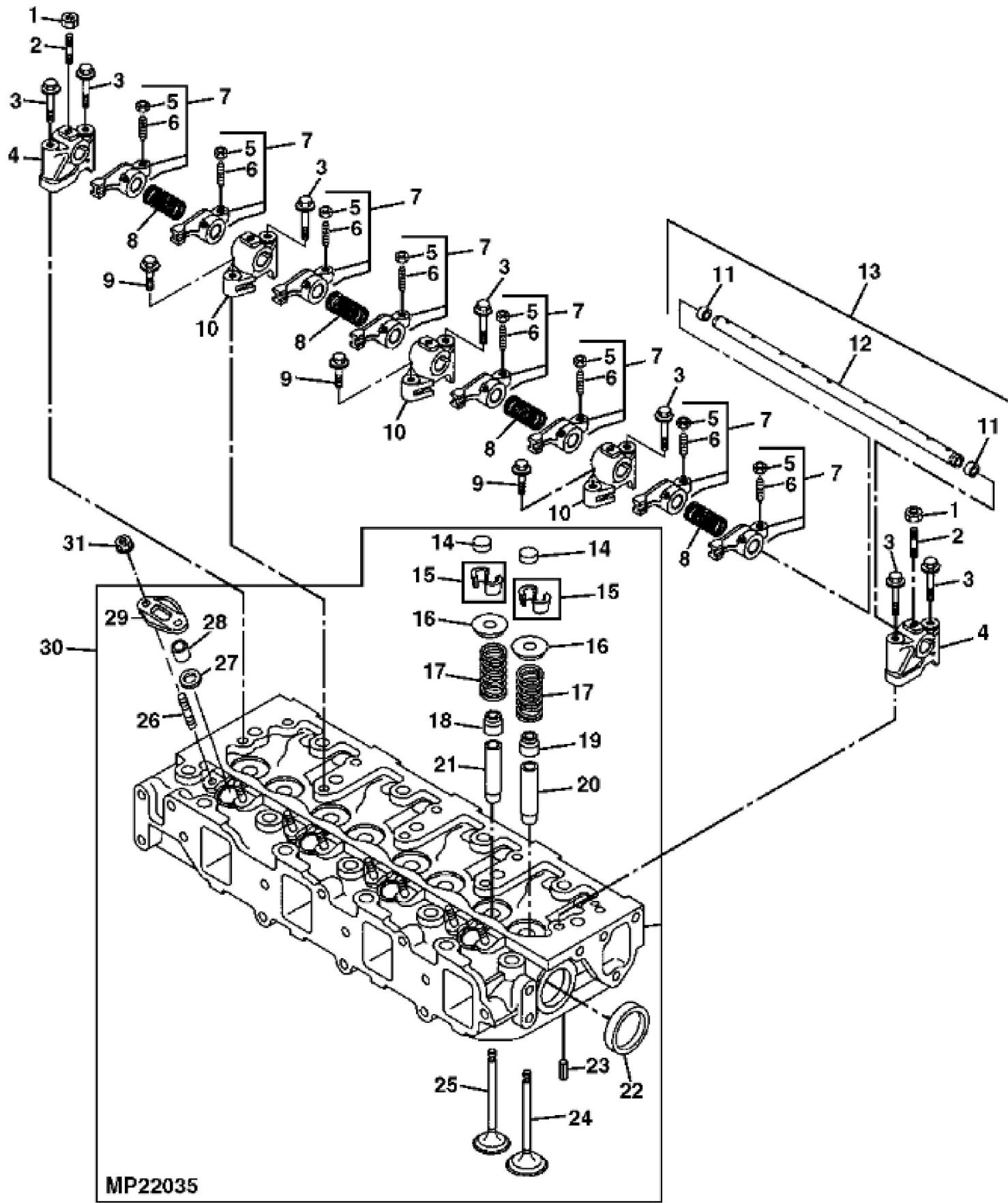


KEY	PART NO.	PART NAME	QTY	REMARKS
1	M801186	BOLT	18	
2	M806505	ENGINE CYLINDER HEAD GASKET	1	
3	AM879992	CYLINDER BLOCK	1	(ENGINE MARKED 4TNE84)
3	AM881947	CYLINDER BLOCK	1	(ENGINE MARKED 4TNV84)
4	T113961	PLUG	1	(ENGINE MARKED 4TNE84)
4	M811307	PLUG	1	(ENGINE MARKED 4TNV84)
5	M802255	PIN	4	
6	30M7023	PLUG	8	
7	M806840	PLUG	1	
8	CH18079	SPRING PIN	2	
9	M806938	PLUG	1	(ENGINE MARKED 4TNE84)
10	15H562	PIPE PLUG	1	1"
11	M800977	BUSHING	1	NLA; Camshaft
12	M800978	SHAFT	1	IDLER (ENGINE MARKED 4TNE84)
12	M811055	SHAFT	1	IDLER (ENGINE MARKED 4TNV84)
13	CH19101	BOLT	2	M8 X 45 , (ENGINE MARKED 4TNE84)
13	19M8317	BOLT	3	(ENGINE MARKED 4TNV84)
14	M87801	PLUG	2	
15	M800974	PIPE	2	
16	CH10554	PACKING	4	
17	19M7864	SCREW	4	M8 X 12
18	AM875371	BEARING KIT	5	MAIN, STD (ENGINE MARKED 4TNE84)
18	MIA880554	BEARING	5	MAIN, STD (ENGINE MARKED 4TNV84) (SUB FOR AM881821)
18	MIA880550	BEARING	5	.25 MM (.010") US, MAIN, (SUB FOR AM875374)
19	.....	BEARING CAP	4	
20	.....	BEARING CAP	1	
21	MIA880555	BEARING	2	THRUST (SUB FOR AM875373)
22	M801189	BOLT	10	
23	CH10335	PLUG	2	
24	EPC200680	PLUG	1	(ENGINE MARKED 4TNE84)
24	CH10314	PLUG	1	(ENGINE MARKED 4TNV84)
25	M811084	SPACER	1	(ENGINE MARKED 4TNV84)
26	AM882543	CRANKSHAFT	1	Not Illustrated
27	M809565	DRAIN PLUG	1	Not Illustrated

KEY	PART NO.	PART NAME	QTY	REMARKS	
..	AM880565	SHORT BLOCK ASSEMBLY	1	(ENGINE MARKED 4TNE84)	
..	AM881956	SHORT BLOCK ASSEMBLY	1	NLA; ORDER MIA882691 (ENGINE MARKED 4TNV84)	
..	MIA882691	SHORT BLOCK ASSEMBLY	1		



MP22035

KEY	PART NO.	PART NAME	QTY	REMARKS
1	14M7273	NUT	3	M8
2	M801024	STUD	3	
3	19M7800	SCREW	7	M8 X 50
4	M801022	SUPPORT	2	
5	M801028	NUT	1	
6	M801027	SCREW	1	
7	AM875383	ARM	8	
8	M801025	SPRING	4	
9	19M7867	SCREW	3	M8 X 25
10	M801023	SUPPORT	3	
11	.....	PLUG	2	
12	.....	SHAFT	1	
13	AM875382	SHAFT	1	
14	M801224	CAP	8	
15	AM878862	RETAINER KIT	8	VALVE KEEPER (INCLUDES 2 HALVES)
16	M801223	RETAINER	8	
17	M801222	SPRING	8	
18	T110650	SEAL	4	
19	CH10450	SEAL	4	
20	M801227	GUIDE	4	INTAKE VALVE
21	M801228	GUIDE	4	EXHAUST VALVE
22	CH16751	PLUG	2	
23	CH18079	SPRING PIN	1	
24	M801220	INTAKE VALVE	4	
25	M801221	EXHAUST VALVE	4	
26	M801219	BOLT	8	M6 X 20
27	M801017	VALVE SEAT	4	
28	M801016	GUARD	4	(SUB FOR M810460)
29	M801018	RETAINER	4	
30	AM879737	CYLINDER HEAD	1	
31	14M7303	FLANGE NUT	8	M6



Thank you so much for reading.  
Please click the “Buy Now!”  
button below to download the  
complete manual.



After you pay.

You can download the most  
perfect and complete manual in  
the world immediately.

Our support email:

[ebooklibonline@outlook.com](mailto:ebooklibonline@outlook.com)