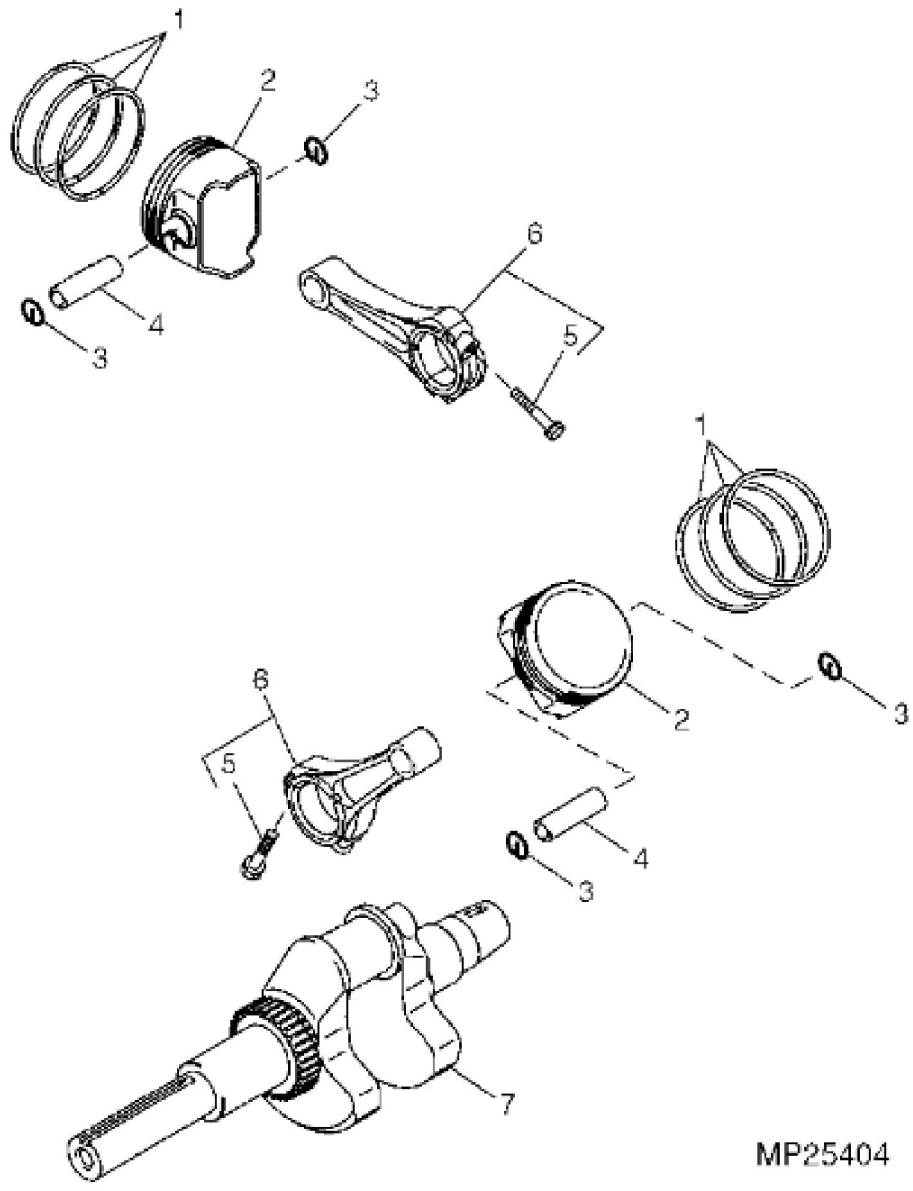


MP60962

John Deere > Turf And Utility >TRACTOR, LAWN AND GARDEN >737 - TRACTOR, LAWN AND GARDEN >737 Mid-Mount ZTrak (Worldwide Edition) >20 ENGINE TCM11302 >ST581421 - CYLINDER HEADS AND CRANKCASE

KEY	PART NO.	PART NAME	QTY	Serial No.	REMARKS
1	M146871	PIPE	1		
2	M138388	PIN	6		
3	M147908	ENGINE CYLINDER HEAD GASKET	2		(SUB FOR M140217)
4	AM135296	CYLINDER HEAD	1		(NO.2) (SUB FOR AM128732 OR AM132396)
5	M138394	BOLT	2		NLA; ORDER MIU11322
5	MIU11322	BOLT	2		
6	M140221	GASKET	2		ROCKER CASE
7	19M8477	CAP SCREW	4		M6 X 40
8	M146867	VALVE COVER	1		(CYLINDER HEAD NO.1)
8	M140218	VALVE COVER	1		(CYLINDER HEAD NO.2)
9	M138389	SEAL	4		OIL (SUB FOR M149280)
10	19M8319	SCREW	18		M8 X 50, (SUB FOR M138393 OR MIU11326)
11	M138395	STUD	4		NLA; ORDER MIU11736
11	MIU11736	BOLT	4		NLA; ORDER MIU12726
11	MIU12726	STUD	4		
12	19M7774	SCREW	4		M6 X 12
13	M140224	COVER	1		
14	M140222	GASKET	1		BREATHER
15	M146872	PIPE	1		(SUB MIU11522 AND MIU11523)
15	MIU11522	PIPE	1		
15	MIU11523	GASKET	1		O-RING
16	M149281	SEAL	1		OIL (SUB FOR M138390)
17	M127431	ADAPTER FITTING	1		
18	AM132437	CRANKCASE	1		(SUB FOR AM132068) (ENGINE MARKED FH680D-BS04)
18	MIA10567	CRANKCASE	1		NLA (SUB FOR AM132125 OR AM132474) (SUB MIA11107 AND MIA11109) (ENGINE MARKED FH680D-CS04, FH680D-DS04)
18	MIA11107	CRANKCASE	1		(SUB MIA11663)
19	M146870	RECEIVER	1		OIL
20	M138439	SPACER	2	____-15300	(USE WITH M138439)
21A	19M7775	SCREW	2	____-15300	M6 X 16, (USE WITH M138439)
21B	M148369	SCREW	2	15301-____	
22	M146869	VALVE	1		REED ASSEMBLY
23	21M7244	SCREW	2		M4 X 8

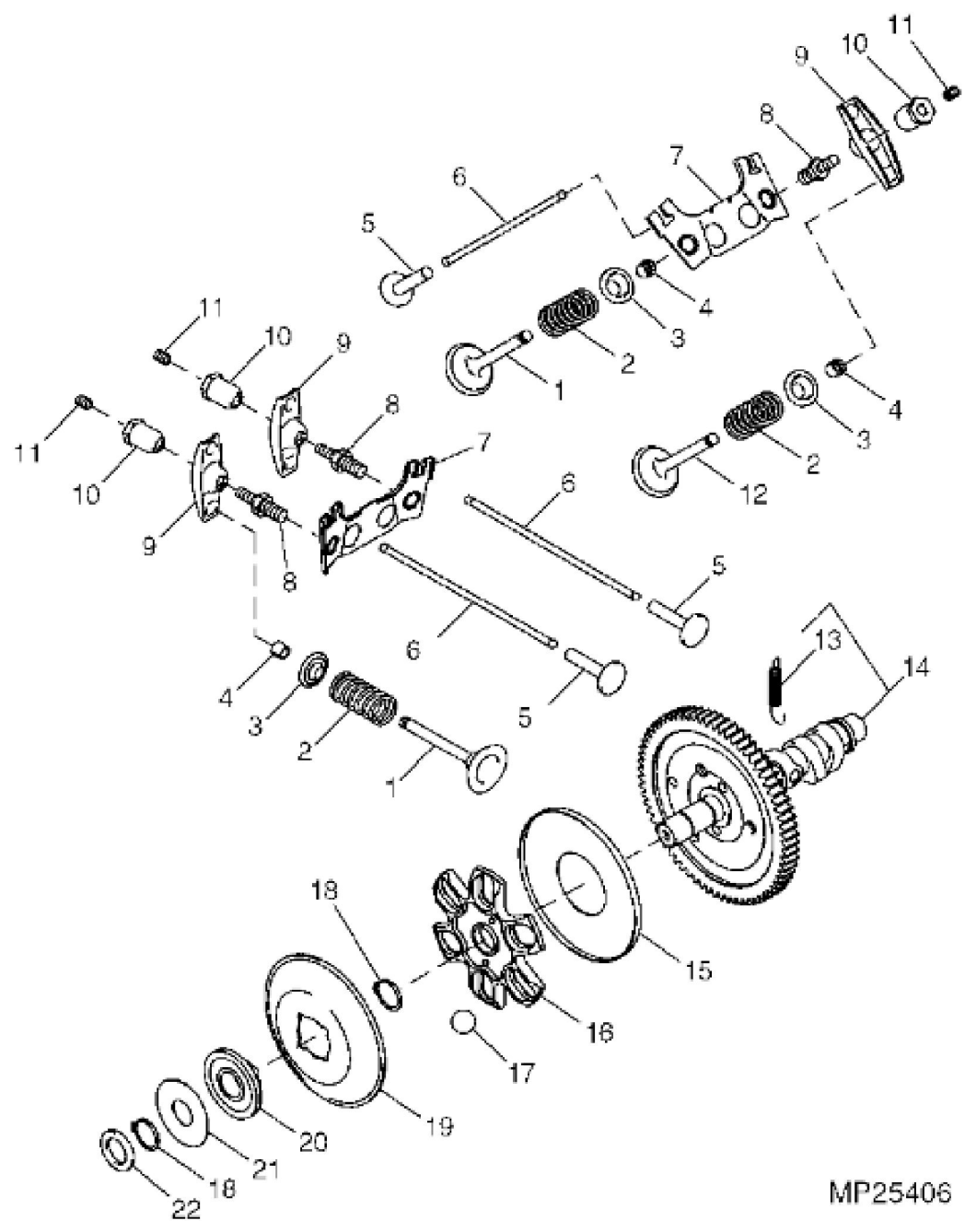
KEY	PART NO.	PART NAME	QTY	Serial No.	REMARKS
24	MIU10794	GASKET	1		CRANKCASE (SUB FOR M146868)
25	MIA11447	COVER	1		CRANKCASE (SUB FOR M146873 OR M150450 OR M153200 OR M153043)
25	MIU10933	BUSHING	1		
26	M140231	SNAP RING	1		
27	MIU11104	SEAL	1		OIL (SUB FOR M146874)
28	M138392	SEAL	1		NLA; ORDER M151774; Oil
28	M151774	SEAL	1		
29	MIA10402	CYLINDER HEAD	1		(NO.1) (SUB FOR AM128731 OR AM132473)
30	19M8318	SCREW	4		M8 X 45
31	14M7396	LOCK NUT	4		M8
32	TCA17360	DRAIN VALVE	1		(SUB FOR TCA12370 OR TCA16240)
33	M88478	O-RING	2		USE WITH M138425
33	M88478	O-RING	3		USE WITH M138425 AND TCA17360
34	M138425	PLUG	2		
..	AM130914	GASOLINE ENGINE	1	____-015300	NLA; (KAWASAKI FH680D-B504) (ORDER MIA12134)
..	AM134526	GASOLINE ENGINE	1	015301-____	NLA; (KAWASAKI FH680D-CS04) (ORDER MIA12134)
..	MIA10510	GASOLINE ENGINE	1		NLA; ORDER MIA11007; KAWASAKI FH680D-DS04
..	MIA11007	GASOLINE ENGINE	1	060736-____	54", NLA; ORDER MIA11439
..	MIA11007	GASOLINE ENGINE	1	060363-____	60", NLA; ORDER MIA11439
..	MIA11182	SHORT BLOCK ASSEMBLY	1		NLA; ORDER MIA11007; KAWASAKI FH680D-S04
..	MIA11439	GASOLINE ENGINE	1		NLA; ORDER MIA12134; KAWASAKI FH680D-04
..	MIA12134	GASOLINE ENGINE	1		KAWASAKI FH680D-GS04-S



MP25404

John Deere > Turf And Utility >TRACTOR, LAWN AND GARDEN >737 - TRACTOR, LAWN AND GARDEN >737 Mid-Mount ZTrak (Worldwide Edition) >20 ENGINE TCM11302 >ST581422 - PISTON AND CRANKSHAFT

KEY	PART NO.	PART NAME	QTY	REMARKS
1	AM128738	PISTON RING KIT	2	STANDARD
1	AM132069	PISTON RING KIT	AR	FOR .5MM OVERSIZE BORE
2	M143319	PISTON	2	STANDARD
2	M146875	PISTON	AR	FOR .5MM OVERSIZE BORE
3	M138398	SNAP RING	4	(SUB FOR M140233)
4	M138397	PISTON PIN	2	
5	M146763	BOLT	2	
6	AM132025	CONNECTING ROD	2	(ENGINE MARKED FH680D-BS04, FH680D-CS04)
6	MIA10804	CONNECTING ROD	2	(ENGINE MARKED FH680D-DS04, FH680D-ES04)
7	AM132070	CRANKSHAFT	1	(SUB MIA11106 AND MIA11108)
7	MIA11108	CRANKSHAFT	1	NLA; ORDER MIA12714
7	MIA12714	CRANKSHAFT	1	



MP25406

Thank you so much for reading.
Please click the “Buy Now!”
button below to download the
complete manual.



After you pay.

You can download the most
perfect and complete manual in
the world immediately.

Our support email:

ebooklibonline@outlook.com