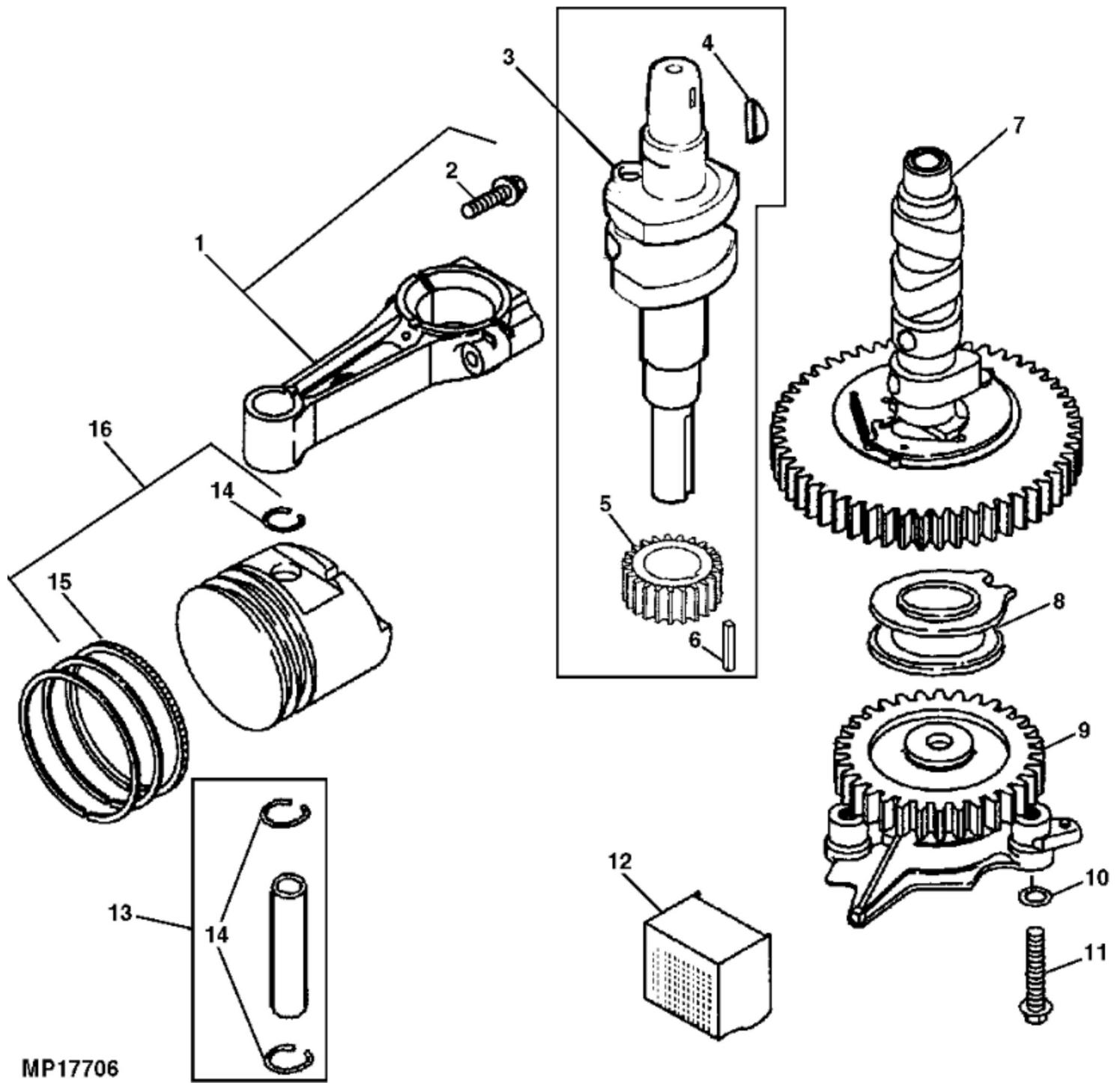


MP26961

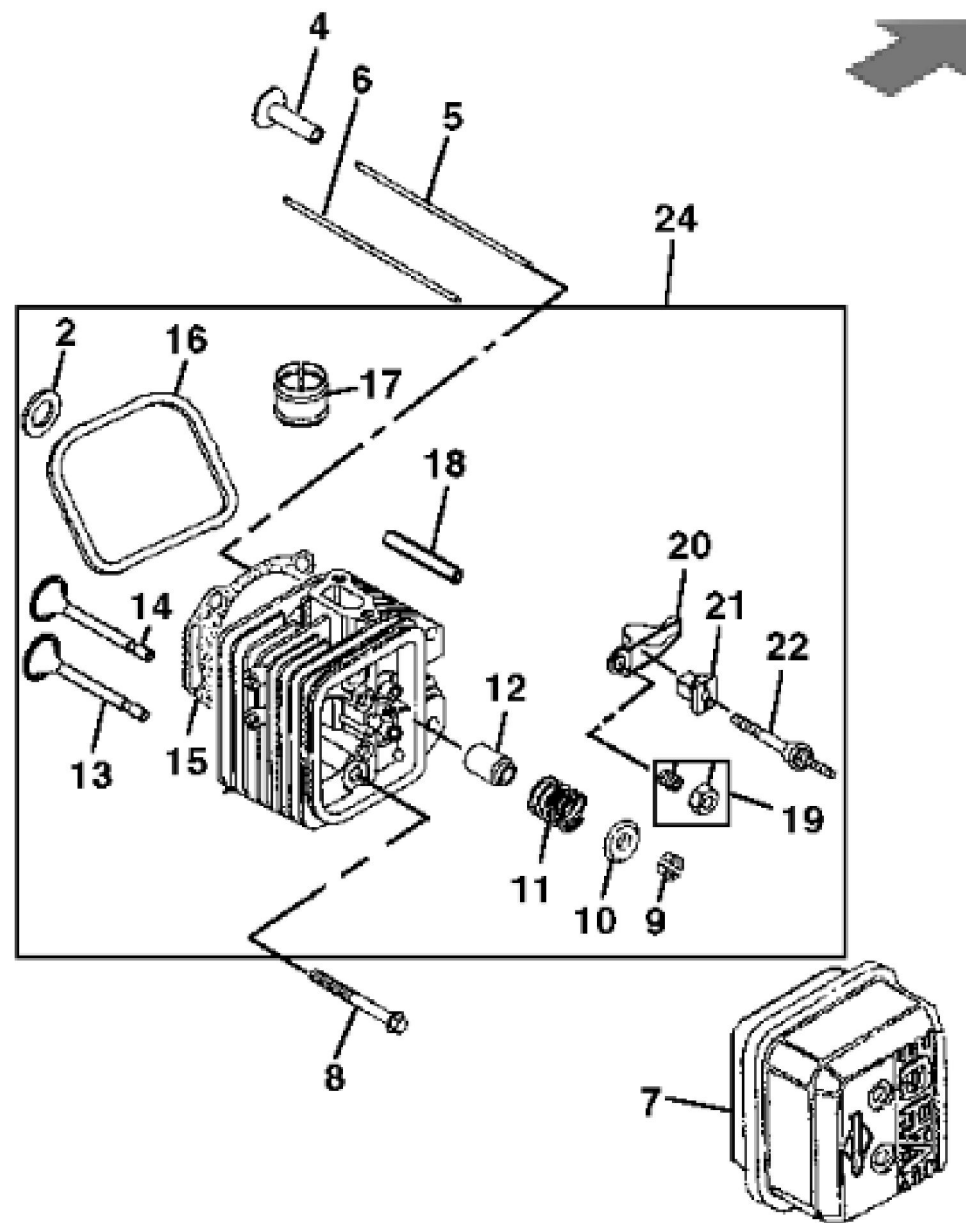
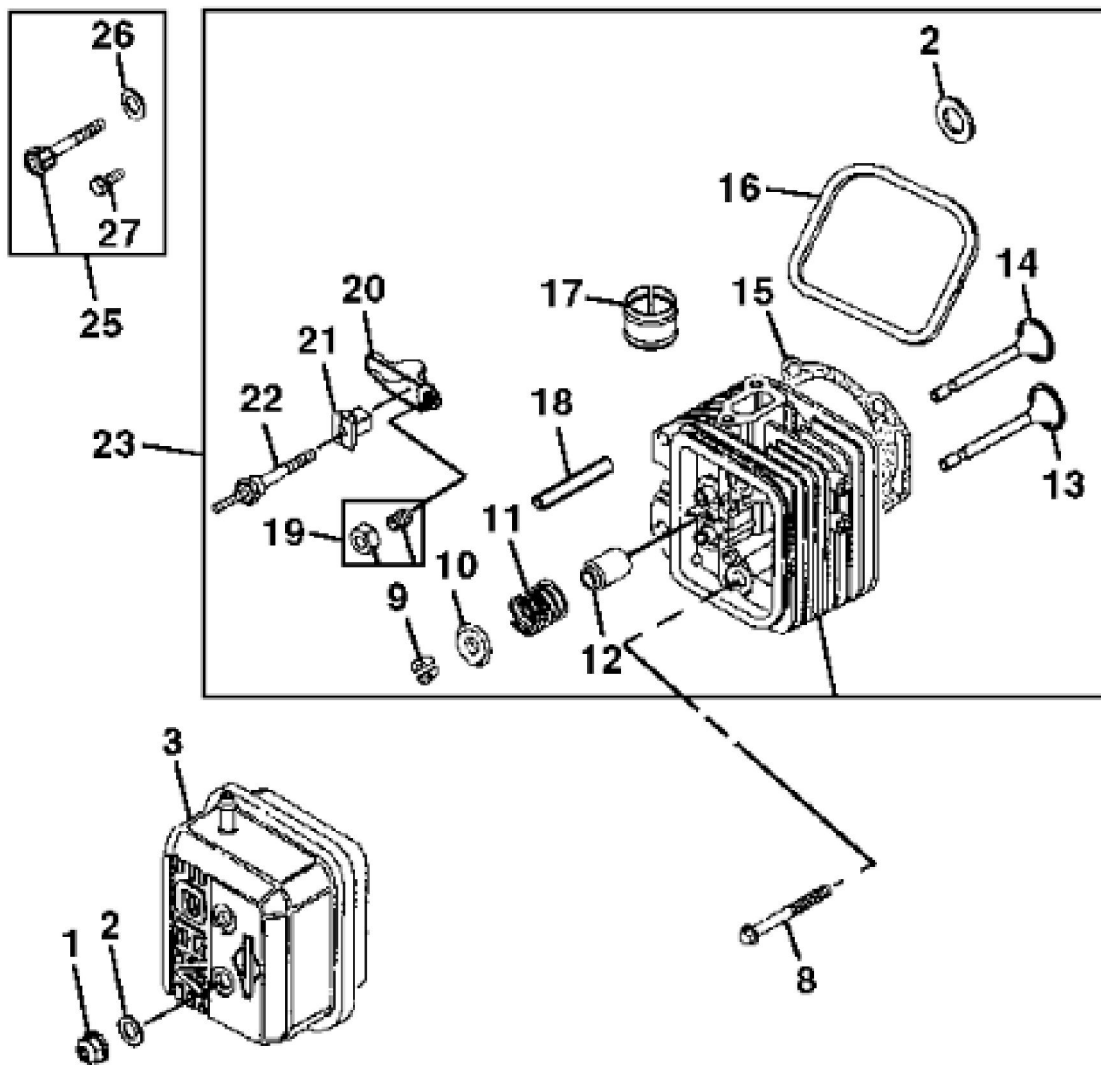
KEY	PART NO.	PART NAME	QTY	Serial No.	REMARKS
1	LG692543	CYLINDER BLOCK	1		NLA
2	LG808534	BUSHING	1		
3	LG805101S	SEAL	1		
4	AM131315	BREATHER	1		
5	M145399	DOWEL PIN	1		
6	15H623	DRAIN PLUG	1		3/8", SUB FOR LG690946, Oil Pan
7	AM125424	OIL FILTER	1		
8	LG808235	ADAPTER FITTING	1		(INCLUDES GASKET)
9	LG690706	LOCK WASHER	2		
10	LG690682	STUD	1		
11	LG690679	CAP SCREW	1		
12	LG692063	GASKET	1		
13	M146343	GASKET	1		BREATHER, (SUB FOR LG807688)
14	AM131315	BREATHER	1		(SUB FOR M143320)
15	LG690751	SCREW	1		
16	MIU11524	SCREW	9		(NLA) (ORDER 19M7269) (SUB FOR LG692540)
17	LG806083S	TUBE	1		BREATHER
18	LG690686	PLATE	1		BREATHER
19	LG691550	RETAINER	1		
20	LG690680	SEAL	1		GOVERNOR
21	LG690701	BUSHING	1		GOVERNOR
22	M144914	BUSHING	1		GOVERNOR
23	AM131177	CRANK	1		GOVERNOR
24	LG805049S	SEAL	2		
25	LG690704	WASHER	1		
26	MIU12287	GASKET	1		NLA; ORDER MIU11265; SUB FOR LG691684; Crankcase
26	MIU11265	GASKET	1		NLA; ORDER MIU13345
26	MIU13345	GASKET	1		NLA; ORDER MIU14235
26	MIU14235	GASKET	1		
27	LG692154	SEAL	1		
28	MIA11613	CRANKCASE	1		ENGINE SUMP, (SUB FOR AM131176)
29	LG692053	SEAL	1		
30	LG691870	SEAL	1		(SUB FOR LG270920)

KEY	PART NO.	PART NAME	QTY	Serial No.	REMARKS
31	LG692093	TUBE	1		OIL FILL
32	M147829	SCREW	2		(SUB FOR LG692537)
33	LG692101	DIPSTICK	1		
34	AH89557	CLIP	1		
35	14H860	NUT	1		1/4"
36	M132015	THREADED NIPPLE	1	____-050000	
37	M126875	CAP	1	____-050000	
38	M144897	CAP	1	050001-____	
39	R27166	O-RING	1	050001-____	
40	TUBE	1	050001-____	
41	AM131611	DRAIN PLUG	1	050001-____	OIL DRAIN
42	19M7798	SCREW	4		M8 X 40, ENGINE MOUNTING
43	14M7298	FLANGE NUT	4		M8, ENGINE MOUNTING
44	15H638	PIPE PLUG	1		1/8", OIL (CYLINDER BLOCK)
..	AM131115	ENGINE	1		



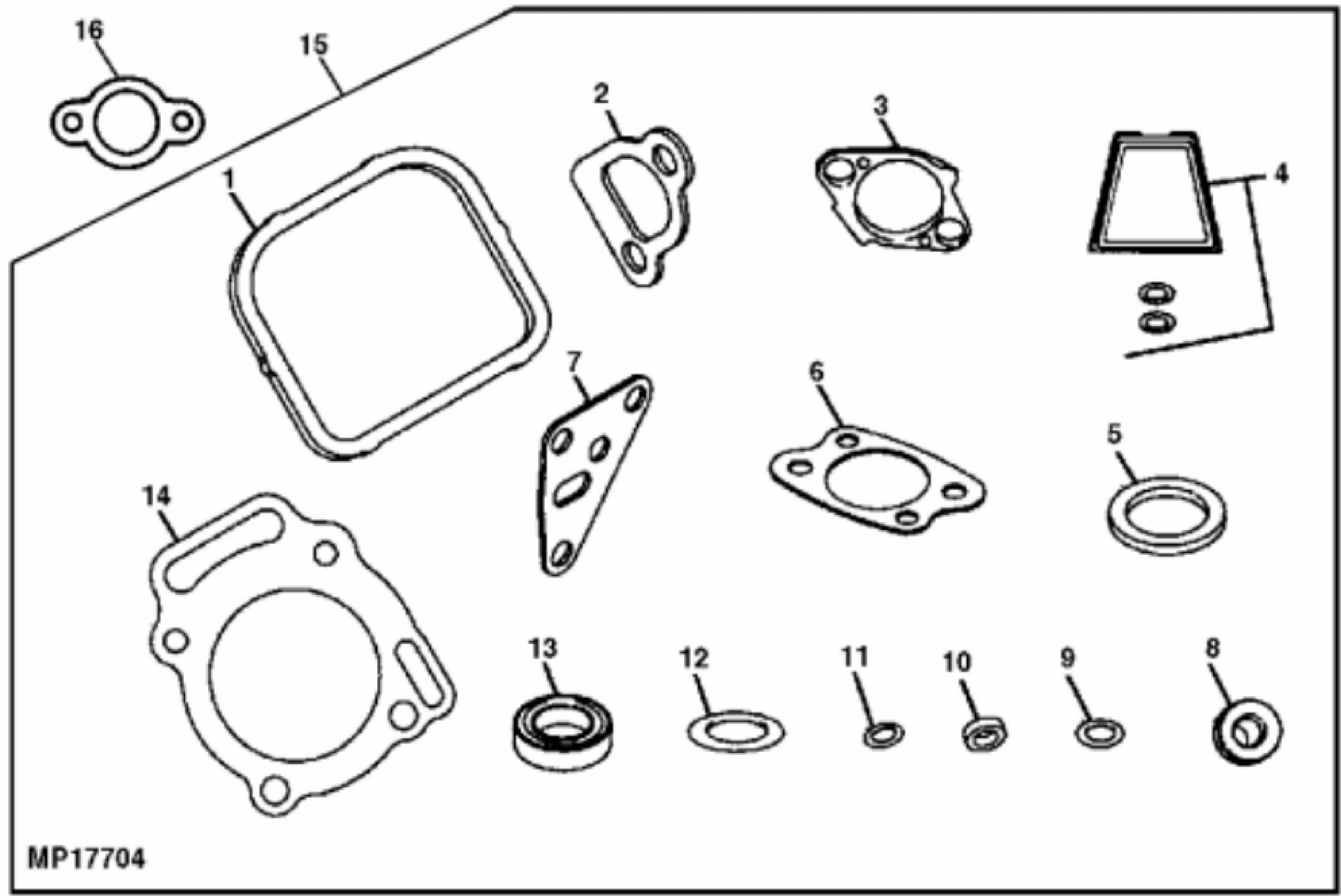
MP17706

KEY	PART NO.	PART NAME	QTY	REMARKS
1	LG807900S	CONNECTING ROD	2	(STD)
1	LG807803	CONNECTING ROD	1	.50 MM (.020") US, (NLA)
2	LG690698	SCREW	2	
3	LG692159	CRANKSHAFT	1	NLA
4	M145150	SHAFT KEY	1	
5	LG691530	GEAR	1	TIMING
6	LG691639	SHAFT KEY	1	
7	LG691557	CAM	1	
8	LG690689	SPOOL	1	GOVERNOR
9	LG693186	OIL PUMP	1	(ORDER MIA11613)
9	MIA11613	RESERVOIR	1	ENGINE BASE SUMP (NOT SHOWN)
10	LG690681	SEAL	2	(SUB FOR LG805058)
11	LG691492	CAP SCREW	2	
12	LG690878	SCREEN	1	OIL PUMP
13	LG807621	PISTON PIN	2	
14	LG690975	LOCK	2	(SUB FOR LG690683)
15	MIU12297	RING	1	STD, (SUB FOR LG807620)
15	LG807810	PISTON RING KIT	1	.50 MM (.020") OS, NLA; ORDER MIA12641
16	MIA11530	PISTON	2	STD, (SUB FOR LG807619 AND LG807620)
16	LG807809	PISTON	1	.50 MM (.020") OS, NLA; ORDER MIA12641
16	MIA12641	PISTON KIT	1	



MP29752

KEY	PART NO.	PART NAME	QTY	REMARKS
1	LG692055	LOCK NUT	4	
2	LG691766	WASHER	4	
3	LG691558	COVER	1	LH
4	LG690977	TAPPET	4	
5	LG691836	PUSH ROD	2	INTAKE (STEEL)
6	LG691758	PUSH ROD	2	EXHAUST (ALUMINUM)
7	LG691494	COVER	1	RH
8	LG692059	CAP SCREW	4	
9	LG807683	RETAINER	2	
10	LG692058	RETAINER	2	
11	LG692084	SPRING	2	
12	LG691963	SEAL	2	
13	LG807681	EXHAUST VALVE	1	(INCLUDES LG807683)
14	LG807680	INTAKE VALVE	1	(INCLUDES LG807683)
15	LG806085S	ENGINE CYLINDER HEAD GASKET	1	
16	LG806039S	GASKET	1	ROCKER COVER
17	LG691493	CYLINDER LINER	1	PORT
18	LG692057	BUSHING	2	GUIDE
19	LG807623	ADJUSTER	2	(W/NUT)
20	M152423	ROCKER ARM	2	
21	MIU11035	ROCKER ARM	2	PIVOT, (SUB FOR LG690973)
22	AM132460	STUD	2	(SUB FOR LG691544)
23	AM133868	CYLINDER HEAD	1	LH (CYLINDER NO. 1) (SUB FOR LG808381)
24	AM133869	CYLINDER HEAD	1	RH (CYLINDER NO. 2) (SUB FOR LG808382)
25	AM132460	STUD	2	(SUB FOR LG691544)
26	M147828	WASHER	1	SEALING
27	M147829	SCREW	1	



MP17704

Thank you so much for reading.
Please click the “Buy Now!”
button below to download the
complete manual.



After you pay.

You can download the most
perfect and complete manual in
the world immediately.

Our support email:

ebooklibonline@outlook.com