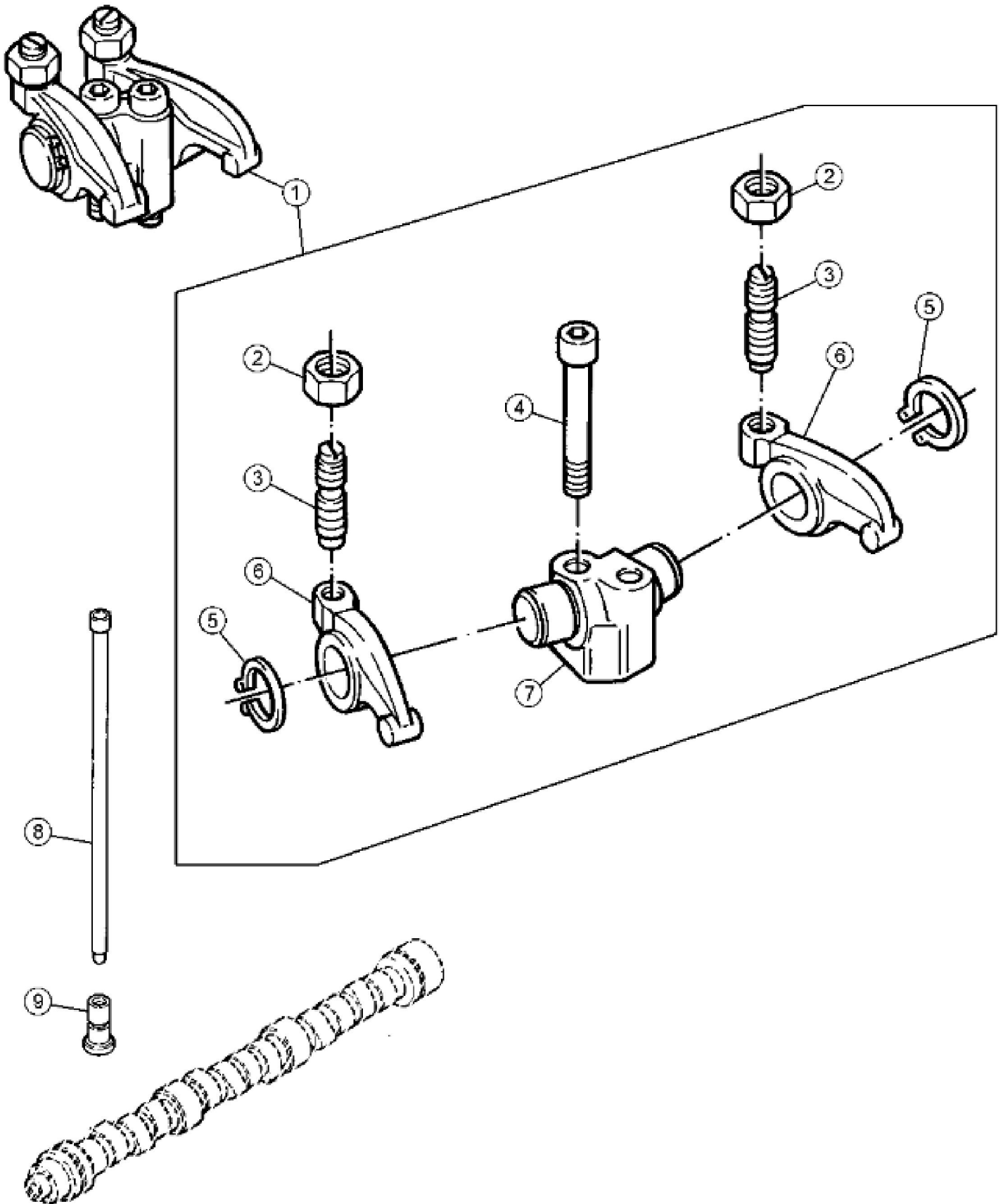


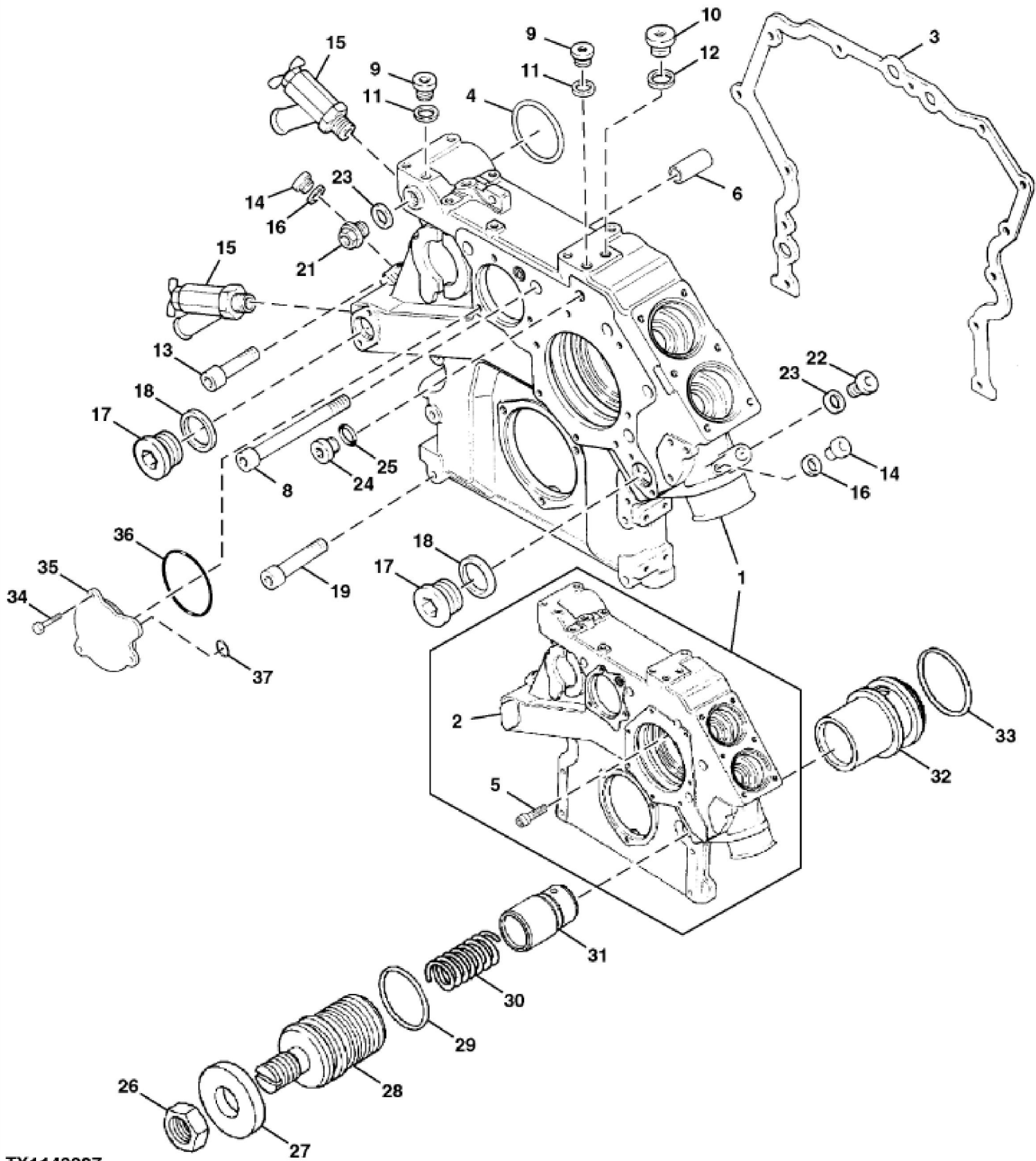
John Deere > Construction And Forestry >DOZER, CRAWLER >1050C - DOZER, CRAWLER >1050C Crawler Dozer >04 ENGINE >0402 CAMSHAFT AND VALVE ACTUATING MEANS >ST122305 - CAMSHAFT AND CAMSHAFT GEARS

KEY	PART NO.	PART NAME	QTY	Serial No.	REMARKS
1	AT277760	RING	1		
2	AT276877	SOCKET HEAD SCREW	4		M8 X 30
3	AT277759	RING	1		
4	AT277824	GEAR	1		
5	AT277822	RING	1		
6	AT276894	SOCKET HEAD SCREW	8		M12 X 1.5 X 5
7	AT276895	PIN	1		M8 X 32
8	AT277827	CAMSHAFT	1		
9	AT276896	PIN	1		M8 X 22
10	AT277826	GEAR	1	____-005599	
10	AT300702	GEAR	1	005600-____	
11	19M8008	CAP SCREW	6		M8 X 35
12	LW10115870	GEAR	1	____-005599	(SUB FOR AT277823)
12	AT266650	GEAR	1	005600-____	
13	AT276896	PIN	1		M8 X 22
14	AT277715	GEAR	1	____-005599	
14	AT266651	GEAR	1	005600-____	



John Deere > Construction And Forestry >DOZER, CRAWLER >1050C - DOZER, CRAWLER >1050C Crawler Dozer >04 ENGINE >0402 CAMSHAFT AND VALVE ACTUATING MEANS >ST122306 - ROCKER ARMS, TAPPETS AND PUSH RODS

KEY	PART NO.	PART NAME	QTY	REMARKS
1	AT277776	BRACKET	10	
2	AT275329	NUT	10	
3	AT275330	SCREW	10	
4	AT274262	SOCKET HEAD SCREW	10	M10 X 75
5	AT276760	LOCKING COLLAR	10	
6	AT278335	ROCKER ARM	10	
7	AT277775	SUPPORT	5	
8	AT277806	ROD	12	
9	AT275435	TAPPET	12	



John Deere > Construction And Forestry >DOZER, CRAWLER >1050C - DOZER, CRAWLER >1050C Crawler Dozer >04 ENGINE >0402 CAMSHAFT AND VALVE ACTUATING MEANS >ST122307 - ENGINE FRONT COVER, FRONT COVER GASKET AND ENGINE OIL PRESSURE REGULATING VALVE

KEY	PART NO.	PART NAME	QTY	REMARKS
1	...	COVER	1	(SERVICE WITH COMPONENTS)
2	AT278310	COVER	1	
3	AT277738	GASKET	1	
4	AT274733	O-RING	4	
5	AT277809	BOLT	1	
6	AT275352	SPACER	2	
8	AT276869	SOCKET HEAD SCREW	5	M10 X 110
9	AT266609	PLUG	3	
10	PMH3080	FITTING	1	SUB FOR AT261789
10	PMH3829	FITTING	1	
11	AT260902	RING	3	
12	AT274018	SEAL	1	
13	19M8412	SCREW	2	M10 X 55
14	PMH3079	FITTING	3	SUB FOR AT274534
14	PMH3828	FITTING	1	
15	AT274491	HAND OPERATED VALVE	2	
16	AT277056	SEAL	3	
17	AT276062	PIPE PLUG	2	M38 X 1.5
18	AT276179	SEAL	2	
19	AT276889	SOCKET HEAD SCREW	6	M10 X 85
21	AT277832	LINE	1	REDUCING STUB PIPE
22	AT277080	PIPE PLUG	1	
23	AT218825	SEALING WASHER	2	
24	PMH3085	FITTING	1	SUB FOR AT274552 AND LW7362698
24	PMH3831	FITTING	1	
25	AT277112	O-RING	1	
26	14M7260	NUT	1	M16
27	AT277766	WASHER	1	
28	AT277767	SCREW	1	
29	AT277116	O-RING	1	
30	AT275316	COMPRESSION SPRING	1	
31	AT275305	PISTON	1	
32	AT277749	VALVE SEAT	1	
33	AT277110	O-RING	1	

KEY	PART NO.	PART NAME	QTY	REMARKS	
34	19M7938	CAP SCREW	1	M10 X 20	
35	AT277764	COVER	1		
36	AT277733	O-RING	1		
37	AT277734	O-RING	1		

Thank you so much for reading.
Please click the “Buy Now!”
button below to download the
complete manual.



After you pay.

You can download the most
perfect and complete manual in
the world immediately.

Our support email:

ebooklibonline@outlook.com