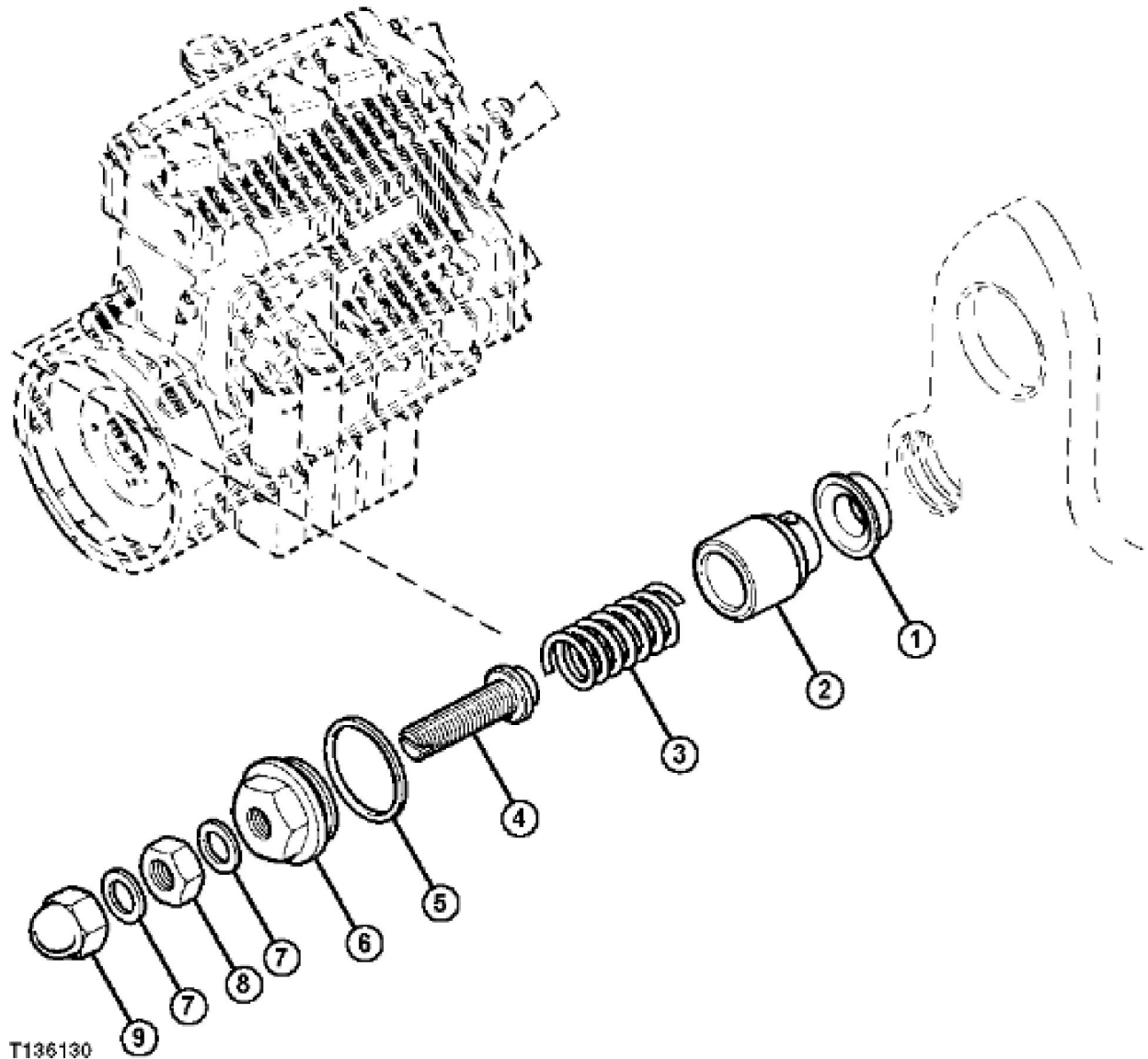


T199311

John Deere > Construction And Forestry >CRAWLER LOADER >655C - CRAWLER LOADER >655C Crawler Loader (Worldwide Edition) >04 ENGINE >0404 CYLINDER BLOCK >ST38549 - ENGINE  
 CYLINDER BLOCK AND BEARING CAPS

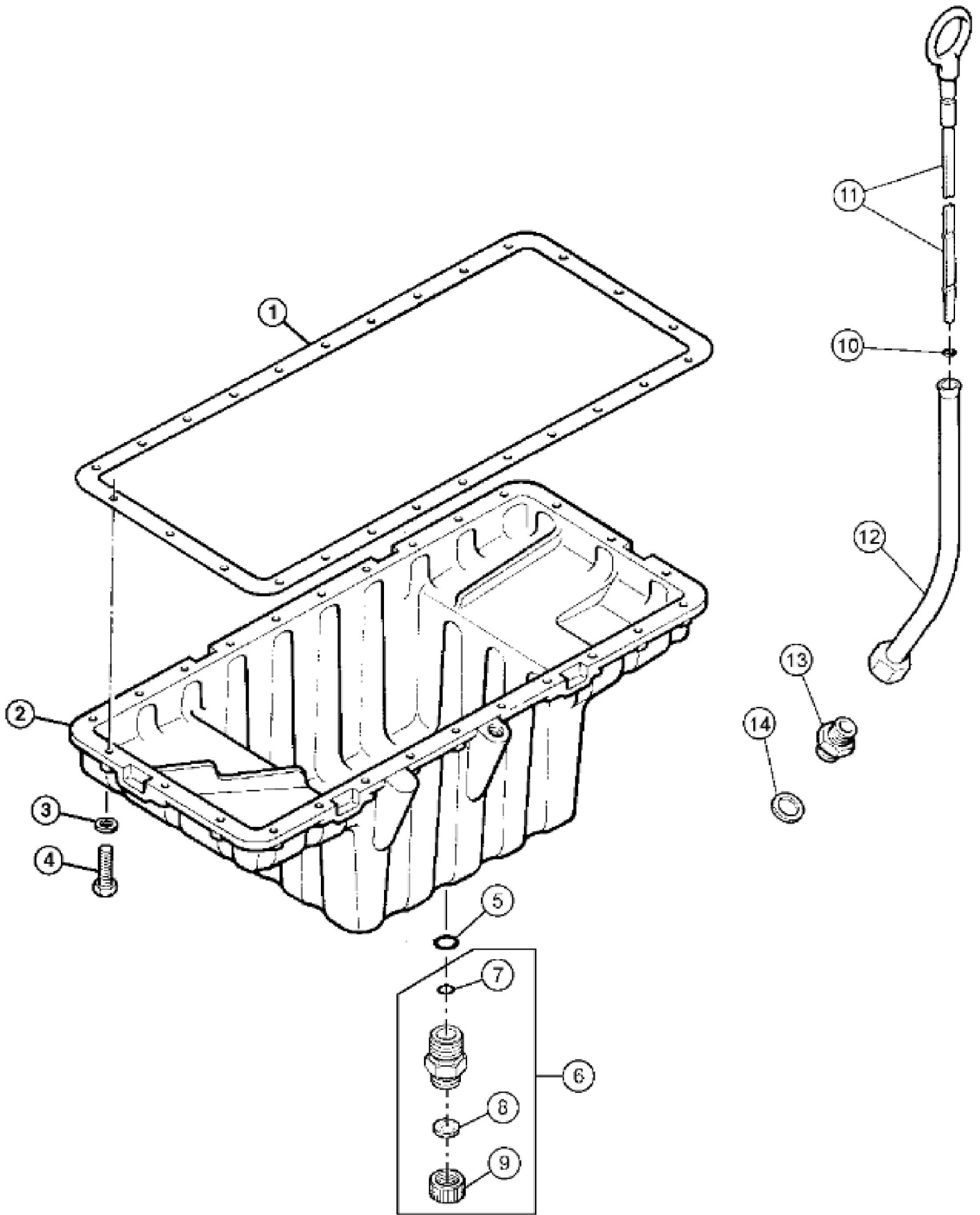
KEY	PART NO.	PART NAME	QTY	REMARKS
1	AT275341	SPACER	10	
2	AT275334	BOLT	10	
3	AT275296	BUSHING	5	
4	AT275952	CYLINDER BLOCK	1	
5	AT274036	PLUG	5	
6	AT274044	PLUG	2	
7	AT260902	RING	2	
8	AT274067	PIPE PLUG	2	
9	PMH3075	FITTING	7	SUB FOR AT274648
9	XED10X1X	FITTING	1	
10	AT301942	SEALING RING	7	
11	LW7362698	SELF-LOCKING SCREW	2	SUB FOR AT274552 AND LW7362698
12	AT274600	SEAL	2	
13	PMH3080	FITTING	1	SUB FOR AT261789
13	PMH3829	FITTING	1	
14	AT274018	SEAL	1	
15	AT279894	ORIFICE	8	
16	AT274043	PLUG	2	
17	AT274041	SPRING PIN	8	



T136130

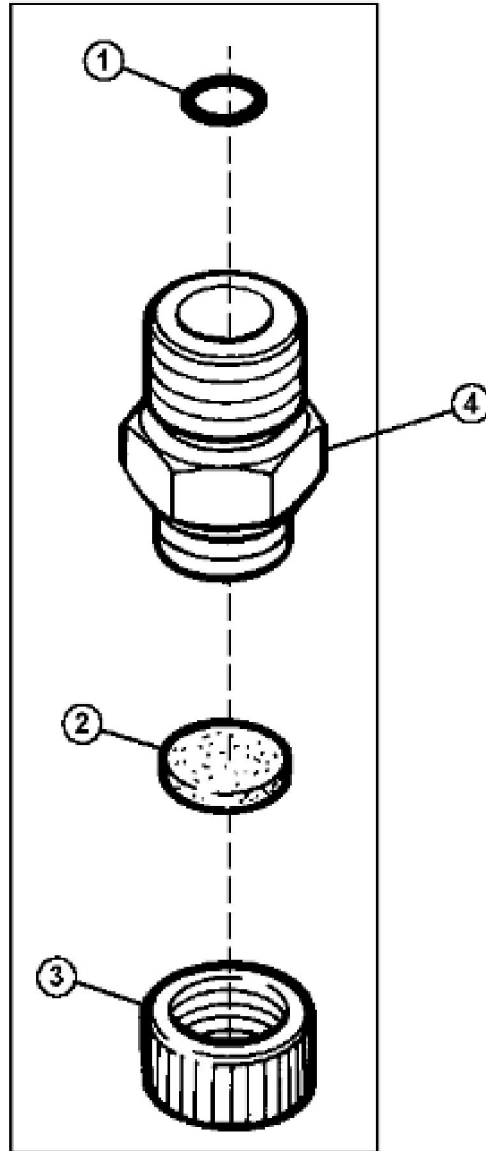
## PRESSURE REGULATING VALVE

KEY	PART NO.	PART NAME	QTY	REMARKS	
1	AT275298	VALVE SEAT	1		
2	AT275305	PISTON	1		
3	AT275316	COMPRESSION SPRING	1		
4	AT275346	BOLT	1		
5	AT218825	SEALING WASHER	1		
6	AT275345	PIPE PLUG	1		
7	AT218823	SEALING WASHER	2		
8	AT275308	NUT	1		
9	AT274096	NUT	1		



John Deere > Construction And Forestry >CRAWLER LOADER >655C - CRAWLER LOADER >655C Crawler Loader (Worldwide Edition) >04 ENGINE >0407 ENGINE OILING SYSTEM >ST38551 - ENGINE OIL PAN AND DIPSTICK

KEY	PART NO.	PART NAME	QTY	Serial No.	REMARKS
1	AT275377	GASKET	1		
2	AT275374	OIL PAN	1	____-006199	
2	AT301931	OIL PAN	1	006200-____	
2	AT275303	TUBE KIT	1		
3	12M5442	WASHER	26		8.400 X 15 X 0.800 mm
4	19M7513	CAP SCREW	26		M8 X 30
5	AT218825	SEALING WASHER	1		
6	AT218506	DRAIN VALVE	1		
7	R104558	O-RING	1		(SUB FOR AT218828)
8	AT218659	SEALING WASHER	1		
9	AT218722	CAP	1		
10	AT274692	O-RING	1		(SUB FOR AT275391)
11	AT300496	DIPSTICK TUBE	1	____-007094	
11	AT320256	DIPSTICK	1	007095-____	
12	AT275373	DIPSTICK TUBE	1		
13	AT320283	FITTING	1		
14	AT260902	RING	1		



T136138

Thank you so much for reading.  
Please click the “Buy Now!”  
button below to download the  
complete manual.



After you pay.

You can download the most  
perfect and complete manual in  
the world immediately.

Our support email:

[ebooklibonline@outlook.com](mailto:ebooklibonline@outlook.com)