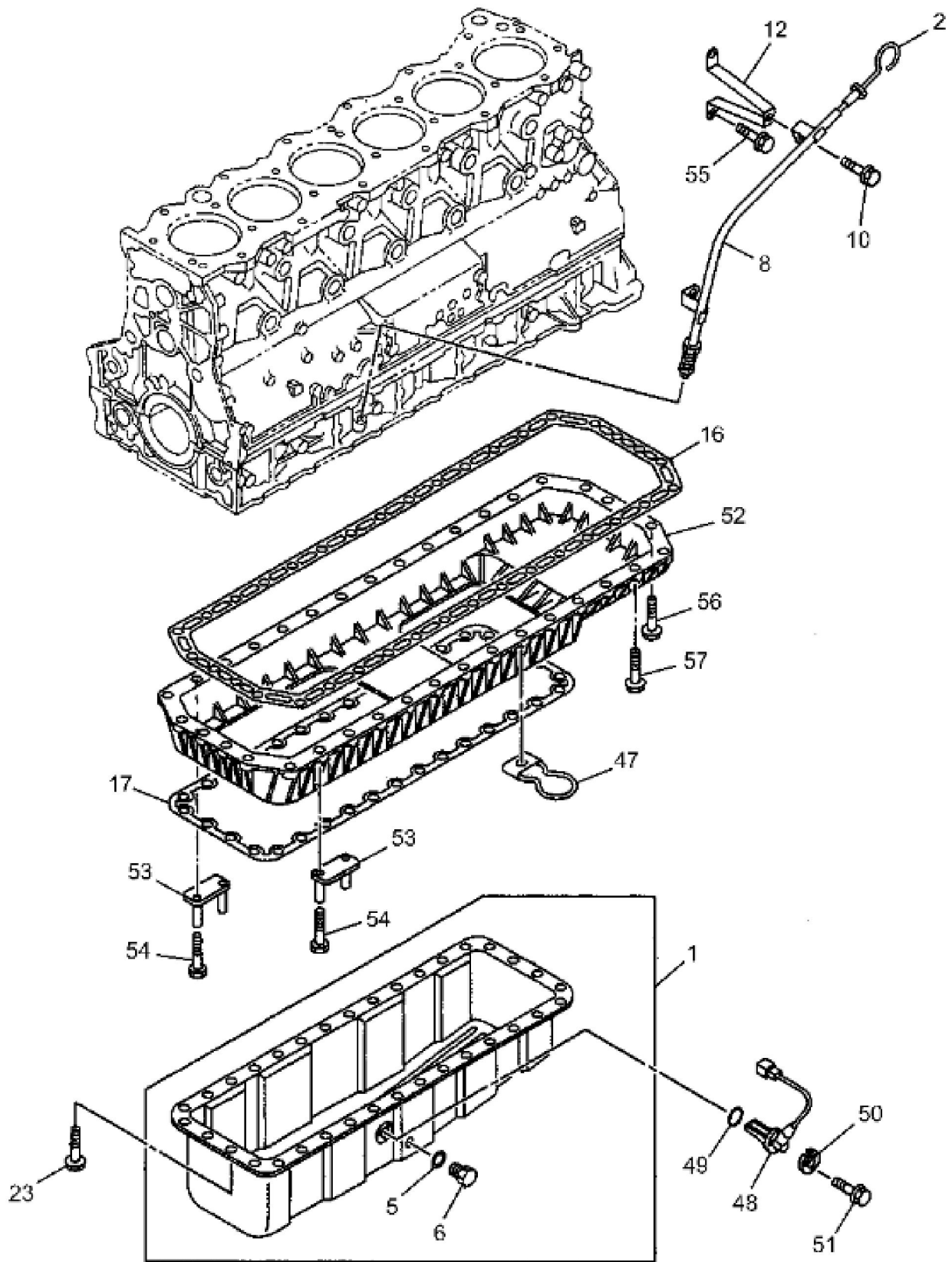
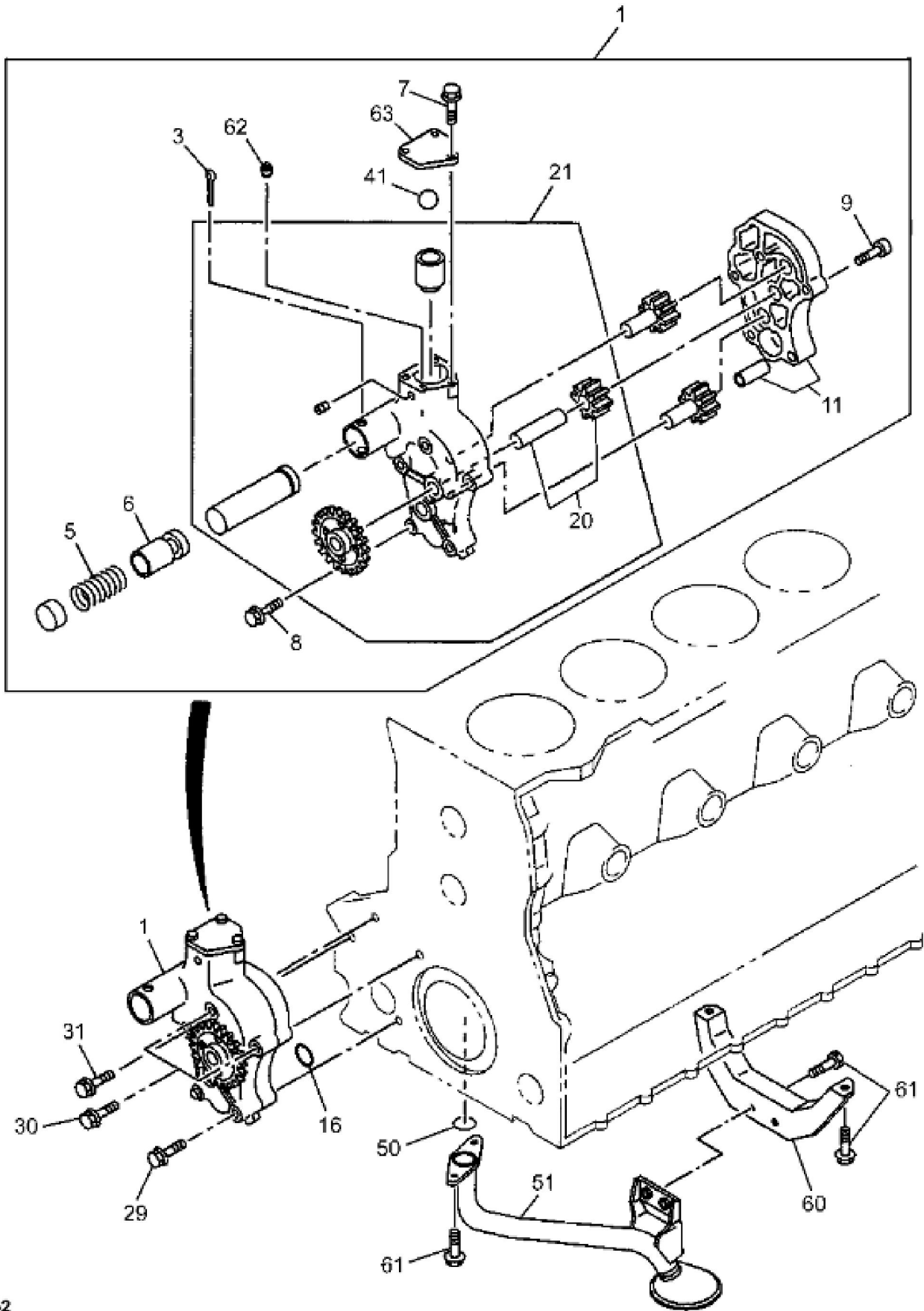


KEY	PART NO.	PART NAME	QTY	REMARKS
1	.....	CYLINDER BLOCK	1	
2	1878137120	PISTON-LINER KIT	6	SUB FOR 1878120711, AT263686, AT263686, 1878120712 OR 1878127731
2	1878137130	PISTON-LINER KIT	6	SUB FOR AT263687, 1878120720, 1878120721, 1878120722 OR 1878127741
4	.....	CYLINDER LINER	6	OD GRADE = 1X, ID GRADE = NON
4	.....	CYLINDER LINER	6	OD GRADE = 3X, ID GRADE = NON
30	9081510180	DOWEL PIN	3	(SUB FOR AT264138)OD = 10, L = 18, SUB FOR AT264138
32	8943255061	DOWEL PIN	2	SUB FOR AT264114
34	1131600303	PRESSURE RELIEF VALVE	1	SUB FOR AT263845 OR 1131600302
35	1096232970	GASKET	1	SUB FOR AT263770
36	1096000651	PLUG	2	(SUB FOR AT263797, 1096000650)OD = 40, SUB FOR AT263797 AND 1096000650
40	.....	DOWEL PIN	2	OD=10, L=18
41	8943998582	ADAPTER FITTING	1	SUB FOR AT263688
42	0281560150	BOLT	2	(SUB FOR AT263871)M10 X 150 FLANGE, SUB FOR AT263871 OR 0281860150
43	1090701510	BOLT	14	(SUB FOR AT263903)M18 X 150, SUB FOR AT263903
45	1090700873	BOLT	28	(SUB FOR AT263709)M12 X 114, SUB FOR AT263709OR 1090700872
46	1133490140	BOLT	6	SUB FOR AT264047
47	1097400681	DOWEL PIN	2	SUB FOR AT263957
50	1096300840	GASKET	1	(SUB FOR AT263940)ID = 12.2, SUB FOR AT263940
51	1096300890	GASKET	1	(SUB FOR AT263944)ID = 22, SUB FOR AT263944
52	1097490251	DOWEL PIN	2	(SUB FOR AT263958)L = 25, SUB FOR AT263958
54	1233355320	BRACKET	1	SUB FOR AT264107
56	1133421392	ORIFICE	6	SUB FOR 1133421391, 1133421390 OR AT263754
57	1096040350	PLUG	1	(SUB FOR AT263916)M22 X 12, SUB FOR AT263916
59	1096040950	PLUG	1	(SUB FOR AT263920)M12 X 9, SUB FOR AT263920
61	1096040980	PLUG	1	SUB FOR AT263921
83	9081514280	PIN FASTENER	2	SUB FOR AT264139

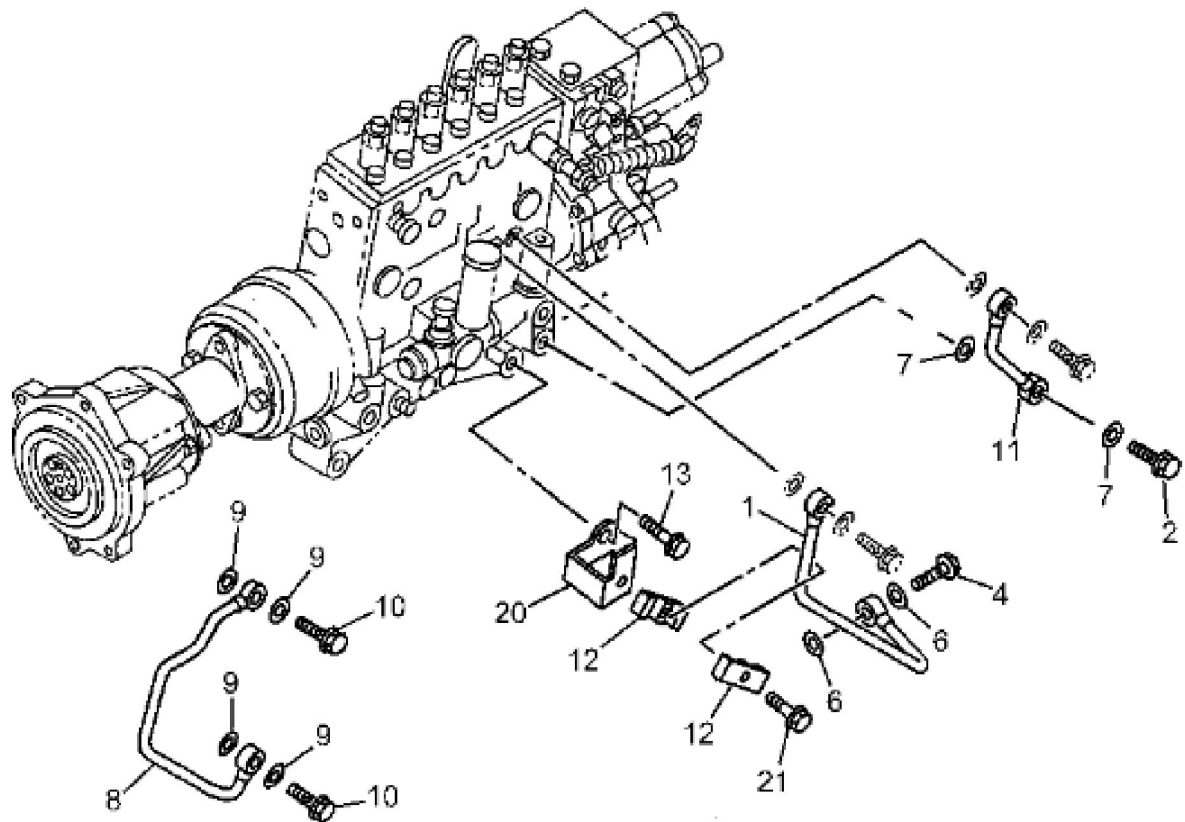
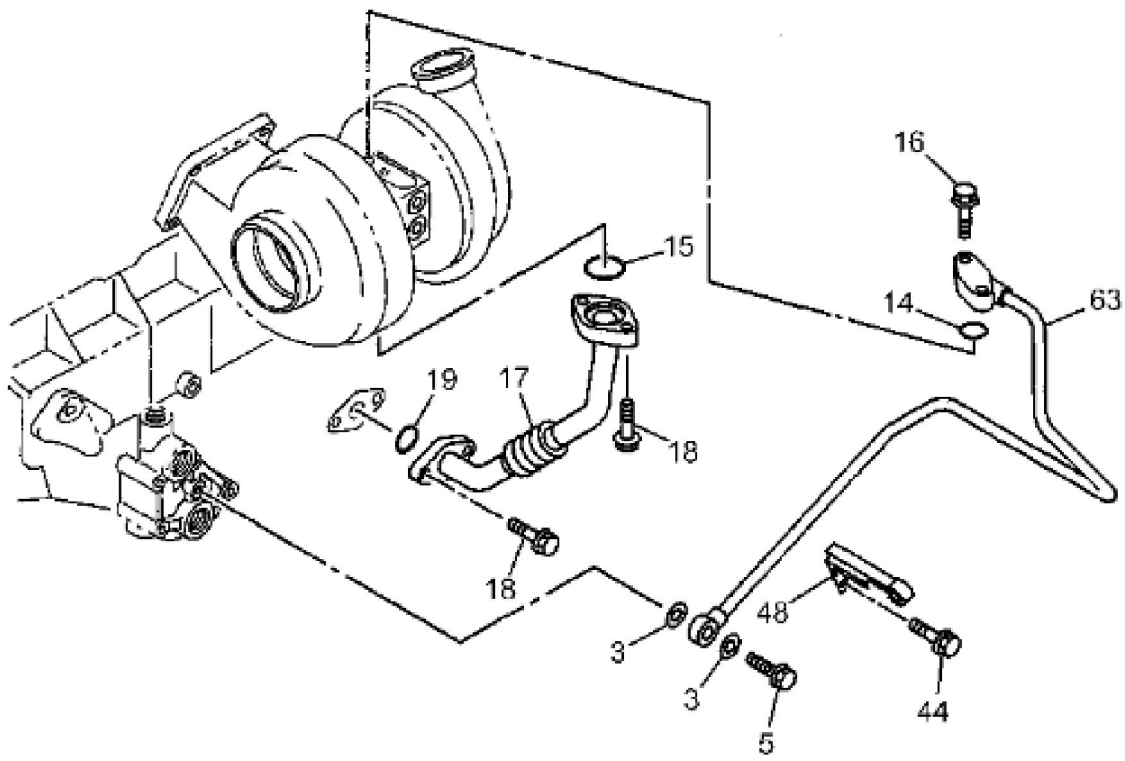


KEY	PART NO.	PART NAME	QTY	REMARKS
1	1113609180	PAN	1	SUB FOR AT263977, 1113608850, OR 1113609020
2	8980246010	LEVEL GAUGE	1	1117604430 NLA; SUB FOR AT263729, 1117604220, 1117604410
5	8943993980	GASKET	1	(PARTS INCLUDED IN ENGINE GASKET KIT.) SUB FOR AT254814 OR 1096231830
6	9096620120	PIPE PLUG	1	SUB FOR AT255027
8	1117665681	DIPSTICK TUBE	1	SUB FOR AT263985
10	4447335	BOLT	1	M10 X 20 FLANGE, SUB FOR AT196259, 0500410200
12	1117665460	BRACKET	1	SUB FOR AT263984
16	1113671300	GASKET	1	(PARTS INCLUDED IN ENGINE GASKET KIT.) USE WITH 1113608982
16	8980630320	GASKET	1	SUB FOR 8980630320
17	1113671310	GASKET	1	(PARTS INCLUDED IN ENGINE GASKET KIT.) SUB FOR 1113671210, AT263667
23	19M7866	SCREW	2	M8 X 20, SUB FOR AT259925
47	1113691460	CLIP	3	SUB FOR AT263979
48	8971312230	SENSOR	1	SUB FOR AT263829
49	8976049160	GASKET	2	ID = 27, SUB FOR 1096233550, AT263771
50	5113690720	SPACER	4	SUB FOR AT264111
51	1099805430	BOLT	2	M6X28, SUB FOR AT263889, 0501406280
52	.....	SPACER	1	SUB 8980900130; ALSO ORDER 8980630320; 1113608982 NLA
52	8980630320	GASKET	1	
53	1154196840	BRACKET	28	SUB FOR AT264093
54	0281560110	BOLT	1	M10X110, Flange, SUB FOR AT263869 OR 0281860110
55	0287810250	BOLT	12	M10X25, Flange, SUB FOR AT263878
56	0281810500	BOLT	12	M10X50, Flange, SUB FOR AT263865
57	0287810350	BOLT	1	M10X35, Flange, SUB FOR AT263880



T150452

KEY	PART NO.	PART NAME	QTY	REMARKS
1	1131003122	OIL PUMP	1	SUB FOR 1131002751 OR 1131003121
3	.....	COTTER PIN	1	L = 60, NLA AT264136
5	1095805340	SPRING	1	SUB FOR AT263914
6	.....	RELIEF VALVE	1	NLA AT264023
7	0280808180	BOLT	3	M8 X 18 Flange, SUB FOR AT263856
8	19M7742	CAP SCREW	1	M10 X 65, M10 X 60 FLANGE, SUB FOR 0168060650 OR AT263711
9	AT264133	BOLT	2	M8 X 35 SOCKET HEAD
11	AT264017	COVER	1	
16	1096235290	SEAL	1	SUB FOR AT263934
20	.....	GEAR	1	1131200800 USE UNTIL EXHAUSTED, SUB FOR AT264020
21	1131200891	GEAR	1	SUB FOR 1131200880, 1131200890, AT264021 OR 11310200821
29	8943973591	BOLT	1	M10 X 85 FLANGE, SUB FOR AT264122
30	8943994881	BOLT	2	M10 X 107 FLANGE, SUB FOR AT264125
31	9059210800	BOLT	1	M10 X 80, SUB FOR AT264134
41	AT264022	BALL	1	
50	1096235290	SEAL	1	SUB FOR AT263934
51	1133138853	STRAINER	1	SUB FOR AT264042 OR 1133138852
60	1133451801	BRACKET	1	SUB FOR AT264045
61	4447337	BOLT	6	M10 X 20 FLANGE, SUB FOR AT259935 OR 0281810200
62	AT264024	PLUG	1	
63	AT264025	COVER	1	



Thank you so much for reading.  
Please click the “Buy Now!”  
button below to download the  
complete manual.



After you pay.

You can download the most  
perfect and complete manual in  
the world immediately.

Our support email:

[ebooklibonline@outlook.com](mailto:ebooklibonline@outlook.com)