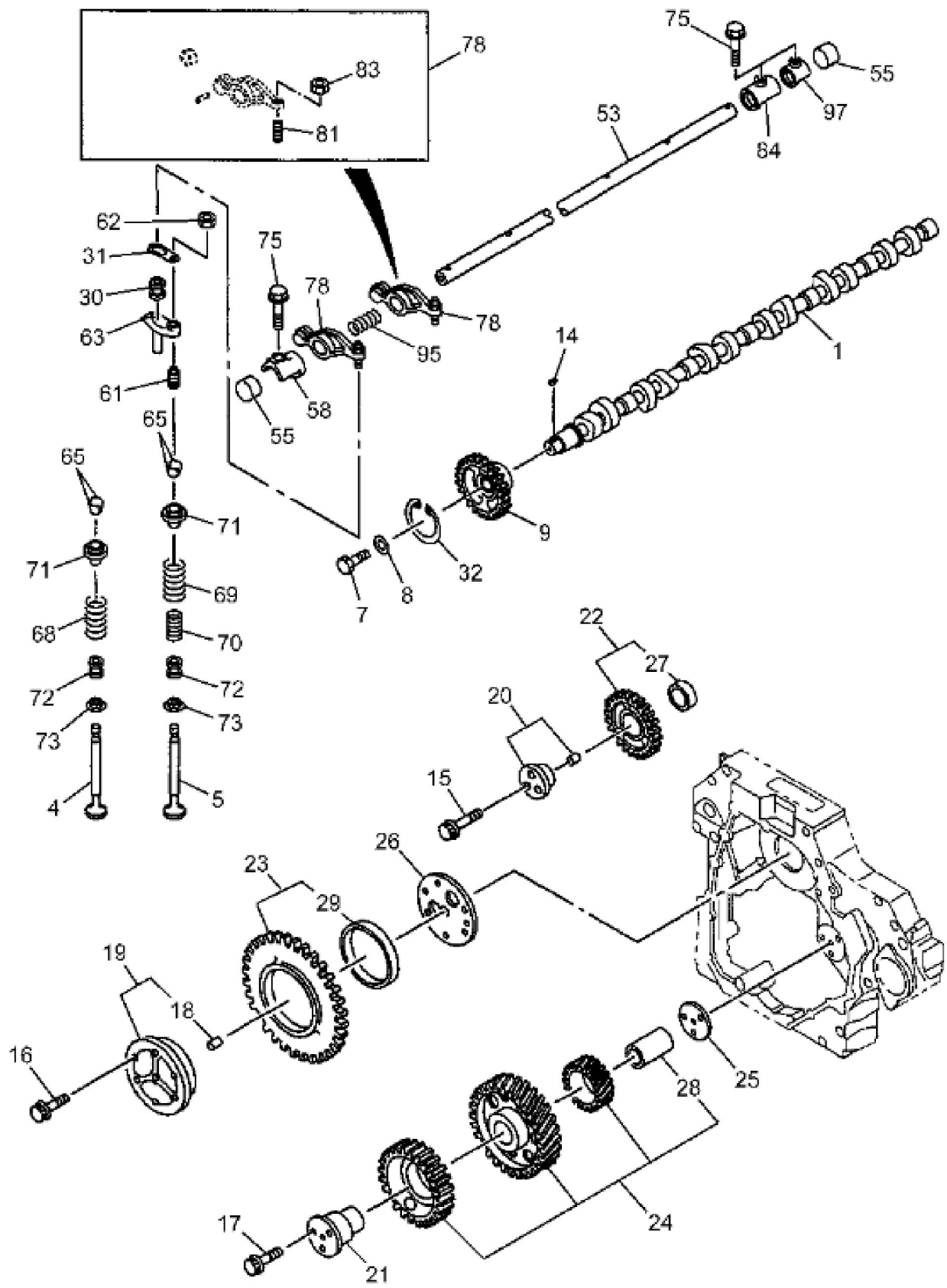


TX1057896

John Deere > Construction And Forestry > EXCAVATOR > 800C - EXCAVATOR > 800C Excavator > 04A ENGINE > 0401 CRANKSHAFT AND MAIN BEARINGS > ST142551 - CRANKSHAFT, PISTON AND FLYWHEEL

KEY	PART NO.	PART NAME	QTY	REMARKS
1	8981720140	CRANKSHAFT	1	SUB FOR 1123106751 OR AT263816
7	1115100935	BEARING KIT	1	SUB FOR 1115100934, 1115100933, AT263654, 1115100930 OR 1115100931
12	1123313941	FLYWHEEL	1	SUB FOR AT263988
15	0286808250	BOLT	1	
17	1112911020	COVER	1	
18	PULLEY	1	1123714680 NLA, SUB 1123714920, ALSO ORDER 0286808250 AND 1112911020
18	8981079930	PULLEY	1	SUB FOR 1123714920, ALSO ORDER 0286808250 AND 1112911020
20	1123751930	TORSIONAL DAMPER	1	SUB FOR AT263992
22	9098518620	LOCK PLATE	4	(SUB FOR AT264153)ID = 18, SUB FOR AT264153
23	1123790391	WASHER	1	SUB FOR AT263993 AND 1123790390
24	0287912300	BOLT	8	(SUB FOR AT263882)M12 X 30, SUB FOR AT263882
28	1125210612	GEAR	1	SUB FOR AT263732, 1125210611 OR 1125210680
35	1123330131	RING GEAR	1	(SUB FOR AT263989, 1123330050 OR 1123330130)Z = 139, SUB FOR AT263989, 1123330050 OR 1123330130
38	1123360110	WASHER	1	SUB FOR AT263990
40	1090700171	BOLT	10	SUB FOR AT263900
42	8981518500	THRUST WASHER	2	SUB FOR AT263980, 1115990090 OR 8976067100
43	1095870820	SNAP RING	12	SUB FOR AT263760
44	1096050210	PIPE PLUG	6	SUB FOR AT263922
45	1122110291	PIN FASTENER	1	SUB FOR AT263787
50	1090700171	BOLT	4	
51	1122110291	PIN FASTENER	1	SUB FOR AT263787
63	1121119642	PISTON	6	SUB FOR AT263790 OR 1121119641
68	1121211430	PISTON RING KIT	6	SUB FOR AT263750
73	1122710721	BEARING	6	SUB FOR AT263653, 1122710720
83	1122110291	PIN FASTENER	6	SUB FOR AT263787
84	8981159480	CONNECTING ROD	6	SUB FOR 1122301762 AND AT263806
85	8981159590	BUSHING	6	SUB FOR 1122510374 AND AT263720
86	1122350363	BOLT	12	SUB FOR AT263714
88	1122390051	NUT	12	SUB FOR AT263757



John Deere > Construction And Forestry > EXCAVATOR > 800C - EXCAVATOR > 800C Excavator > 04A ENGINE > 0402 CAMSHAFT AND VALVE ACTUATING MEANS > ST142552 - CAMSHAFT, VALVE AND
ROCKER ARM

KEY	PART NO.	PART NAME	QTY	REMARKS
1	1125112552	CAMSHAFT	1	SUB FOR AT263817
4	1125511516	VALVE	1	SUB FOR AT263850, 1125511510, 1125511511, 1125511512, 1125511513, 1125511514 OR 1125511515
5	1125521092	VALVE	1	SUB FOR 1125521091, AT263849 OR 1125521090
7	9920614280	BOLT	1	(SUB FOR AT264164)M14 X 28, SUB FOR AT264164
8	9098518503	WASHER	2	(SUB FOR AT264152)ID = 14.5, SUB FOR AT264152
9	1125220601	GEAR	1	(SUB FOR AT263731 OR 1125220552)Z = 54, SUB FOR 1125220600, AT263731 OR 1125220552
14	9080555160	KEY	12	SUB FOR AT263746
15	0281810400	BOLT	1	(SUB FOR AT263710)M10 X 40 FLANGE, SUB FOR AT263710
16	19M7742	CAP SCREW	1	M10 X 65, (SUB FOR 0168060650) (SUB FOR AT263711)M10 X 60 FLANGE, SUB FOR 0168060650 OR AT263711
17	19M7742	CAP SCREW	1	M10 X 65, (SUB FOR 0168060650) (SUB FOR AT263711)M12 X 114, SUB FOR 0168060650 OR AT263711
18	9081612320	DOWEL PIN	1	SUB FOR AT264140
19	1125310762	SHAFT	1	SUB FOR AT263813 OR 1125310761
20	1125310922	SHAFT	1	SUB FOR 1125310921 OR AT263814
21	1125310931	SHAFT	1	SUB FOR AT263815
22	1125232153	GEAR	1	SUB FOR AT263733
23	1125233130	GEAR	1	SUB FOR AT263734
24	1125233340	IDLER GEAR	1	SUB FOR AT263735
25	1125350081	BUSHING	1	SUB FOR AT263999
26	1125350190	BUSHING	12	SUB FOR AT264000
27	8980811680	BUSHING	1	SUB FOR 1093301080 OR AT263718
28	8980811670	BUSHING	1	SUB FOR 1093301130 OR AT263719
29	1093301241	BUSHING	12	SUB FOR AT263906 OR 1093301240
30	1126160400	CAP	1	SUB FOR AT264011
31	1126190112	PLATE	1	SUB FOR AT264012
32	1125290030	SNAP RING	1	SUB FOR AT263998
53	1126210900	SHAFT	12	SUB FOR AT264013
55	5112190080	PLUG	12	SUB FOR AT264155 OR 9111290820
58	1126280703	BRACKET	48	SUB FOR AT264015, 1126280701 OR 1126280702
61	1126160420	SCREW	12	SUB FOR AT264157 OR 9126160530

KEY	PART NO.	PART NAME	QTY	REMARKS
62	14M7500	NUT	12	M10, (SUB FOR AT264151 AND 9098403100)M10, SUB FOR AT264151 OR 9098403100
63	1126112773	DRAWER SLIDE	12	SUB FOR AT264009, 1126112771 OR 1126112772
65	1125650070	BUSHING	24	SUB FOR AT264006
68	8976033050	SPRING	24	SUB FOR AT264001 OR 1125610920
69	1125610930	SPRING	24	SUB FOR AT264002
70	1125620600	SPRING	7	SUB FOR AT264003
71	1125630550	PLATE	12	SUB FOR AT264004
72	1125690200	SEAL	12	SUB FOR AT264007
73	1125630562	PLATE	12	SUB FOR AT264005
75	1090440871	BOLT	5	(SUB FOR AT263899)M12 X 97 FLANGE, SUB FOR AT263899
78	1126100611	ROCKER ARM	6	SUB FOR AT264008
81	1126160341	SCREW	1	SUB FOR AT264010
83	9991105120	NUT	3	SUB FOR AT264166
84	1126280682	BRACKET	6	(SUB FOR AT264014 OR 1126280681)M12, SUB FOR AT264014 OR 1126280681
95	1095804721	SPRING	1	SUB FOR AT263913
97	1126280723	BRACKET	1	SUB FOR AT264016, 1126280721 OR 1126280722

KEY	PART NO.	PART NAME	QTY	REMARKS
1	AT263963	CYLINDER BLOCK	1	
2	1878137120	PISTON-LINER KIT	6	Grade = 1X, SUB FOR 1878120711, AT263686, 1878120710, 1878120712 OR 1878127731
2	1878137130	PISTON-LINER KIT	6	Grade = 3X, SUB FOR AT263687, 1878120720, 1878120721, 1878120722 OR 1878127741
4	AT263842	CYLINDER LINER	6	OD GRADE = 1X
4	1112613802	CYLINDER LINER	6	(SUB FOR AT263843, 1112613340, 1112613342 OR 1112613800)OD GRADE = 3X, SUB FOR AT263843, 1112613340, 1112613342, 1112613800
30	9081510180	DOWEL PIN	3	(SUB FOR AT264138)OD = 10, LGTH = 18, SUB FOR AT264138
32	8943255061	DOWEL PIN	2	SUB FOR AT264114
34	RELIEF VALVE	1	AT263845 NLA
35	1096232970	GASKET	1	SUB FOR AT263770
36	1096000651	PLUG	2	(SUB FOR AT263797, 1096000650)OD = 40, SUB FOR AT263797 OR 1096000650
37	1096000581	PLUG	4	(SUB FOR AT254808 OR 1096000580)OD = 45, SUB FOR AT254808 OR 1096000580
40	8943255061	DOWEL PIN	2	(SUB FOR AT264114)OD = 10, L = 18, SUB FOR AT264114
41	8943998582	ADAPTER FITTING	1	SUB FOR AT263688
42	0281560150	BOLT	2	(SUB FOR AT263871)M10 X 150 FLANGE, SUB FOR AT263871 OR 0281860150
43	1090701510	BOLT	14	(SUB FOR AT263903)M18 X 150, SUB FOR AT263903
44	1096000160	PLUG	4	(SUB FOR AT263792)OD = 25, SUB FOR AT263792
45	1090700873	BOLT	28	(SUB FOR AT263709)M12 X 114, SUB FOR AT263709 OR 1090700872
46	1133490140	BOLT	6	SUB FOR AT264047
47	1097400681	DOWEL PIN	2	SUB FOR AT263957
50	1096300840	GASKET	1	(SUB FOR AT263940)ID = 12.2, SUB FOR AT263940
51	1096300890	GASKET	1	(SUB FOR AT263944)ID = 22, SUB FOR AT263944
52	1097490251	DOWEL PIN	2	(SUB FOR AT263958)LGTH = 25, SUB FOR AT263958
54	1233355320	BRACKET	1	SUB FOR AT264107
56	1133421392	ORIFICE	6	SUB FOR 1133421391, 1133421390 OR AT263754
57	1096040350	PLUG	1	(SUB FOR AT263916)M22 X 12, SUB FOR AT263916
59	1096040950	PLUG	1	(SUB FOR AT263920)M12 X 9, SUB FOR AT263920
61	1096040980	PLUG	1	SUB FOR AT263921

Thank you so much for reading.
Please click the “Buy Now!”
button below to download the
complete manual.



After you pay.

You can download the most
perfect and complete manual in
the world immediately.

Our support email:

ebooklibonline@outlook.com