

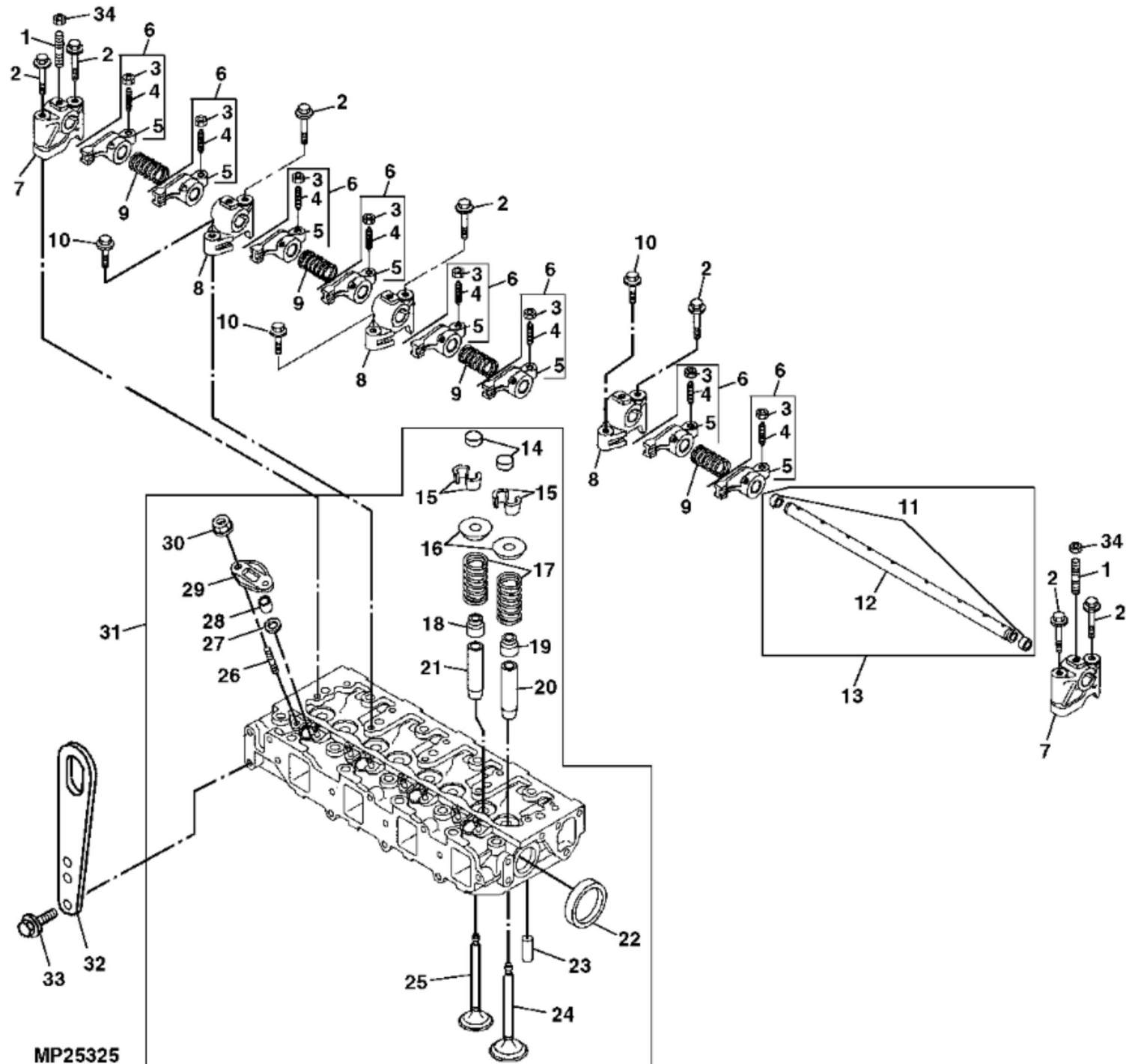
MP31875

John Deere > Turf And Utility >TRACTOR >110TLB - TRACTOR >110 Tractor Loader Backhoe (Worldwide Edition) >20 ENGINE 4TNE84-EJTLB, 4TNV88-MJTLB >ST151417 - CYLINDER BLOCK AND MAIN BEARINGS (4TNE84-EJTLB) (- 311032)

KEY	PART NO.	PART NAME	QTY	REMARKS
1	M801186	BOLT	18	
2	M806505	ENGINE CYLINDER HEAD GASKET	1	
3	AM879992	CYLINDER BLOCK	1	
4	CH10335	PLUG	2	
5	EPC200680	PLUG	1	
6	M802255	PIN	2	
7	DRAIN PLUG	1	(ORDER AM879992)
8	CH18079	SPRING PIN	2	
9	30M7023	PLUG	8	
10	15H562	PIPE PLUG	1	1"
11	MIU800573	CAMSHAFT	1	(SUB FOR M800977)
12	M800978	SHAFT	1	
13	CH19101	BOLT	2	
14	M87801	PLUG	2	
15	M800974	PIPE	2	
16	MIA880555	BEARING	2	(SUB FOR AM875373)
17	AM875371	BEARING KIT	4	(STD)
17	MIA880550	BEARING	4	.25MM (.010") , US, (SUB FOR AM875374)
18	BEARING CAP	3	(ORDER AM879992)
19	M801189	BOLT	8	
20	BEARING CAP	1	(ORDER AM879992)
21	M806938	PLUG	1	
22	CH10554	PACKING	4	(SUB FOR R180245)
23	19M7864	SCREW	2	M8 X 12, (HS, HEAD MARKED 10.9)
24	T113961	PLUG	1	
25	AM100800	DRAIN VALVE	1	
26	MIA882698	SHORT BLOCK ASSEMBLY	1	Not Illustrated; SUB FOR AM880565
..	AM131995	DIESEL ENGINE	1	(MARKED 4TNE84-EJTLB), (SUB AM880565)

John Deere > Turf And Utility >TRACTOR >110TLB - TRACTOR >110 Tractor Loader Backhoe (Worldwide Edition) >20 ENGINE 4TNE84-EJTLB, 4TNV88-MJTLB >ST151418 - CYLINDER BLOCK AND MAIN BEARINGS (4TNV88-MJTLB) (311033 - 711000)

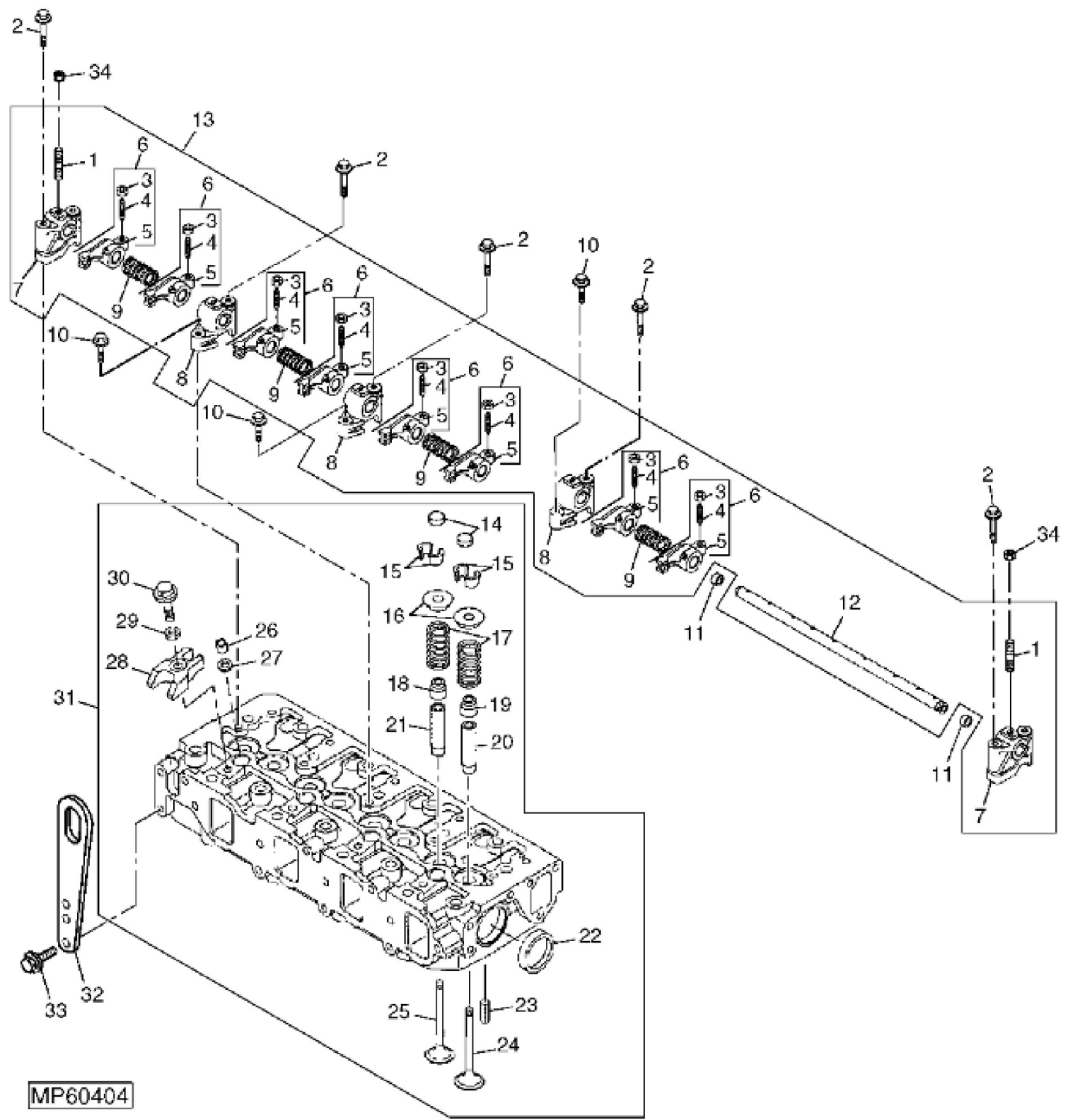
KEY	PART NO.	PART NAME	QTY	REMARKS
1	M801186	BOLT	18	
2	M806518	ENGINE CYLINDER HEAD GASKET	1	
3	CH18079	SPRING PIN	2	
4	CH10335	PLUG	2	
5	CH10314	PLUG	1	
6	15H562	PIPE PLUG	1	1"
7	30M7023	PLUG	8	
8	MIU800573	CAMSHAFT	1	(SUB FOR M800977)
9	M87801	PLUG	2	
10	M800974	PIPE	2	
11	M802255	PIN	4	
12	M811307	PLUG	1	
13	BEARING CAP	4	(ORDER AM882032)
14	DRAIN PLUG	1	(ORDER AM882032)
15	19M8317	SCREW	3	M8 X 40
16	M811055	SHAFT	1	
17	M811084	SPACER	1	
18	AM875371	BEARING KIT	5	MAIN
18	MIA880550	BEARING	5	.25MM (.010") , US, (SUB FOR AM875374)
19	MIA880555	BEARING	2	(SUB FOR AM875373)
20	M801189	BOLT	10	
21	BEARING CAP	1	BASE, (ORDER AM882032)
22	AM882032	CYLINDER BLOCK	1	
23	AM100800	DRAIN VALVE	1	
24	19M7783	SCREW	2	M10 X 16, (HS, HEAD MARKED 10.9)
25	LVU16568	BRACKET	1	LOWER AFT LH SIDE OF ENG, (SUB FOR LVU12202)
..	AM133224	DIESEL ENGINE	1	(MARKED 4TNV88-MJTLB) (SUB AM882034)
..	AM882034	SHORT BLOCK ASSEMBLY	1	NLA; ORDER MIA882694(INCLUDES AM882032 AND M811307)
..	MIA882694	SHORT BLOCK ASSEMBLY	1	



MP25325

John Deere > Turf And Utility >TRACTOR >110TLB - TRACTOR >110 Tractor Loader Backhoe (Worldwide Edition) >20 ENGINE 4TNE84-EJTLB, 4TNV88-MJTLB >ST151419 - CYLINDER HEAD, VALVES AND
ROCKER ARMS (4TNE84-EJTLB) (- 311032)

KEY	PART NO.	PART NAME	QTY	REMARKS
1	M801024	STUD	3	
2	19M7800	SCREW	7	M8 X 50, (HS, HEAD MARKED 10.9)
3	M801028	NUT	1	
4	M801027	SCREW	1	
5	ROCKER ARM	1	(ORDER AM875383)
6	AM875383	ROCKER ARM	8	
7	M801022	SUPPORT	2	ROCKER ARM
8	M801023	SUPPORT	3	ROCKER ARM
9	M801025	SPRING	4	
10	19M7867	SCREW	3	M8 X 25, (HS, HEAD MARKED 10.9)
11	M800002	PLUG	2	
12	ROCKER ARM SHAFT	1	(ORDER AM875382)
13	AM875382	SHAFT	1	ROCKER ARM
14	M801224	CAP	8	
15	AM878862	RETAINER KIT	4	(2 PER PKG), (SUB FOR CH10067)
16	M801223	RETAINER	8	SPRING
17	M801222	SPRING	8	VALVE
18	T110650	SEAL	4	EXHAUST
19	CH10450	SEAL	4	INTAKE
20	M801227	GUIDE	4	INTAKE
21	M801228	GUIDE	4	EXHAUST
22	CH16751	PLUG	2	
23	CH18079	SPRING PIN	2	
24	M801220	INTAKE VALVE	4	
25	MIU800494	EXHAUST VALVE	4	(SUB FOR M811796)
26	M801219	BOLT	8	
27	M801017	VALVE SEAT	4	
28	M801016	SEAL	4	
29	M801018	RETAINER	4	
30	14M7303	FLANGE NUT	8	M6
31	AM879737	CYLINDER HEAD	1	
32	AT211695	ADJUSTING STRAP	2	ENGINE LIFT
33	19M7865	SCREW	4	M8 X 16, (HS, HEAD MARKED 10.9)
34	14M7273	NUT	3	M8



MP60404

Thank you so much for reading.
Please click the “Buy Now!”
button below to download the
complete manual.



After you pay.

You can download the most
perfect and complete manual in
the world immediately.

Our support email:

ebooklibonline@outlook.com