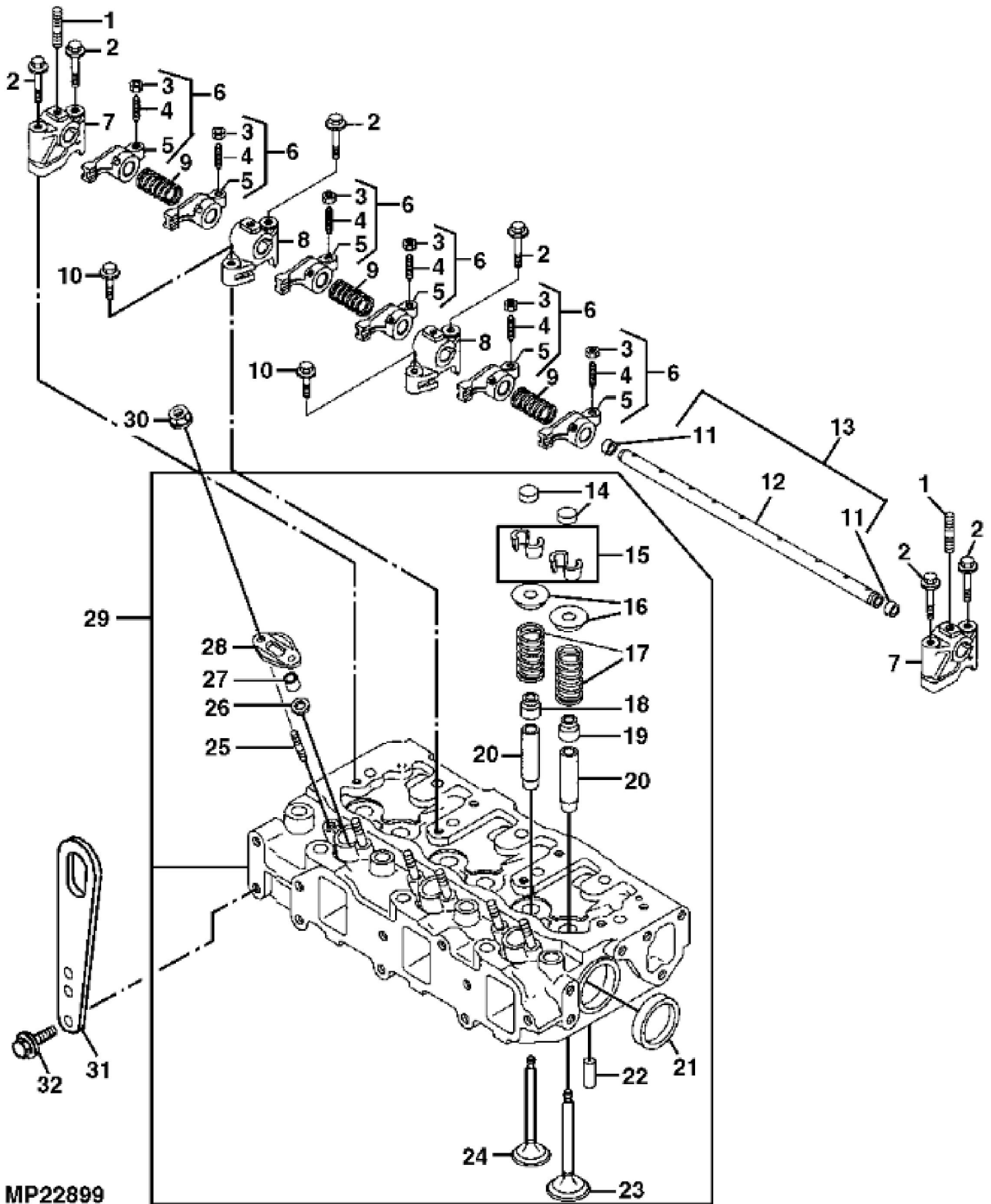


MP26551

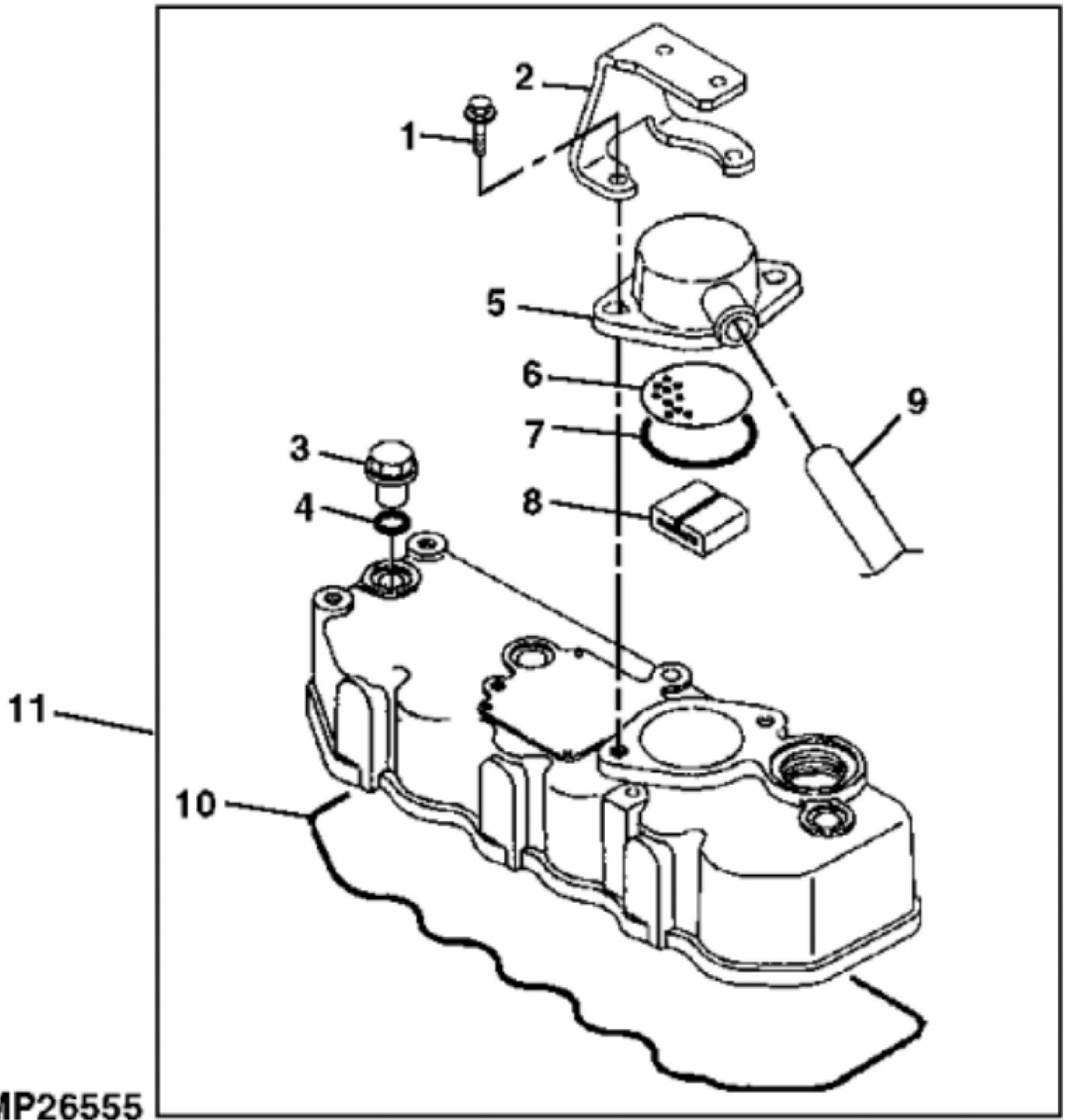
| KEY | PART NO. | PART NAME | QTY | REMARKS |
|-----|-----------|-----------------------------|-----|---------------------------------------|
| 1 | M800970 | BOLT | 14 | |
| 2 | M806729 | ENGINE CYLINDER HEAD GASKET | 1 | |
| 3 | AM878590 | CYLINDER BLOCK | 1 | |
| 4 | CH10335 | PLUG | 3 | |
| 5 | EPC200680 | PLUG | 1 | |
| 6 | M802255 | PIN | 4 | 8 X 16 |
| 7 | | DRAIN PLUG | 1 | |
| 8 | CH18079 | SPRING PIN | 2 | |
| 9 | 30M7023 | PLUG | 6 | |
| 10 | 15H562 | PIPE PLUG | 1 | 1" |
| 11 | M800977 | BUSHING | 1 | CAMSHAFT |
| 12 | M800978 | SHAFT | 1 | IDLER |
| 13 | CH19101 | BOLT | 2 | |
| 14 | M87801 | PLUG | 2 | |
| 15 | M800974 | PIPE | 2 | |
| 16 | MIA880553 | BEARING | 2 | STD, (SUB FOR AM875301) |
| 16 | AM875594 | BEARING KIT | 2 | .25 MM (.010") OS |
| 17 | MIA880559 | BEARING | 4 | STD, (SUB FOR AM875300) |
| 17 | MIA880549 | BEARING | 4 | .25 MM (.010") US, (SUB FOR AM875302) |
| 18 | | BEARING CAP | 3 | |
| 19 | M87879 | BOLT | 8 | |
| 20 | | BEARING CAP | 1 | |
| .. | | ENGINE | 1 | (MARKED 3TNE78A-EJK) (ORDER AM880660) |
| .. | AM880660 | SHORT BLOCK ASSEMBLY | 1 | |



MP22899

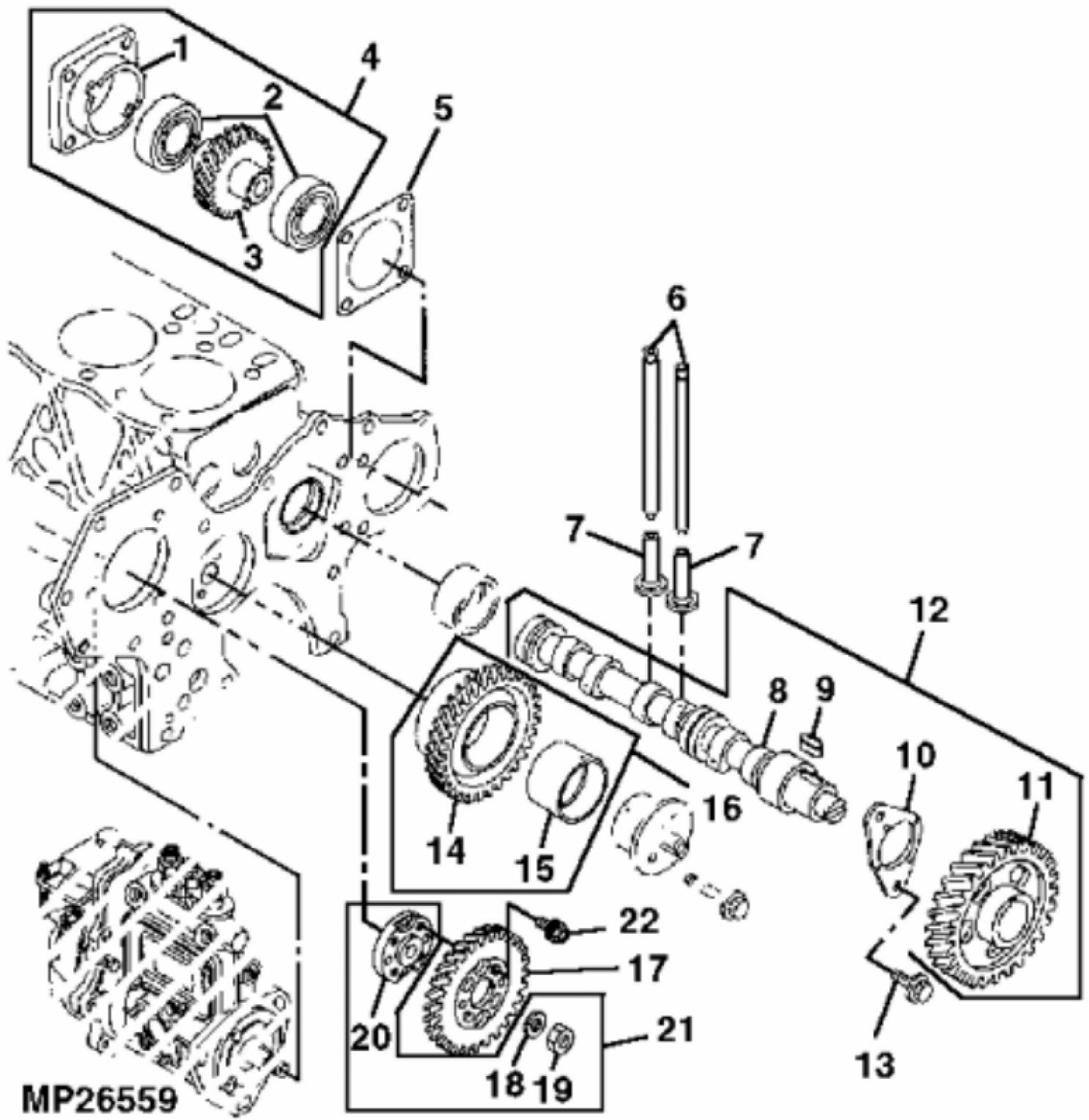
ARMS

| KEY | PART NO. | PART NAME | QTY | REMARKS |
|-----|----------|------------------|-----|-------------------------------|
| 1 | M801024 | STUD | 3 | |
| 2 | 19M7800 | SCREW | 6 | M8 X 50 |
| 3 | M801028 | NUT | 1 | |
| 4 | M801027 | SCREW | 1 | |
| 5 | | ROCKER ARM | 1 | |
| 6 | RG60245 | ROCKER ARM | 6 | |
| 7 | M801022 | SUPPORT | 2 | ROCKER ARM |
| 8 | M801023 | SUPPORT | 2 | ROCKER ARM |
| 9 | M801025 | SPRING | 3 | |
| 10 | 19M7867 | SCREW | 2 | M8 X 25 |
| 11 | M800002 | PLUG | 2 | |
| 12 | | ROCKER ARM SHAFT | 1 | |
| 13 | AM875310 | SHAFT | 1 | SUPPORT |
| 14 | CH12585 | CAP | 6 | |
| 15 | AM100828 | RETAINER KIT | 3 | VALVE RETAINER |
| 16 | M801015 | RETAINER | 6 | SPRING |
| 17 | M801014 | SPRING | 6 | VALVE |
| 18 | CH10346 | SEAL | 3 | EXHAUST |
| 19 | CH10346 | SEAL | 3 | INTAKE |
| 20 | CH16041 | GUIDE | 6 | |
| 21 | CH16751 | PLUG | 2 | |
| 22 | CH18079 | SPRING PIN | 1 | |
| 23 | M801012 | INTAKE VALVE | 3 | |
| 24 | RG60149 | EXHAUST VALVE | 3 | |
| 25 | M801011 | STUD | 6 | |
| 26 | M801017 | VALVE SEAT | 3 | |
| 27 | M801016 | GUARD | 3 | (SUB FOR M806732 AND M810460) |
| 28 | M801018 | RETAINER | 3 | |
| 29 | AM878523 | CYLINDER HEAD | 1 | |
| 30 | 14M7303 | FLANGE NUT | 6 | M6 |
| 31 | AT211695 | LIFT ARM | 2 | |
| 32 | 19M7865 | SCREW | 4 | M8 X 16 |



MP26555

| KEY | PART NO. | PART NAME | QTY | REMARKS | |
|-----|----------|-------------|-----|--------------------------|--|
| 1 | 19M7867 | SCREW | 2 | M8 X 25, SUB FOR CH19088 | |
| 2 | M810130 | BRACKET | 1 | | |
| 3 | CH10348 | NUT | 3 | | |
| 4 | CH10568 | PACKING | 3 | | |
| 5 | M801031 | CAP | 1 | | |
| 6 | M801033 | PLATE | 1 | | |
| 7 | M801034 | O-RING | 1 | | |
| 8 | M801032 | DEFLECTOR | 1 | | |
| 9 | M801037 | HOSE | AR | BREATHER | |
| 10 | M801036 | GASKET | 1 | | |
| 11 | AM881017 | VALVE COVER | 1 | | |



Thank you so much for reading.
Please click the “Buy Now!”
button below to download the
complete manual.



After you pay.

You can download the most
perfect and complete manual in
the world immediately.

Our support email:

ebooklibonline@outlook.com