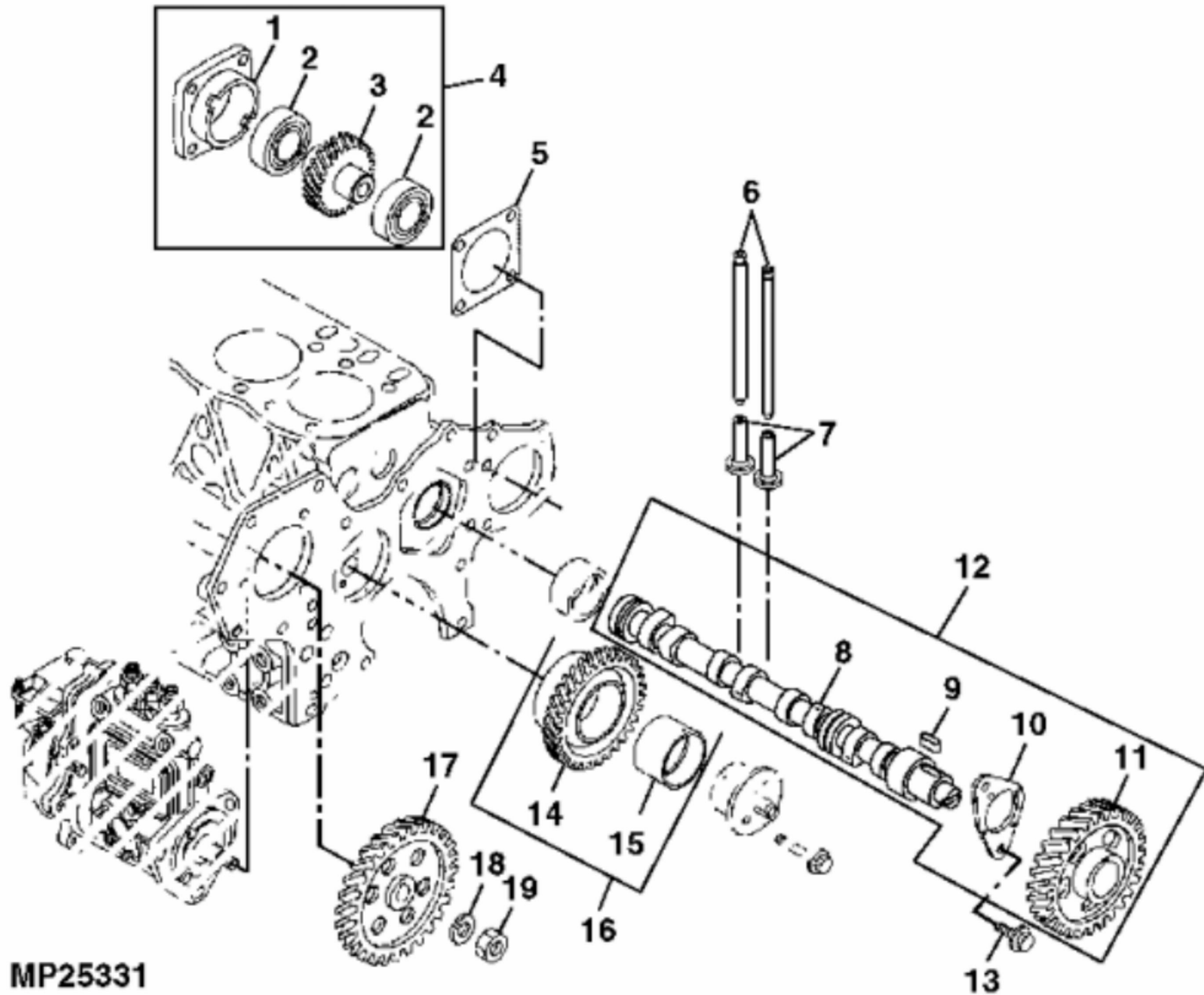
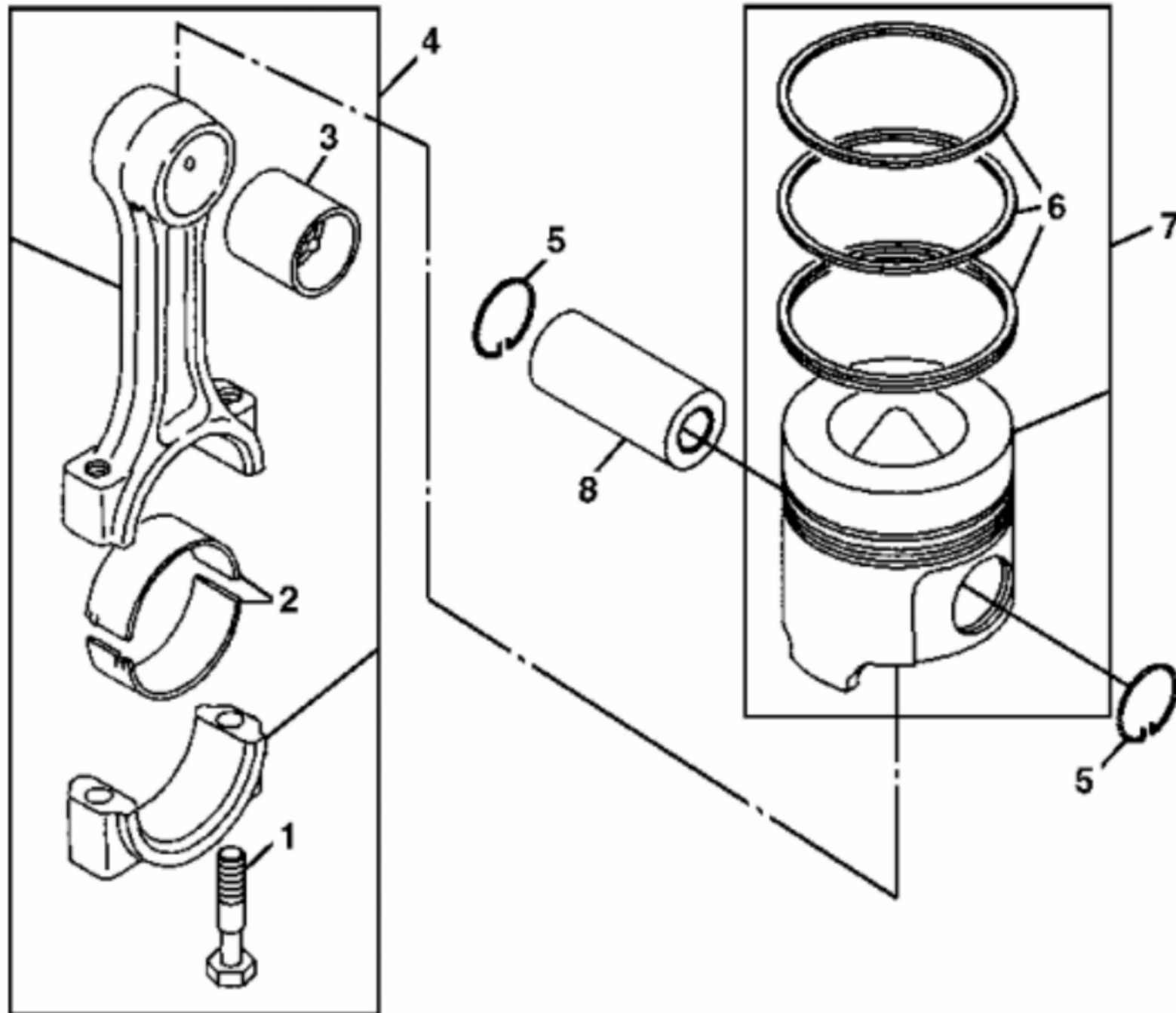


MP25330

KEY	PART NO.	PART NAME	QTY	REMARKS	
1	CH10348	NUT	3		
2	CH10568	PACKING	3		
3	19M7865	SCREW	2	M8 X 16	
4	M801031	CAP	1		
5	M801033	PLATE	1		
6	M801034	O-RING	1		
7	M801032	DEFLECTOR	1		
8	M801230	GASKET	1		
9	M805710	CAP	1	BREATHER	
10	M805711	PACKING	1		
11	RG60621	COVER	1		
12	M801037	HOSE	AR	BREATHER	

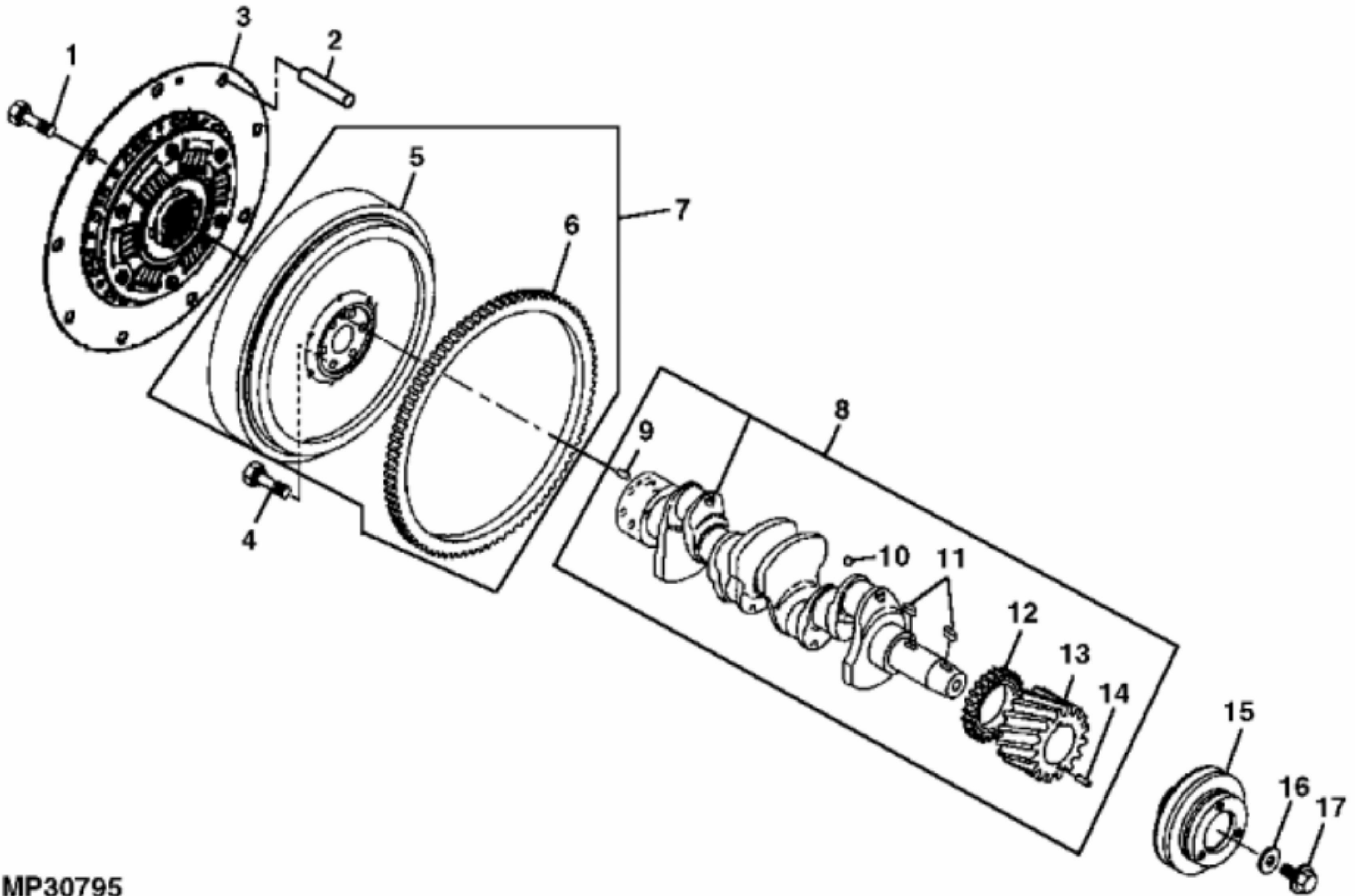


KEY	PART NO.	PART NAME	QTY	REMARKS	
1	M802618	BRACKET	1		
2	CH13505	BALL BEARING	2		
3	GEAR	1		
4	AM876339	GEAR	1		
5	M805840	GASKET	1		
6	M801238	PUSH ROD	8		
7	M801046	CAM FOLLOWER	8		
8	CAMSHAFT	1		
9	M801045	SHAFT KEY	1		
10	THRUST BEARING	1		
11	GEAR	1		
12	AM875386	CAMSHAFT	1		
13	CH19780	BOLT	2		
14	GEAR	1		
15	M801050	BUSHING	1		
16	AM875315	GEAR	1		
17	M801239	GEAR	1		
18	12M7067	LOCK WASHER	1	12 mm	
19	14M7275	NUT	1	M12	



MP18666

KEY	PART NO.	PART NAME	QTY	REMARKS	
1	CH15483	BOLT	2		
2	MIA880563	BEARING	1	STD, (SUB FOR AM875392)	
2	MIA880568	BEARING	1	.25 MM (.010") US, (SUB FOR AM875395)	
3	M801256	BEARING	1		
4	AM875391	CONNECTING ROD	4		
5	M806457	CLIP	8		
6	AM879901	PISTON RING	1	STD	
6	AM878642	PISTON RING KIT	1	.25 MM (.010") OS	
7	AM880521	PISTON REPLACEMENT KIT	1	STD	
7	AM880518	PISTON REPLACEMENT KIT	1	.25 MM (.010") OS	
8	M806456	PISTON PIN	4		



MP30795

Thank you so much for reading.
Please click the “Buy Now!”
button below to download the
complete manual.



After you pay.

You can download the most
perfect and complete manual in
the world immediately.

Our support email:

ebooklibonline@outlook.com