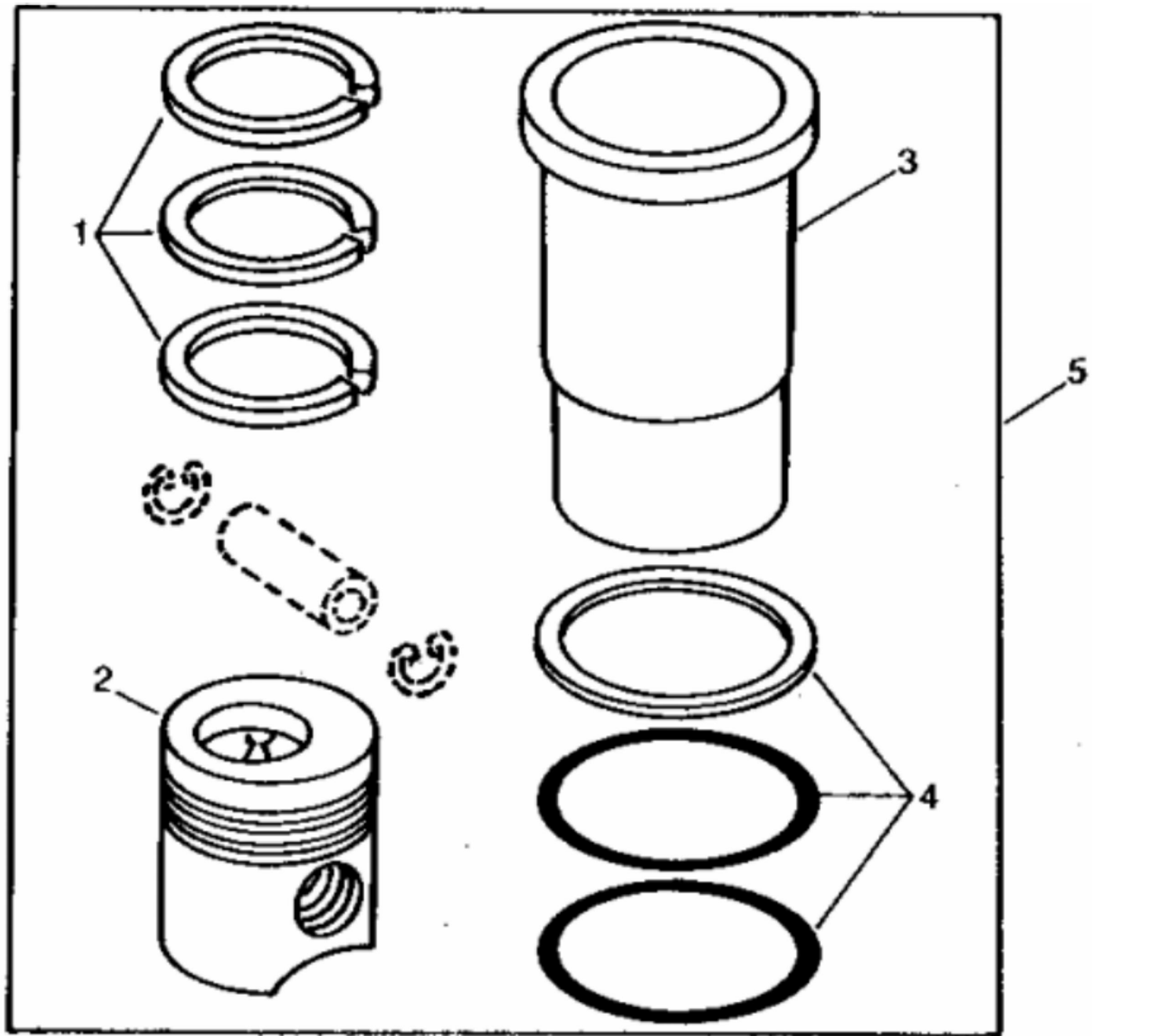


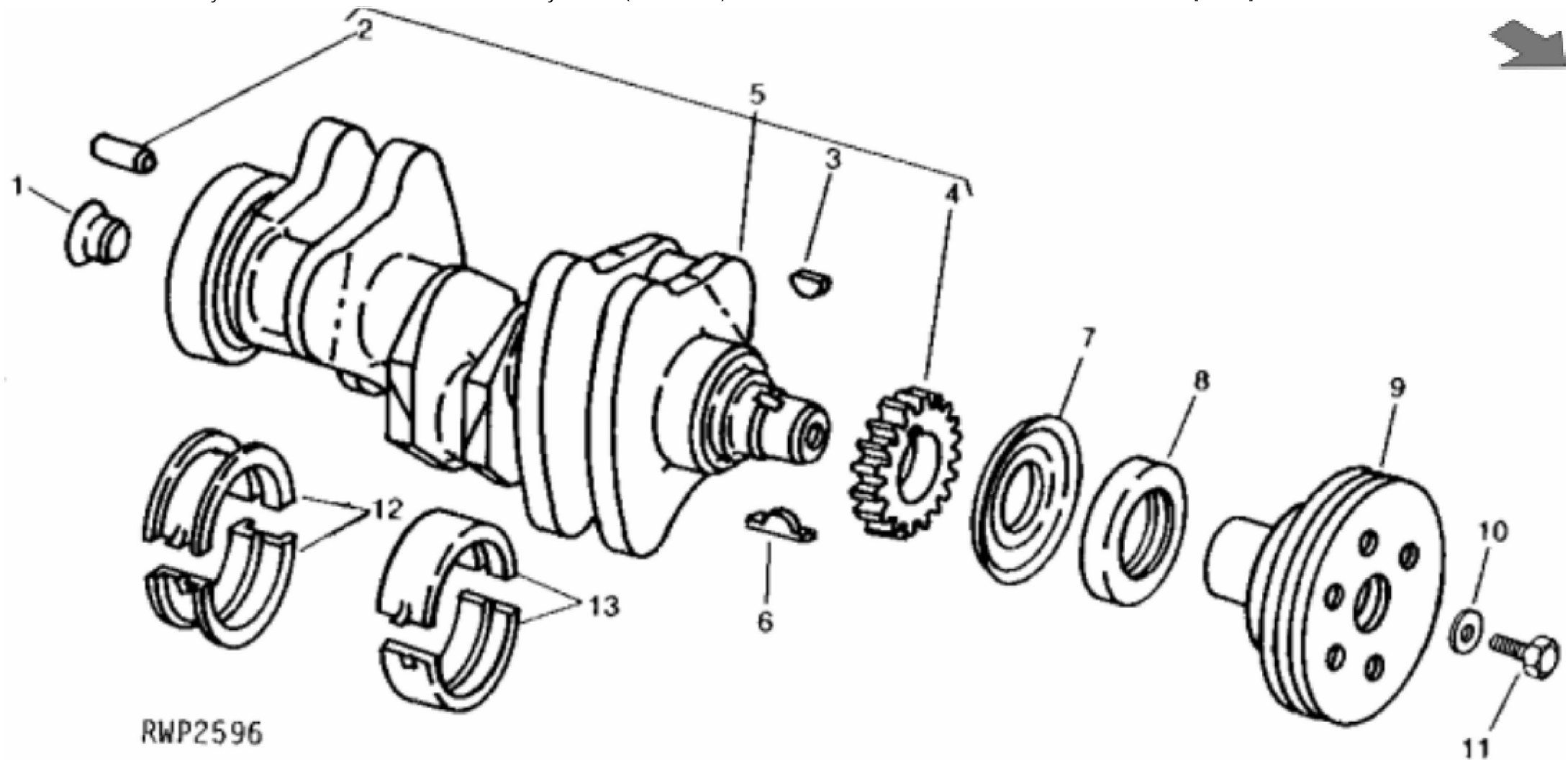
1. 56453

| KEY | PART NO. | PART NAME       | QTY | Engine Serial No. | REMARKS                      |
|-----|----------|-----------------|-----|-------------------|------------------------------|
| 1   | AR55984  | PISTON          | 1   | ____-XXXXXX       | (SUB AR77762)                |
| 1   | AR77762  | PISTON          | 1   | XXXXXX-____       |                              |
| 2   | R51731   | PISTON PIN      | 3   |                   | (SUB R125754)                |
| 3   | U16538   | SNAP RING       | 6   |                   | (SUB FOR M41029)             |
| 4   | AR55759  | PISTON RING KIT | 3   |                   | (SET OF 3 RINGS)             |
| 5   | AR55978  | CONNECTING ROD  | 3   |                   | (SUB RE21076)                |
| 6   | R55647   | BUSHING         | 3   |                   |                              |
| 7   | R74194   | SCREW           | 6   |                   | (SUB FOR T20009)             |
| 7   | R80033   | CAP SCREW       | 6   |                   | (USE WITH RE21076)           |
| 8   | AT21138  | BEARING         | 3   |                   | STD (2 HALVES)               |
| 8   | AT21122  | BEARING         | 3   |                   | 0.05MM (.002") US (2 HALVES) |
| 8   | AT21124  | BEARING         | 3   |                   | 0.25MM (.010") US (2 HALVES) |
| 8   | AT21126  | BEARING         | 3   |                   | 0.50MM (.020") US (2 HALVES) |
| 8   | AT21128  | BEARING         | 3   |                   | 0.76MM (.030") US (2 HALVES) |



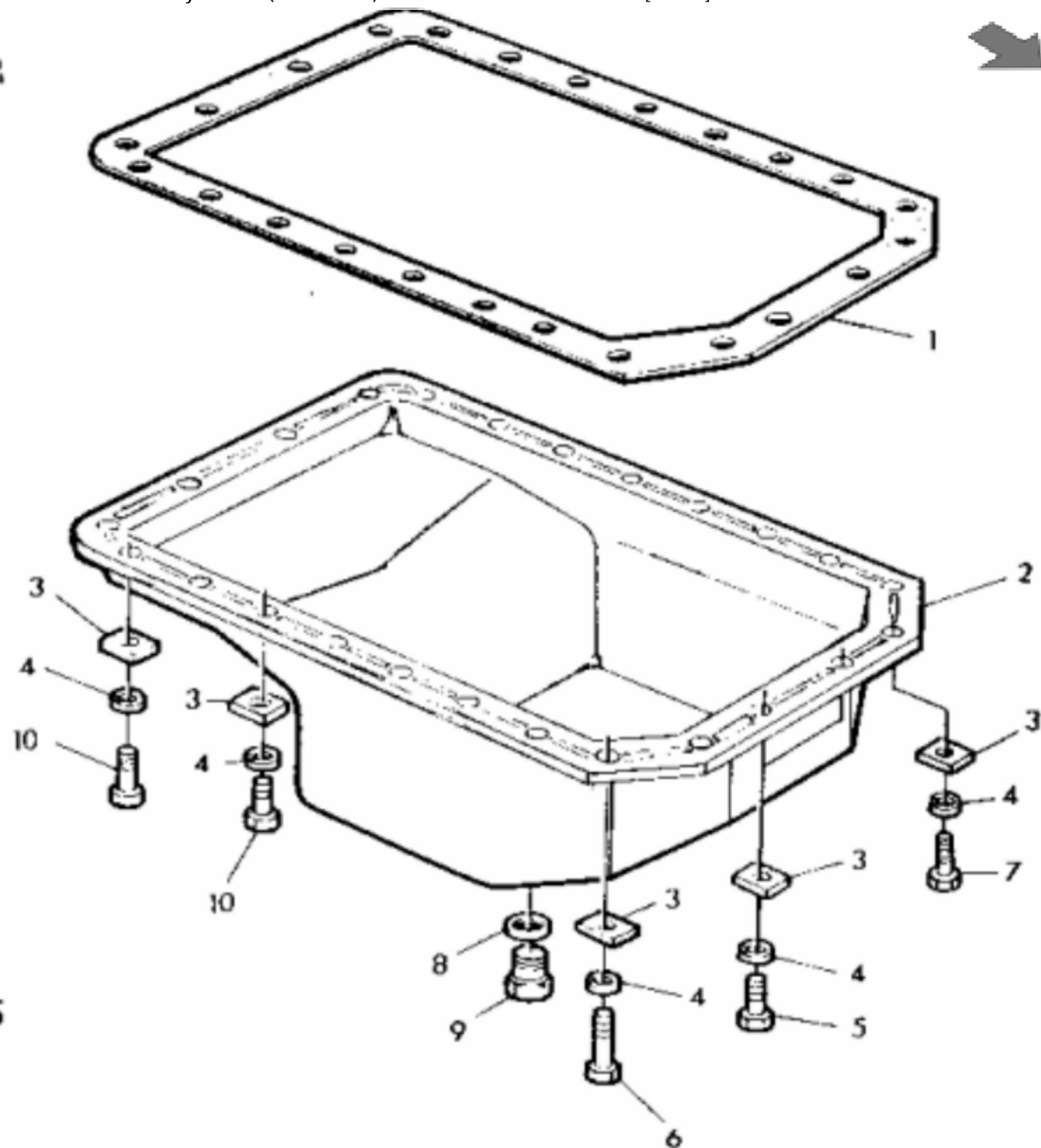
RWP2613

| KEY | PART NO. | PART NAME              | QTY | Engine Serial No. | REMARKS                                   |  |
|-----|----------|------------------------|-----|-------------------|---|--|
| 1   | AR55759  | PISTON RING KIT        | 3   |                   |   |  |
| 2   | AR55984  | PISTON                 | 3   | ____-XXXXXX       | (WITH INSERT) (SUB AR77762)               |  |
| 2   | AR77762  | PISTON                 | 3   | XXXXXX-____       | (WITH INSERT) (MARKED B) STD              |  |
| 2   | AR87736  | PISTON                 | 3   |                   | (WITH INSERT) (MARKED H) HIGH             |  |
| 3   | T32343   | CYLINDER LINER         | 3   |                   |   |  |
| 4   | AR71618  | HYDRAULIC CYLINDER KIT | 3   |                   |   |  |
| 5   | AR71592  | PISTON-LINER KIT       | 3   | ____-XXXXXX       | (SUB AR78041) (INCLUDES AR55984)          |  |
| 5   | AR78041  | PISTON-LINER KIT       | 3   | XXXXXX-____       | (SUB FOR RE19895) (INCLUDES AR77762)      |  |
| 5   | AR90550  | PISTON-LINER KIT       | 3   |                   | HIGH PISTON AND LINER, (INCLUDES AR87736) |  |



RWP2596

| KEY | PART NO. | PART NAME    | QTY | REMARKS                             |
|-----|----------|--------------|-----|-------------------------------------|
| 1   | T20445   | PLUG         | 1   | (WITHOUT REVERSE AND HI-LO)         |
| 2   | T26565   | DOWEL PIN    | 1   |                                     |
| 3   | 26H72    | SHAFT KEY    | 1   | 1/8" X 5/8"                         |
| 4   | T20094   | HELICAL GEAR | 1   |                                     |
| 5   | AT18031  | CRANKSHAFT   | 1   | (SUB RE46896)                       |
| 6   | T23604   | SHAFT KEY    | 1   |                                     |
| 7   | T20046   | OIL SLINGER  | 1   |                                     |
| 8   | AR67942  | SEAL         | 1   |                                     |
| 9   | R59915   | PULLEY       | 1   | (SUB FOR T25366)                    |
| 10  | T20217   | WASHER       | 1   |                                     |
| 11  | 19H1721  | CAP SCREW    | 1   | 1/2" X 1-1/2"                       |
| 12  | AT21139  | BEARING      | 1   | STD (2 HALVES)                      |
| 12  | AT21130  | BEARING      | 1   | 0.05MM (.002") US, REAR (2 HALVES)  |
| 12  | AT21132  | BEARING      | 1   | 0.25MM (.010") US, REAR (2 HALVES)  |
| 12  | AT21134  | BEARING      | 1   | 0.50MM (.020") US, REAR (2 HALVES)  |
| 12  | AT21136  | BEARING      | 1   | 0.76MM (.030") US, REAR (2 HALVES)  |
| 13  | AT21140  | BEARING      | 3   | STD (2 HALVES)                      |
| 13  | AT21108  | BEARING      | 3   | 0.05MM (.002") US, PLAIN (2 HALVES) |
| 13  | AT21110  | BEARING      | 3   | 0.25MM (.010") US, PLAIN (2 HALVES) |
| 13  | AT21112  | BEARING      | 3   | 0.50MM (.020") US, PLAIN (2 HALVES) |
| 13  | AT21114  | BEARING      | 3   | 0.76MM (.030") US, PLAIN (2 HALVES) |



L. 59705

Thank you so much for reading.  
Please click the “Buy Now!”  
button below to download the  
complete manual.



After you pay.

You can download the most  
perfect and complete manual in  
the world immediately.

Our support email:

[ebooklibonline@outlook.com](mailto:ebooklibonline@outlook.com)