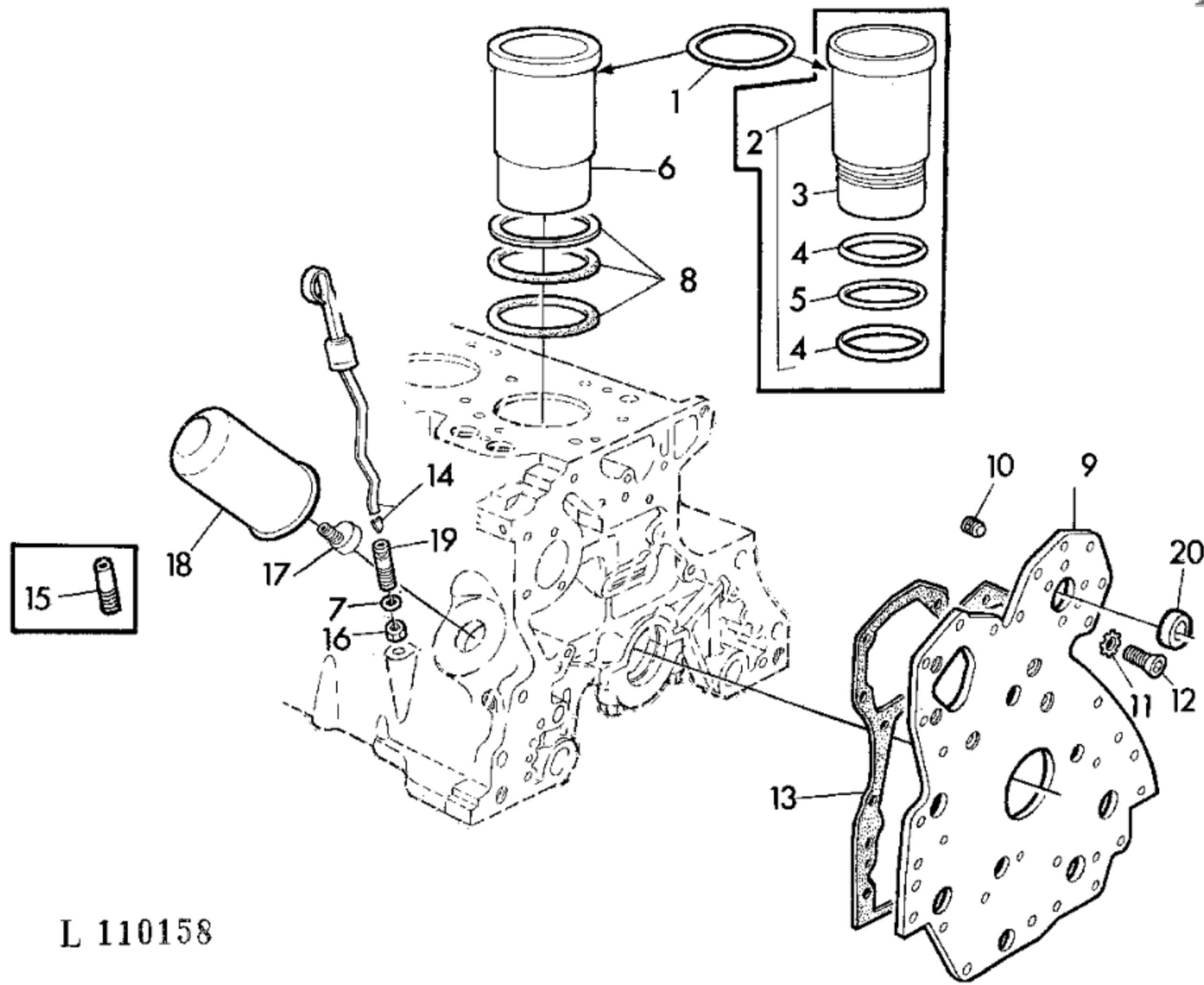


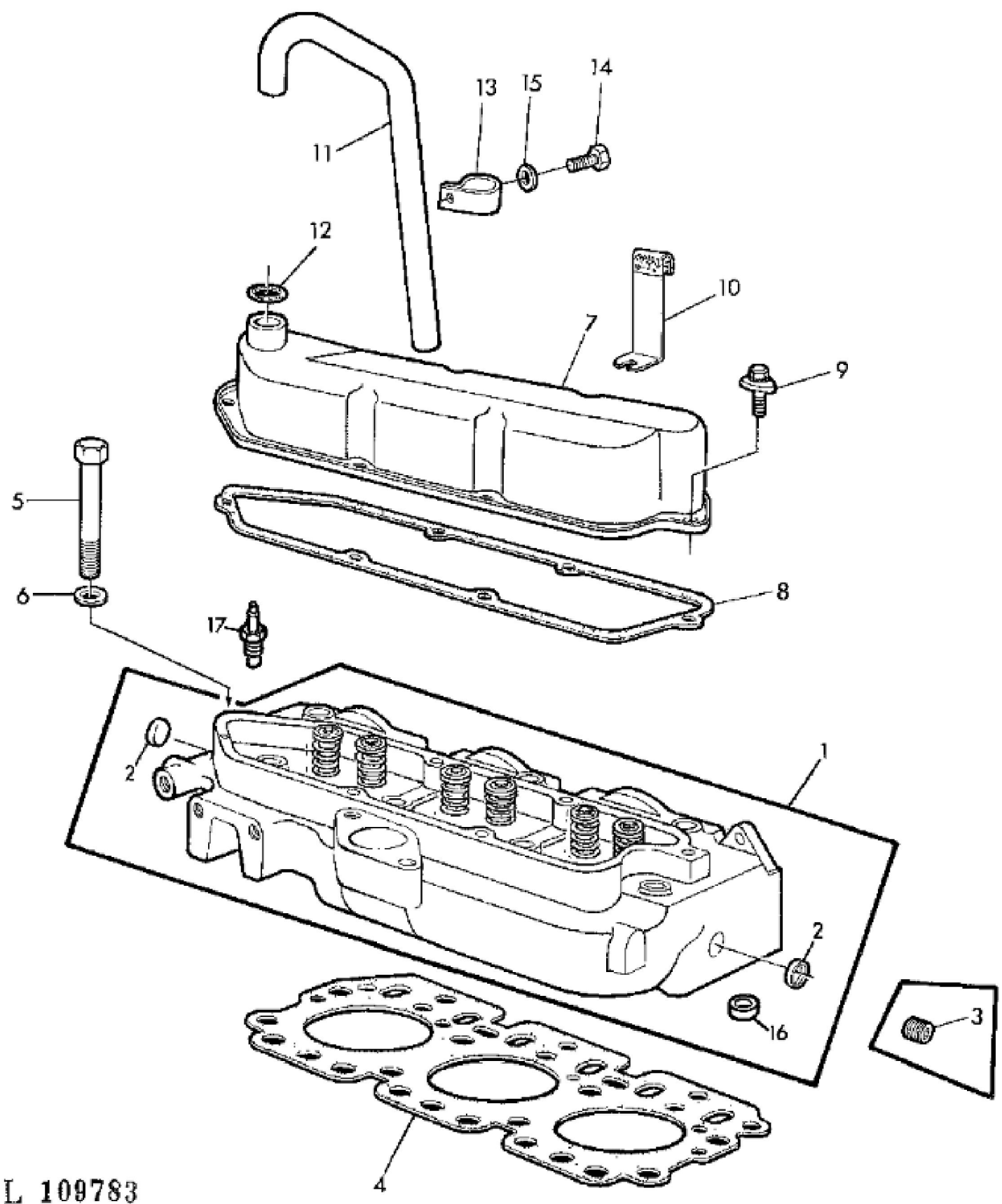
L 110157

KEY	PART NO.	PART NAME	QTY	Engine Serial No.	1020	1120	REMARKS
1	AR97026	CYLINDER BLOCK	AR			X	ASSY,INCL KEYS 1-17
1	AT25293	CYLINDER BLOCK	1	____-037142		X	ASSY (ORD AR97026) (W/ R46625, (14) R53223, R73139, T26321)
1	AT31584	CYLINDER BLOCK	1	037143- 114526		X	ASSY (ORD AR97026) (W/ R46625, (14) R53223, R73139)
1	AR59056	CYLINDER BLOCK	1	114527- ____		X	ASSY (ORD AR97026) (W/ R46625, R73139)
2	T20330	BUSHING	AR		X	X	
3	T33279	STUD	2		X	X	3/8" (SUB FOR T20173)
4	T25701	STUD	1		X	X	3/8"
5	T18991	DRUM	1		X	X	
6	T20168	WASHER	8		X	X	
7	T23474	CAP SCREW	8		X	X	1/2"
8	R26493	BUSHING	1		X	X	
9	T23435	THREADED NIPPLE	1		X	X	
10	A4879R	DOWEL PIN	2		X	X	
11	15H255	PIPE PLUG	1		X	X	3/8" (SUB FOR 15H563)
12	A120R	DOWEL PIN	2		X	X	
13	15H649	PIPE PLUG	1		X	X	3/4"
14	R26241	DOWEL PIN	2		X	X	
15	15H275	PIPE PLUG	1		X	X	1/4"
16	R54802	ORIFICE	AR		X	X	
17	22H932	SET SCREW	AR		X	X	
18	14H812	NUT	3		X	X	3/8"
19	R46625	SPRING	1		X	X	
20	R73139	FLOW CONTROL HYD. VALVE	1		X	X	
21	AT13740	DRAIN VALVE	1		X	X	1/4"
22	24H1303	WASHER	2		X	X	13/32"X11/16"X.060"
23	12H304	LOCK WASHER	1		X	X	3/8"



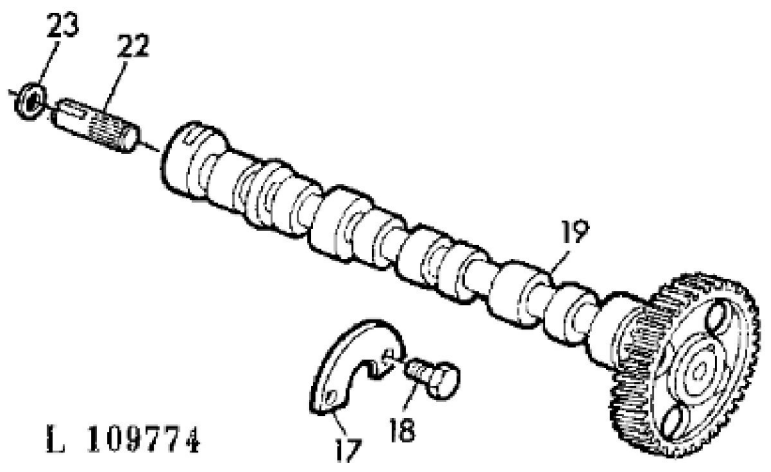
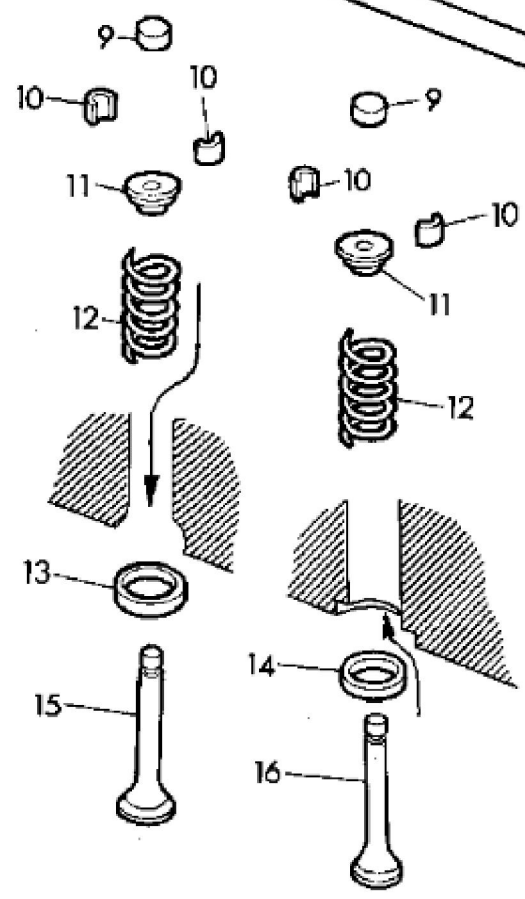
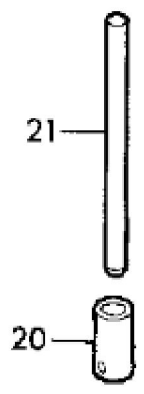
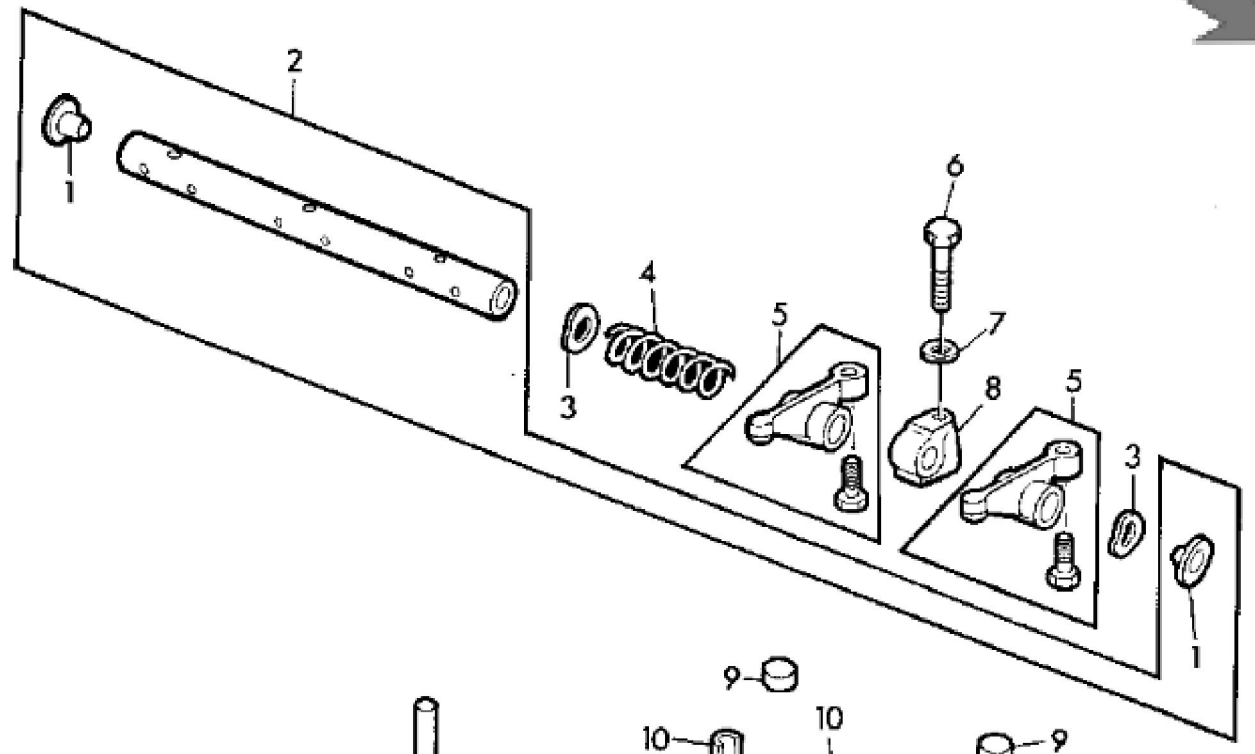
L 110158

KEY	PART NO.	PART NAME	QTY	Engine Serial No.	1020	1120	REMARKS
1	R46905	SHIM	AR	____-085099	X		TK=0,1MM(.004")
1	R46906	SHIM	AR	085100-____	X		TK=0,1MM(.004")
1	R46906	SHIM	AR			X	TK=0,1MM(.004")
2	AR51902	CYLINDER LINER	1	____-074999	X		ASSY,INCL KEYS 3 (W)/(2) R48637, R48638) (SUB FOR T20085)
2	AR51903	CYLINDER LINER	1	____-074999		X	ASSY,INCL KEYS 3 (W)/(2) R48637, T32341)
3	.....	CYLINDER LINER	3	____-074999	X	X	NSEP (ORD AR51902 OR AR51903)
4	R48637	WASHER	2	____-074999	X	X	
5	R48638	O-RING	2	____-074999	X		
5	CD13603	O-RING	AR	____-074999	X		
5	T32341	O-RING	3	____-074999		X	
6	T32340	CYLINDER LINER	3	____-085099	X		(SUB FOR T20085)
6	T32343	CYLINDER LINER	3	085100-____	X		
6	T32343	CYLINDER LINER	3			X	(SUB FOR T26150)
7	R10093	O-RING	1	173967-____	X	X	
8	AR71617	O-RING KIT	3	____-085099	X		KIT (SUB FOR AT31609, DD13275, R48767)
8	AR71618	HYDRAULIC CYLINDER KIT	3	085100-____	X		KIT (SUB FOR AT31610, DD13276, R48768)
8	AR71618	HYDRAULIC CYLINDER KIT	3			X	KIT (SUB FOR AT31610, DD13276, R48768)
9	AT29928	PLATE	1		X	X	ASSY (ORD (8) AT21191, (2) AT22919, R79854, R79863)
9	R79863	PLATE	AR		X	X	
10	AT21191	SET SCREW	8		X	X	5/16" W/ROTO-DIESEL
10	AT22919	SET SCREW	2		X	X	3/8" W/ROTO-DIESEL,R.BOSCH
11	12H324	WASHER	5		X	X	3/8"
12	T20166	SCREW	5		X	X	3/8"X7/8"
13	R73140	GASKET	1		X	X	(SUB FOR T24965)
14	AT21534	DIPSTICK	1		X	X	
15	T24409	THREADED NIPPLE	1	____-173966	X	X	1/2" (ORD R10093, R55299)
16	14H826	NUT	1		X	X	1/2"
17	.....	ADAPTER FITTING	1		X	X	(ORD T23435)
18	T19044	OIL FILTER	1		X	X	
19	R55299	DIPSTICK TUBE	1	173967-____	X	X	
20	R79854	WASHER	AR		X	X	(FOR R79863)



L 109783

KEY	PART NO.	PART NAME	QTY	Engine Serial No.	1020	1120	REMARKS
1	AR70583	CYLINDER HEAD	1		X	X	ASSY,INCL KEY 2,16 (SUB FOR AR70581, AR70582, AT21799)
2	A3910R	PLUG	2		X	X	
3	15H559	PIPE PLUG	1		X	X	1/4"
4	R52789	GASKET	1	____-085099	X		
4	R59447	GASKET	1	085100-____	X		(SUB FOR T20039)
4	R59447	GASKET	1			X	(SUB FOR T20039)
5	T20183	CAP SCREW	14	____-114526	X	X	1/2"X4"
5	R53223	CAP SCREW	14	114527-____	X	X	1/2"X4-1/4"
6	T20168	WASHER	14		X	X	
7	AT18016	VALVE COVER	1		X	X	
8	R75729	GASKET	AR		X	X	
8	T20111	GASKET	1		X	X	(ORD R75729) (W/ (12) AR100124)
9	AR100124	SCREW WITH WASHER	6		X	X	(SUB FOR AR27702, AR45530)
10	T24151	CLAMP	1		X	X	
11	T20074	TUBE	1		X	X	
12	R56463	O-RING	1		X	X	(SUB FOR R495R APPL)
13	R40791	CLAMP	1		X	X	(SUB FOR A4656R)
14	19H1813	CAP SCREW	1		X	X	5/16"X5/8"
15	24H1685	WASHER	1		X	X	11/32"X3/4"X.075"
16	CD13979	VALVE SEAT INSERT	3		X	X	
17	AL24527	SENDER	1		X	X	



L 109774

Thank you so much for reading.  
Please click the “Buy Now!”  
button below to download the  
complete manual.



After you pay.

You can download the most  
perfect and complete manual in  
the world immediately.

Our support email:

[ebooklibonline@outlook.com](mailto:ebooklibonline@outlook.com)