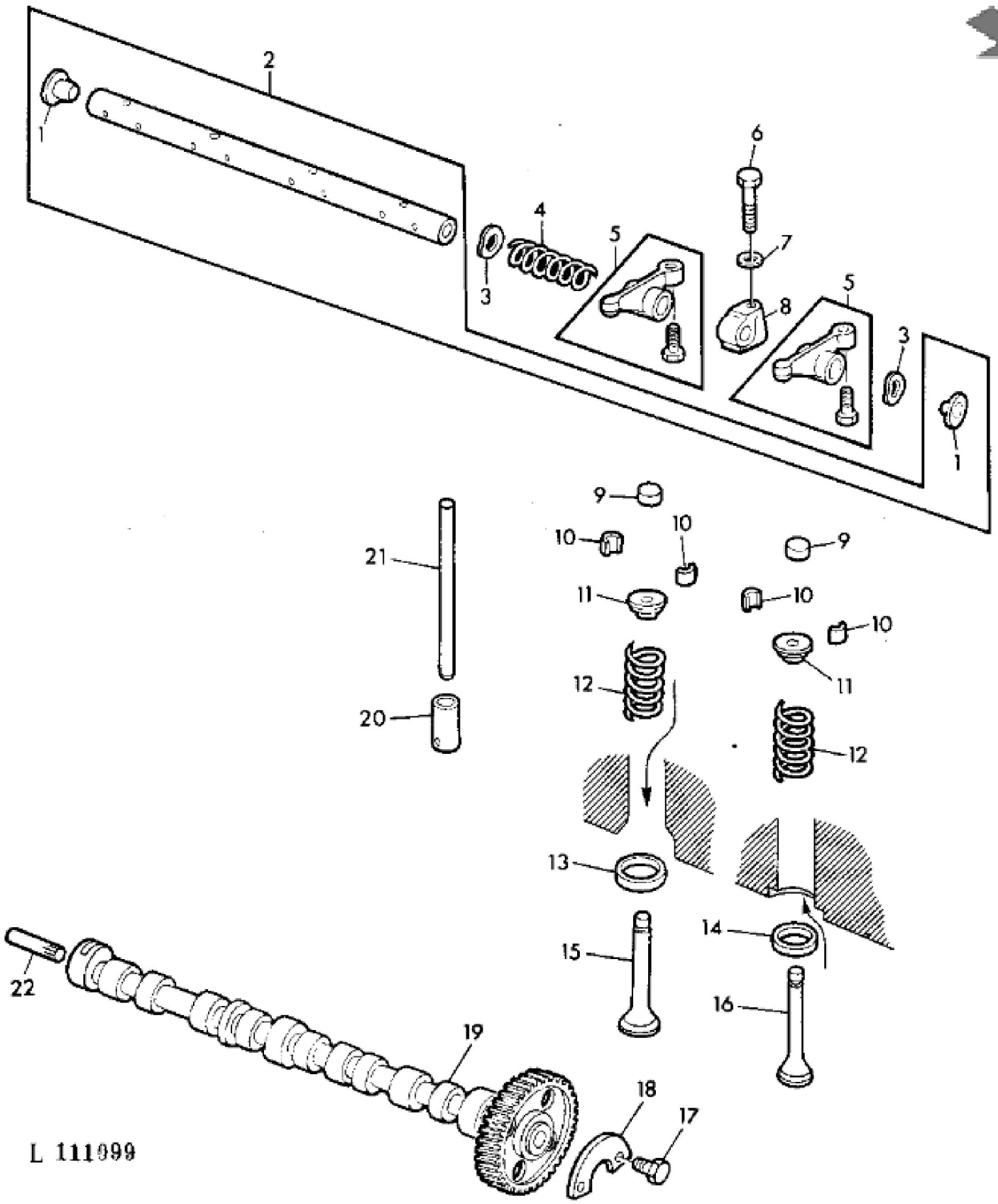


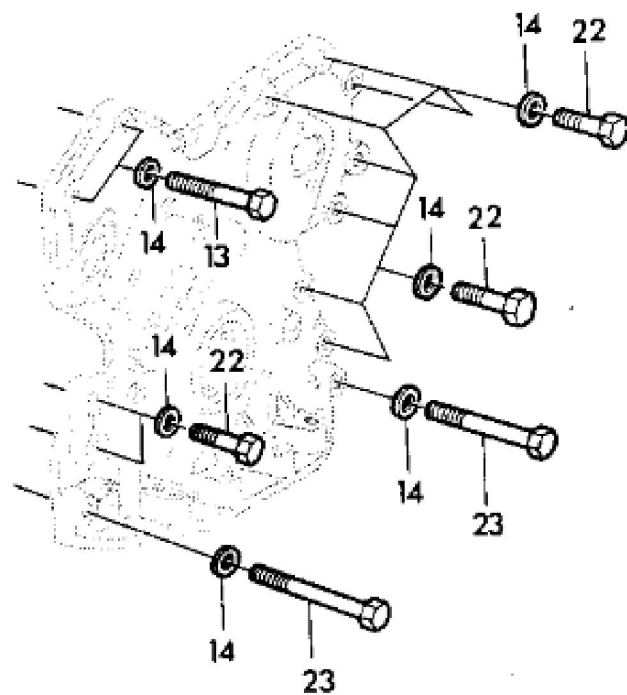
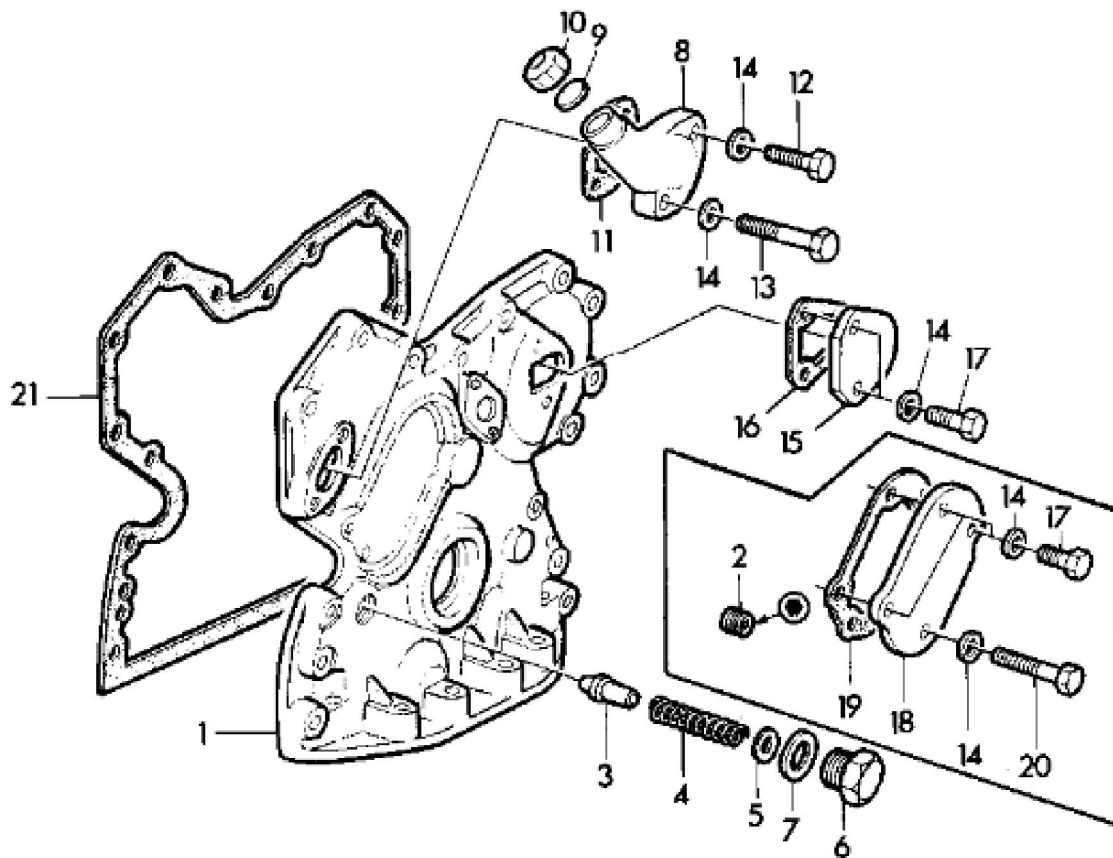
L 111998

KEY	PART NO.	PART NAME	QTY	Engine Serial No.	2020	2120	REMARKS
1	AR70589	CYLINDER HEAD	1		X	X	ASSY (SUB FOR AR61346, AT21801)
2	A3910R	PLUG	2		X	X	
3	R59448	GASKET	1		X	X	(SUB FOR T20040)
4	T20183	CAP SCREW	18	____-115419	X	X	1/2"X4"
4	R53223	CAP SCREW	18	115420-____	X	X	1/2"X4-1/4" (W/ DD12095)
5	T20168	WASHER	18		X	X	
6	AT18015	VALVE COVER	1		X	X	
7	R73521	GASKET	1		X	X	(ORD W/ (8) AR100124) (SUB FOR T20075)
8	AR100124	SCREW WITH WASHER	8		X	X	(SUB FOR AR27702, AR45530)
9	T24151	CLAMP	1		X	X	
10	T20074	TUBE	1		X	X	
11	R56463	O-RING	1		X	X	(SUB FOR R495R, APPL)
12	R40791	CLAMP	1		X	X	(SUB FOR A4656R)
13	19H1813	CAP SCREW	1		X	X	5/16"X5/8"
14	24H1685	WASHER	1		X	X	11/32"X3/4"X.075"
15	CD13979	VALVE SEAT INSERT	4		X	X	
16	15H559	PIPE PLUG	1		X	X	1/4"
17	AL24527	SENDER	1		X	X	



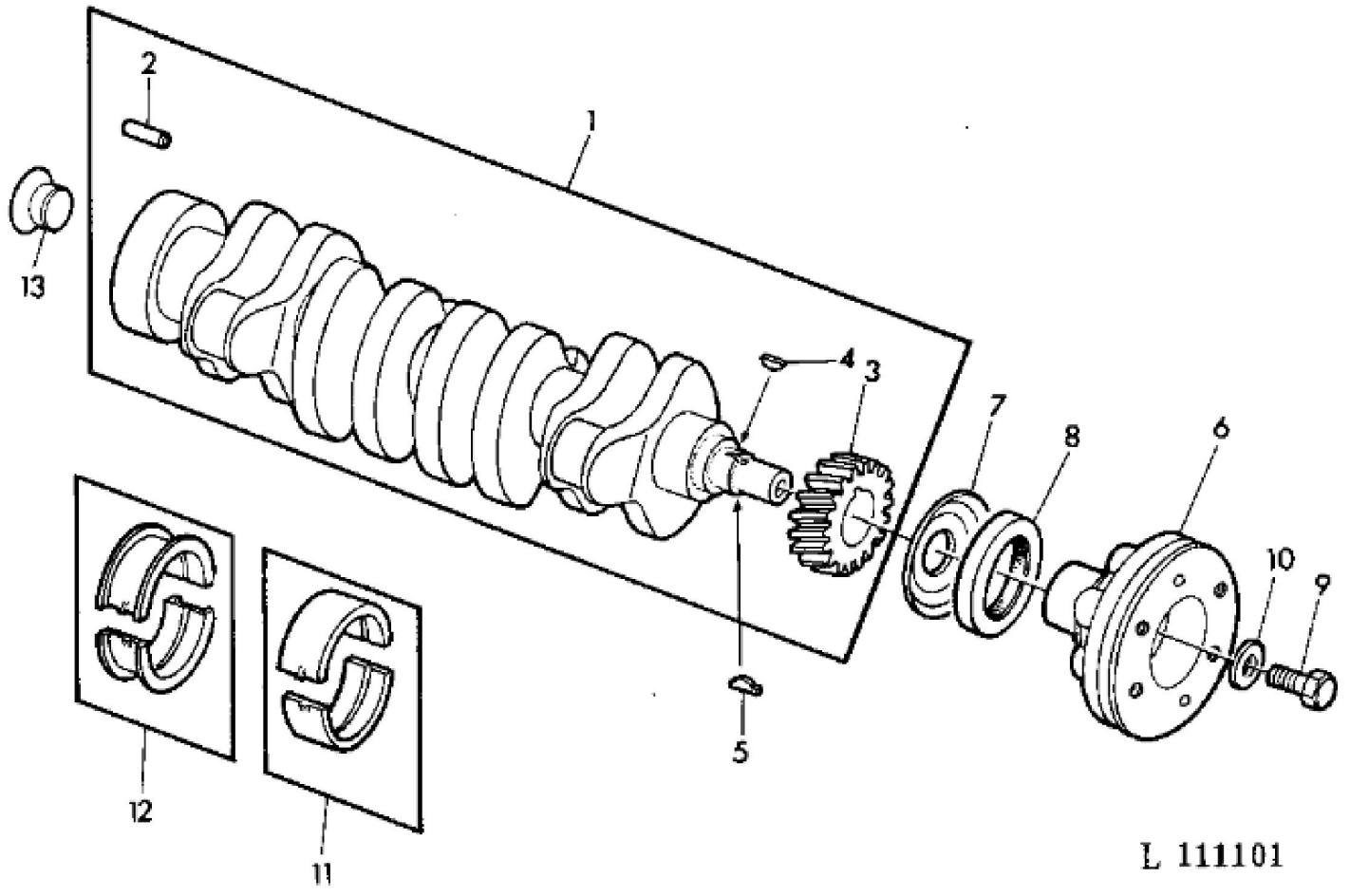
L 111099

KEY	PART NO.	PART NAME	QTY	Engine Serial No.	2020	2120	REMARKS	
1	T23469	PLUG	2	____-115419	X			
1	R54565	PLUG	2		X	X	(W/ DD12120)	
2	DD12120	ROCKER ARM SHAFT	1		X	X	ASSY	
3	T20316	WASHER	2		X	X		
4	T20314	SPRING	3		X	X		
5	AT31250	ROCKER ARM	8		X	X		
6	19H1733	CAP SCREW	4		X	X	3/8"X2-1/2"	
7	R42729	WASHER	4		X	X	(SUB FOR T23594)	
8	T20315	SUPPORT	4		X	X		
9	T20129	CAP	8		X	X		
10	T20077	RETAINER	16		X	X		
11	T20176	RETAINER	8		X	X		
12	R26125	SPRING	8		X	X		
13	CD14725	VALVE SEAT INSERT	AR		X	X		
14	CD13979	VALVE SEAT INSERT	4		X	X		
15	R52251	INTAKE VALVE	4		X	X	OD=STANDARD (SUB FOR T20174)	
15	R57332	INTAKE VALVE	AR		X	X	OD=+0,076MM(.003") (SUB FOR T23546)	
15	R57336	INTAKE VALVE	AR		X	X	OD=+0,762MM(.030") (SUB FOR R57334, T23548)	
16	R52252	EXHAUST VALVE	4		X	X	OD=STANDARD (SUB FOR T20175)	
16	R57333	EXHAUST VALVE	AR		X	X	OD=+0,076MM(.003") (SUB FOR T23549)	
16	R57337	EXHAUST VALVE	AR		X	X	OD=+0,762MM(.030") (SUB FOR R57335, T23551)	
17	19H1731	CAP SCREW	2		X	X	3/8"X1"	
18	T20072	PLATE	1		X	X		
19	AR79623	CAMSHAFT	1		X	X	ASSY (SUB FOR AT18051, DD12096, T20070)	
20	T20073	TAPPET	8		X	X		
21	T20310	PIN	8		X	X		
22	T20071	DRIVE SHAFT	1		X	X		



L 111100

KEY	PART NO.	PART NAME	QTY	Engine Serial No.	2020	2120	REMARKS	
1	AR97707	COVER	1		X	X	(SUB FOR AT19509)	
2	15H275	PIPE PLUG	1		X	X	1/4" (FOR AT19509)	
3	R51516	VALVE	1		X	X	(SUB FOR T20067)	
4	T20303	SPRING	1	____-027270	X			
4	T24964	SPRING	1	027271- 042640	X		(ORD R51516, T27657, T27658)	
4	T27658	SPRING	1	042641-____	X			
4	T27658	SPRING	1			X		
5	24H1290	WASHER	AR		X	X	21/64"X3/4"X.036"	
6	T20069	CAP SCREW	1	____-042640	X		(ORD R51516, T27657, T27658)	
6	T27657	FITTING PLUG	1	042641-____	X			
6	T27657	FITTING PLUG	1			X		
7	A4827R	WASHER	1		X	X		
8	T23614	FILLER NECK	1		X	X	(ORD R80135, R80136, R80137)	
8	R80137	FILLER NECK	AR		X	X		
9	T20328	GASKET	1		X	X	(FOR T23614)	
9	R80135	GASKET	1		X	X	(FOR R80137)	
10	T20294	CAP	1		X	X	(FOR T23614)	
10	R80136	FILLER CAP	1		X	X	(FOR R80137)	
11	T20336	GASKET	1		X	X		
12	19H2665	CAP SCREW	1		X	X	3/8"X1-5/8"	
13	19H2128	CAP SCREW	3		X	X	3/8"X3"	
14	24H1304	WASHER	21		X	X	13/32"X23/32"X.120"	
15	T20362	COVER	1		X	X		
16	R69260	GASKET	1		X	X	(SUB FOR T20364)	
17	19H2284	CAP SCREW	5		X	X	3/8"X7/8" (FOR AT19509)	
18	T20272	COVER	1		X	X	(FOR AT19509)	
19	T20273	GASKET	1		X	X	(FOR AT19509)	
20	19H1726	CAP SCREW	1		X	X	3/8"X2-1/4" (FOR AT19509)	
21	T20155	GASKET	1		X	X		
22	19H1801	CAP SCREW	9		X	X	3/8"X2"	
23	19H1733	CAP SCREW	2		X	X	3/8"X2-1/2"	



L 111101

Thank you so much for reading.  
Please click the “Buy Now!”  
button below to download the  
complete manual.



After you pay.

You can download the most  
perfect and complete manual in  
the world immediately.

Our support email:

[ebooklibonline@outlook.com](mailto:ebooklibonline@outlook.com)