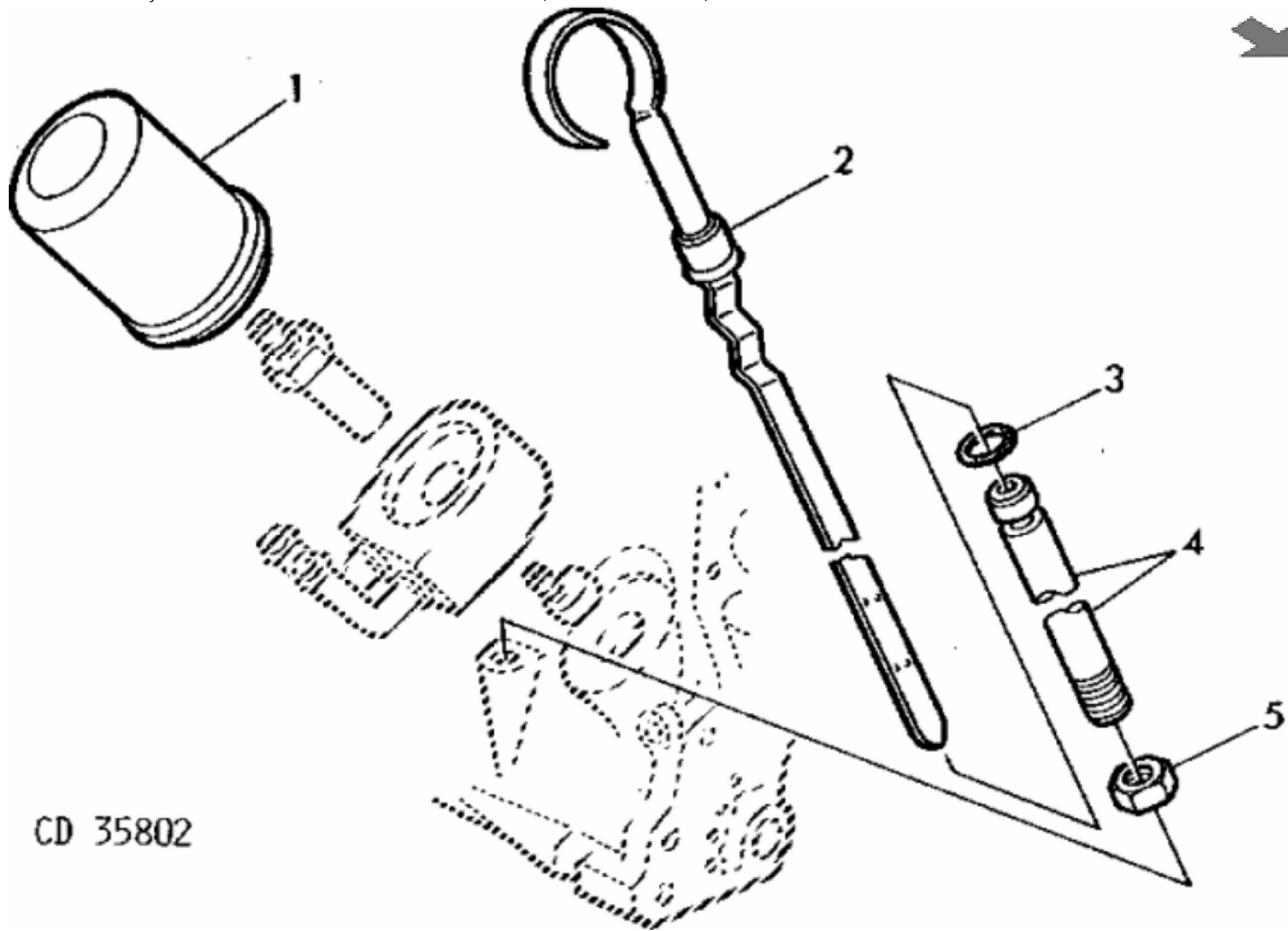


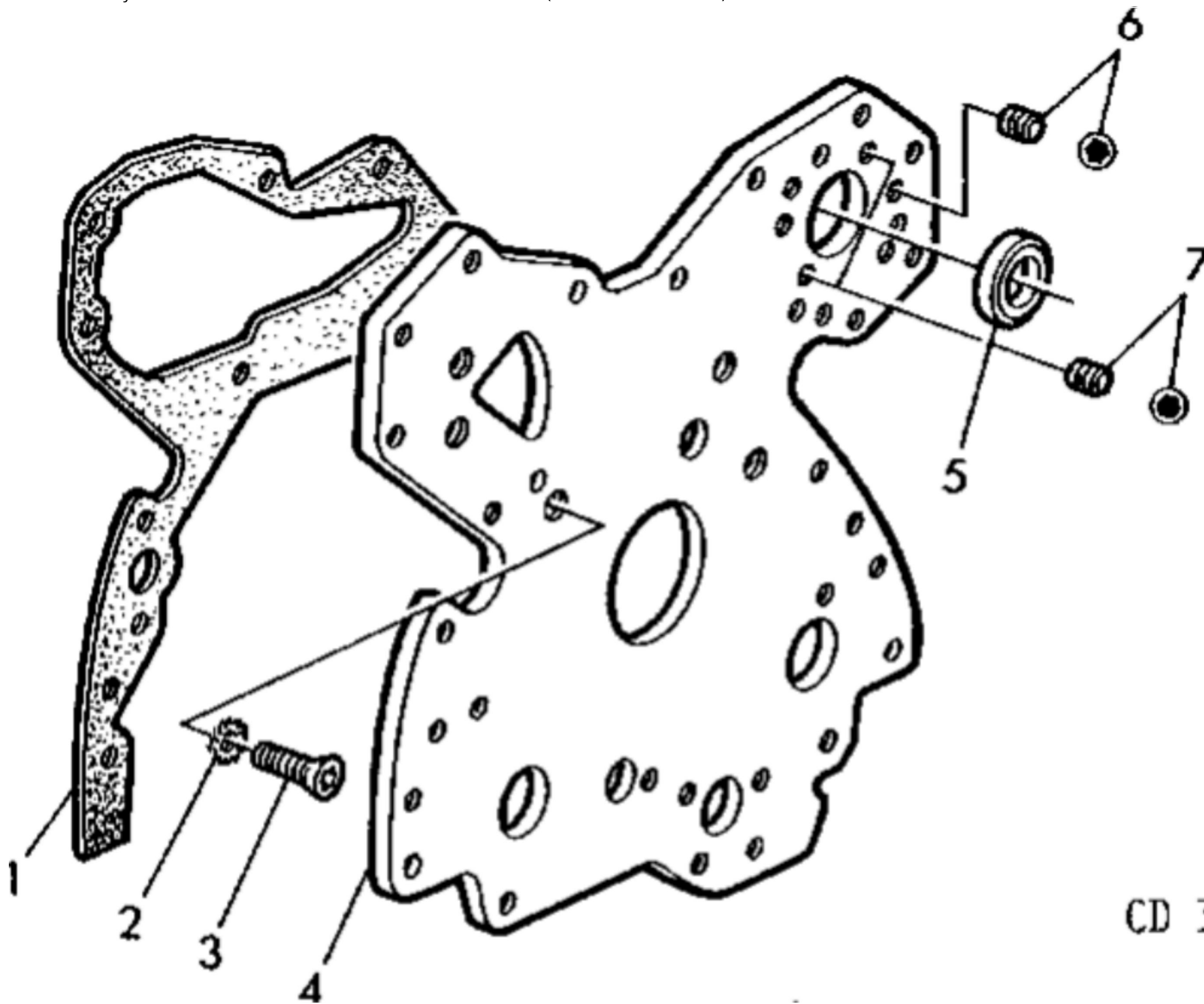
CD 35 506

KEY	PART NO.	PART NAME	QTY	2150	2255	REMARKS
1	AR97201	CYLINDER BLOCK	1	X	X	(MARKED R72962) (ORDER RE68302, RE57836 (14) R85363)
1	RE68302	CYLINDER BLOCK	AR	X	X	(MARKED R130874) (SUB FOR RE29217)
2	RE57836	PIPE PLUG	AR	X	X	1/2", (SUB FOR 15H624)
3	15H275	PIPE PLUG	1	X	X	1/4"
4	RE507807	PIPE PLUG	1	X	X	1/4", THREADS WITH PRE-APPLIED SEALANT,SUB FOR R55233,THIS APPLICATION)
5	R104592	PIPE PLUG	4	X	X	1/8", (SUB FOR 15H558)
6	15H690	PIPE PLUG	AR	X	X	3/4", (SUB FOR 15H665)
6	15H562	PIPE PLUG	AR	X	X	1"
7	R48685	DOWEL PIN	2	X	X	(SUB FOR A120R)
8	R79089	CAP	1	X	X	
9	T20168	WASHER	2	X	X	
10	T23474	CAP SCREW	2	X	X	
11	AT13740	DRAIN VALVE	AR	X	X	



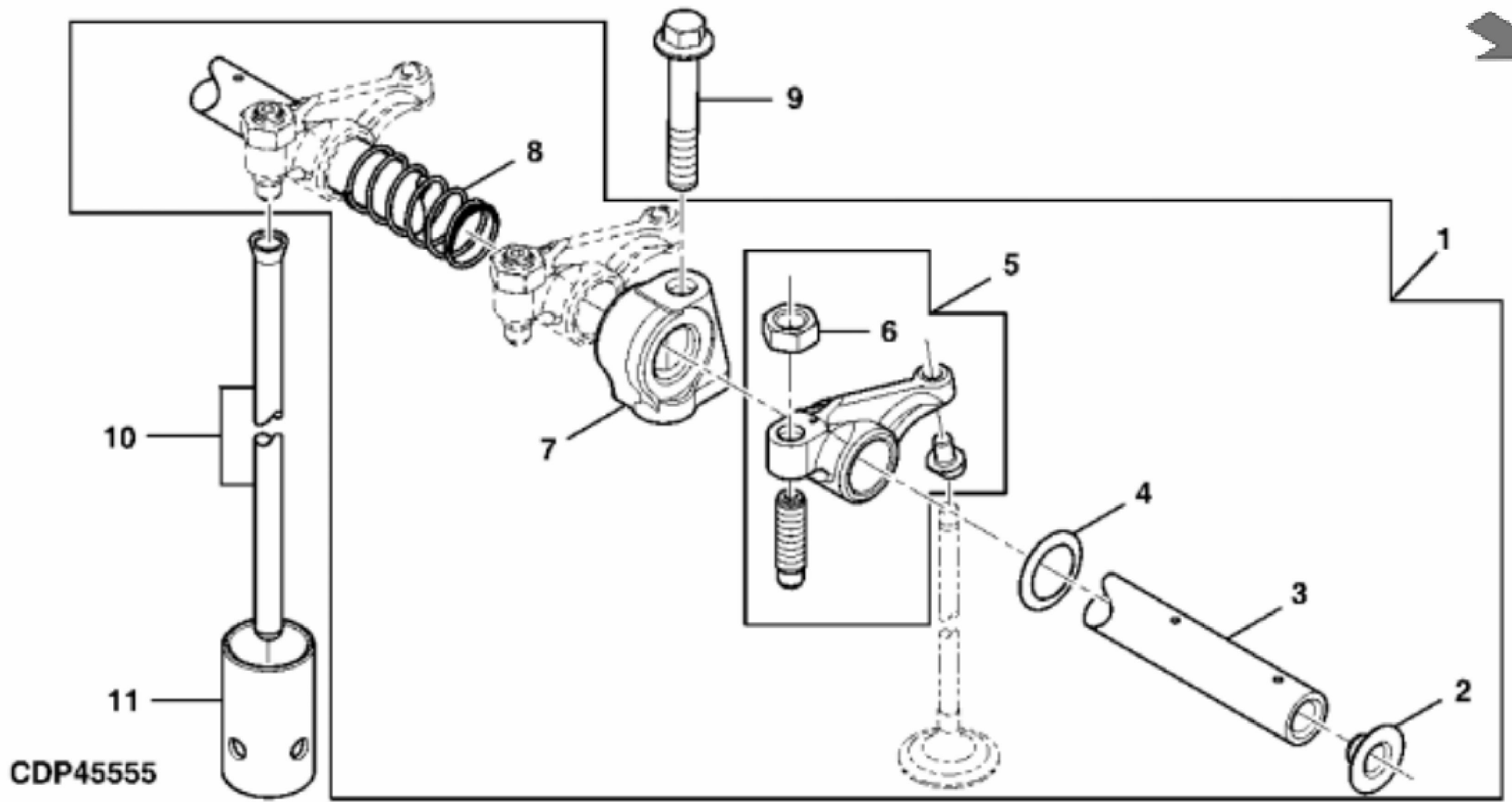
CD 35802

KEY	PART NO.	PART NAME	QTY	2150	2255	REMARKS	
1	T19044	OIL FILTER	1	X	X		
2	AT21534	DIPSTICK	1	X	X	LGTH= 270MM (10.63"), (FOR R65283)	
3	R10093	O-RING	1	X	X		
4	R65283	THREADED NIPPLE	1	X	X	LGTH= 85MM (3.34"), (FOR AT21534)	
5	14H826	NUT	1	X	X	1/2"	



CD 35803

KEY	PART NO.	PART NAME	QTY	2150	2255	REMARKS	
1	R131794	GASKET	1	X	X	(SUB FOR R73140, R90648)	
2	12H324	WASHER	5	X	X	3/8"	
3	R501068	BOLT	5	X	X	(SUB FOR T20166,THIS APPLICATION)	
4	RE16149	PLATE	1	X	X	(ALSO ORDER (8) AT21191AND(2) AT22919)	
5	R79854	BUSHING	AR	X	X		
6	AT21191	SET SCREW	8	X	X		
7	AT22919	SET SCREW	2	X	X		



CDP45555

Thank you so much for reading.
Please click the “Buy Now!”
button below to download the
complete manual.



After you pay.

You can download the most
perfect and complete manual in
the world immediately.

Our support email:

ebooklibonline@outlook.com