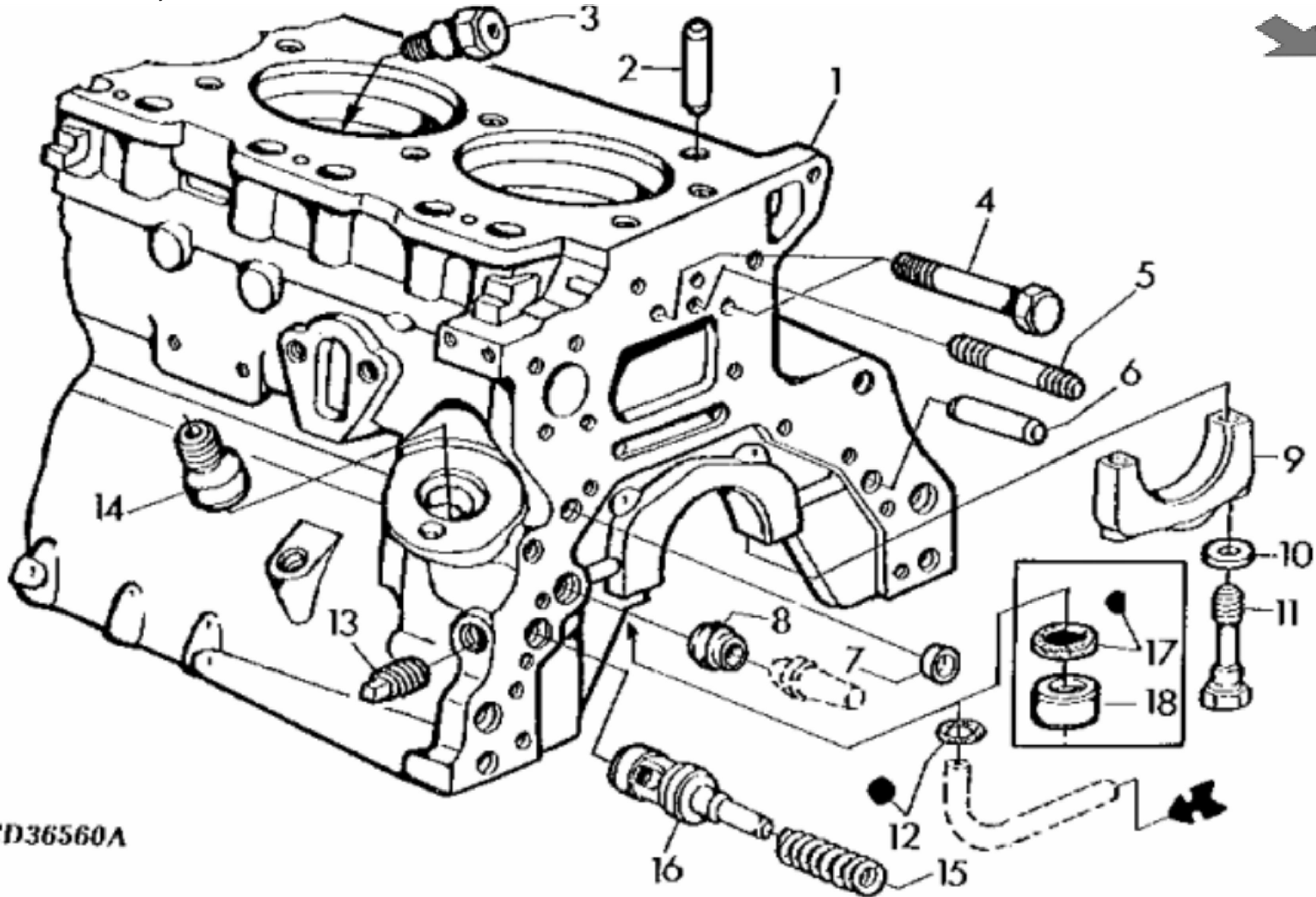


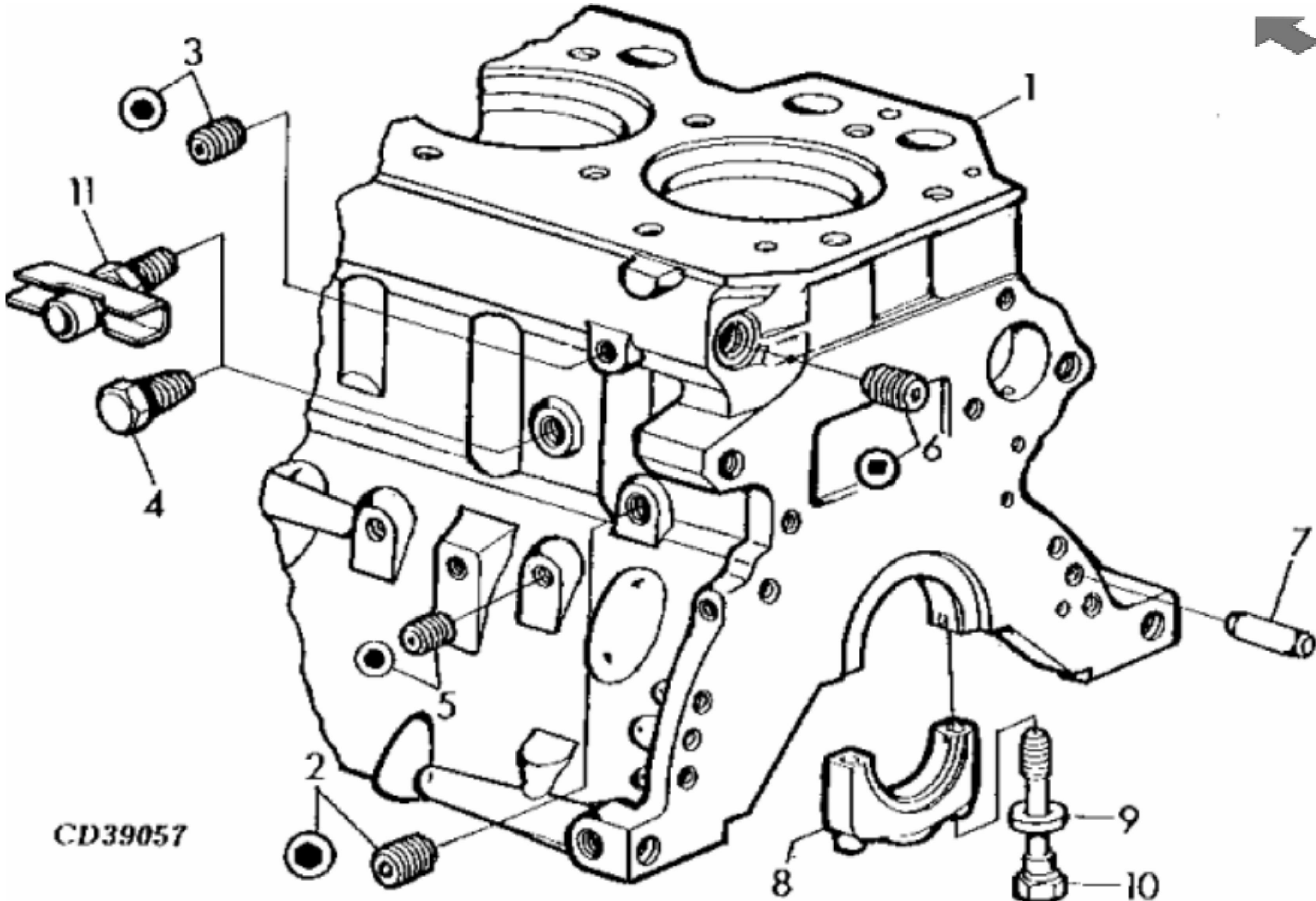
CD35400A

KEY	PART NO.	PART NAME	QTY	Engine Serial No.	2155	2355N	REMARKS	
1	RE51923	SHORT BLOCK ASSEMBLY	AR	____-741897	X		(EQUIPPED WITH CRANKSHAFT MARKED R100142) (ORD RE69874, (14) R85363) (SUB FOR RE16813) FOR 3179DL017 AND 3179DL001	
1	RE51923	SHORT BLOCK ASSEMBLY	AR	741898- 743474	X		(EQUIPPED WITH CRANKSHAFT MARKED R100142) (ORD RE69874) (SUB FOR RE29218), FOR 3179DL017	
1	RE51924	SHORT BLOCK ASSEMBLY	AR	743475-____	X		(EQUIPPED WITH CRANKSHAFT MARKED R101223) (ORD RE70898) (SUB FOR RE32230), FOR 3179DL017	
1	RE51923	SHORT BLOCK ASSEMBLY	AR	741898- 751023	X		(EQUIPPED WITH CRANKSHAFT MARKED R100142) (ORD RE69874) (SUB FOR RE29218) FOR 3179DL001	
1	RE51924	SHORT BLOCK ASSEMBLY	AR	751024-____	X		(EQUIPPED WITH CRANKSHAFT MARKED R101223) (ORD RE70898) (SUB FOR RE32230) FOR 3179DL001	
1	RE70900	SHORT BLOCK ASSEMBLY	AR			X	(EQUIPPED WITH CRANKSHAFT MARKED R101223) (SUB FOR RE51926) (SUB FOR RE32231) FOR 3179TL002 AND 3179TL003	
2	R46625	SPRING	1		X	X	LGTH= 59MM, (FOR R73139), OR (ORD RE63673)	
2	SPRING	1		X	X	LGTH= 51MM, NSEP, (ORD RE63674)	
3	R73139	FLOW CONTROL HYD. VALVE	1		X	X	LGTH= 49.5MM, (FOR R46625), OR (ORD RE63673)	
3	FLOW CONTROL HYD. VALVE	1		X	X	LGTH= 40.5MM, NSEP, (ORD RE63674)	
4	RE63673	VALVE	1		X	X	(INCLUDES R46625 AND R73139)	
4	RE63674	VALVE	1		X	X	KIT	



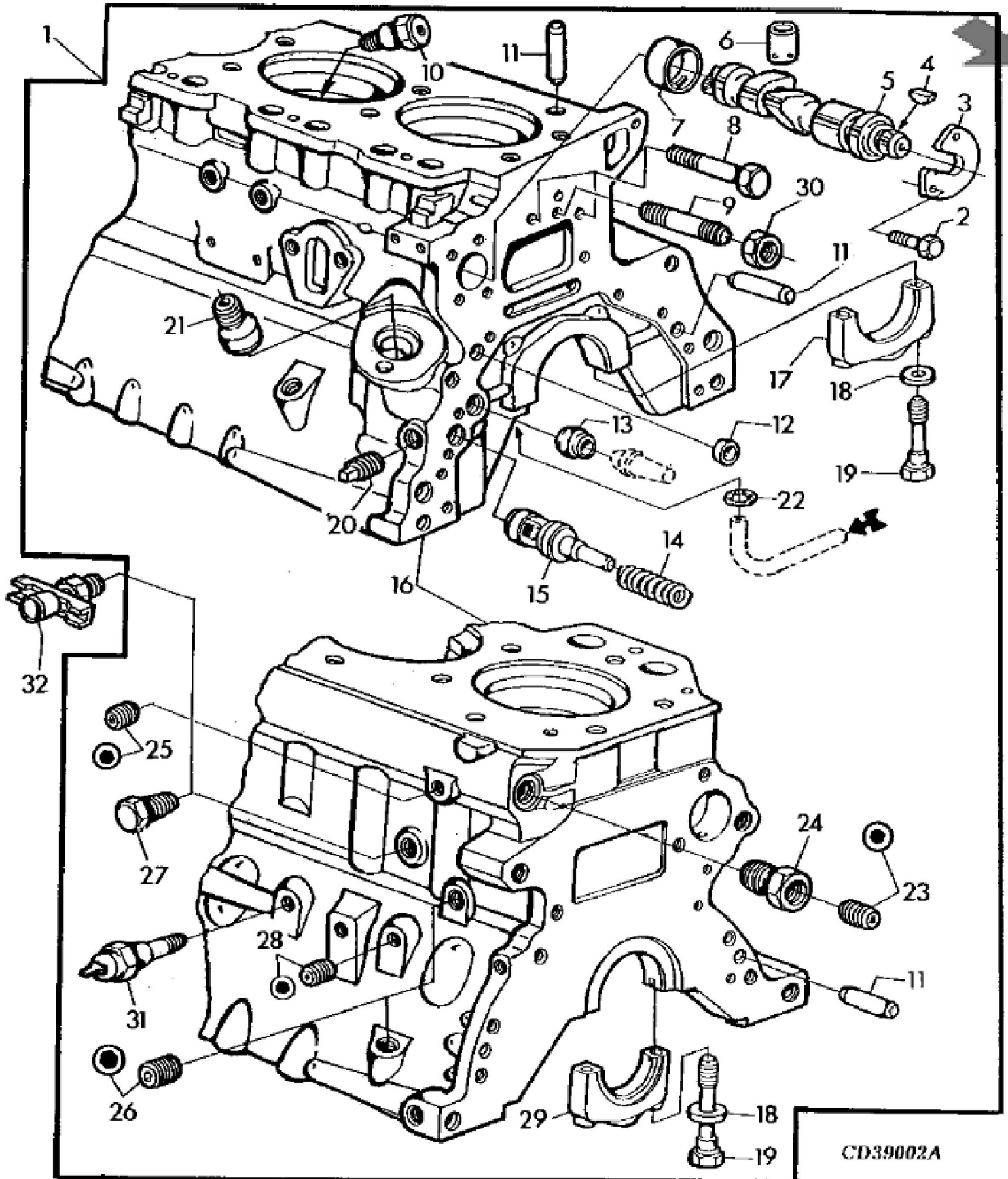
CD36560A

KEY	PART NO.	PART NAME	QTY	Engine Serial No.	2155	2355N	REMARKS
1	AR97201	CYLINDER BLOCK	1	____-741897	X		(MARKED R72962) (ORD RE68302, (14) R85363)
1	RE29217	CYLINDER BLOCK	1	741898-____	X		(ORD RE68302) (MARKED R89834, OR CD16355, OR R108740, OR R115223, OR CD16435)
1	RE29217	CYLINDER BLOCK	1			X	(ORD RE68302) (MARKED R89834, OR CD16355, OR R108740, OR R115223, OR CD16435)
2	R48685	DOWEL PIN	2		X	X	(SUB FOR R26241, A120R)
3	R54802	ORIFICE	3		X	X	
4	19H1726	CAP SCREW	1	831647-____	X	X	3/8" X 2-1/4"
5	T25701	STUD	1	____-729358	X	X	3/8"-16NC X 3/8"-16UNC, LGTH= 55.5MM, (2.180"), (ORD R130883 AND 14H1076)
5	R130883	STUD	1	729359-____	X	X	3/8"-16NC X 3/8"-16UNC, (USE WITH 14H1076) (SUB FOR R108588 3/8"-16NC X 3/8"-24UNF (FOR 14H774))
6	R26650	DOWEL PIN	2		X	X	(SUB FOR A4879R)
7	T18891	PLUG	1		X	X	
8	R26493	BUSHING	1		X	X	
9	R65215	BEARING CAP	3		X	X	
10	R32214	WASHER	6		X	X	(SUB FOR T20168)
11	T23474	CAP SCREW	6		X	X	
12	R97185	O-RING	1		X	X	
13	15H623	PIPE PLUG	1		X	X	3/8"
14	T23435	THREADED NIPPLE	1		X	X	
15	R46625	SPRING	1		X	X	LGTH= 59MM (2.32"), (FOR R73139)
15	R111137	SPRING	1		X	X	LGTH= 51MM (2"), (FOR R111135)
16	R73139	FLOW CONTROL HYD. VALVE	1		X	X	LGTH= 49MM (1.94"), (FOR R46625)
16	R111135	VALVE	1		X	X	LGTH= 41MM (1.61"), (FOR R111137)
17	R75892	O-RING	1		X	X	(FOR R75893)
18	R75893	FITTING	1		X	X	(FOR R75892)



CD39057

KEY	PART NO.	PART NAME	QTY	Engine Serial No.	2155	2355N	REMARKS
1	AR97201	CYLINDER BLOCK	1	____-741897	X		(MARKED R72962) (ORD RE68302)
1	RE29217	CYLINDER BLOCK	1	741898-____	X		(MARKED R89834 OR CD16355 OR R108740 OR R115223 OR CD16435) (ORD RE68302)
1	RE29217	CYLINDER BLOCK	1			X	(MARKED R89834 OR CD16355 OR R108740 OR R115223 OR CD16435) (ORD RE68302)
2	RE57836	PIPE PLUG	AR		X	X	1/2"-14NPT, (SUB FOR 15H624)
3	15H275	PIPE PLUG	1		X	X	1/4"
4	RE507807	PIPE PLUG	1		X	X	1/4", THREADS WITH PRE-APPLIED SEALANT, (SUB FOR R55233, THIS APPLICATION)
5	R104592	PIPE PLUG	4		X	X	1/8"-27NPT, (SUB FOR 15H558, R119392)
6	15H690	PIPE PLUG	1	____-851910	X	X	3/4", (SUB FOR 15H665)
6	15H562	PIPE PLUG	1	851911-____	X	X	1"
7	R48685	DOWEL PIN	2		X	X	(SUB FOR A120R)
8	R79089	CAP	1		X	X	
9	R32214	WASHER	2		X	X	(SUB FOR T20168)
10	T23474	CAP SCREW	2		X	X	
11	AT13740	DRAIN VALVE	AR		X	X	



Thank you so much for reading.
Please click the “Buy Now!”
button below to download the
complete manual.



After you pay.

You can download the most
perfect and complete manual in
the world immediately.

Our support email:

ebooklibonline@outlook.com