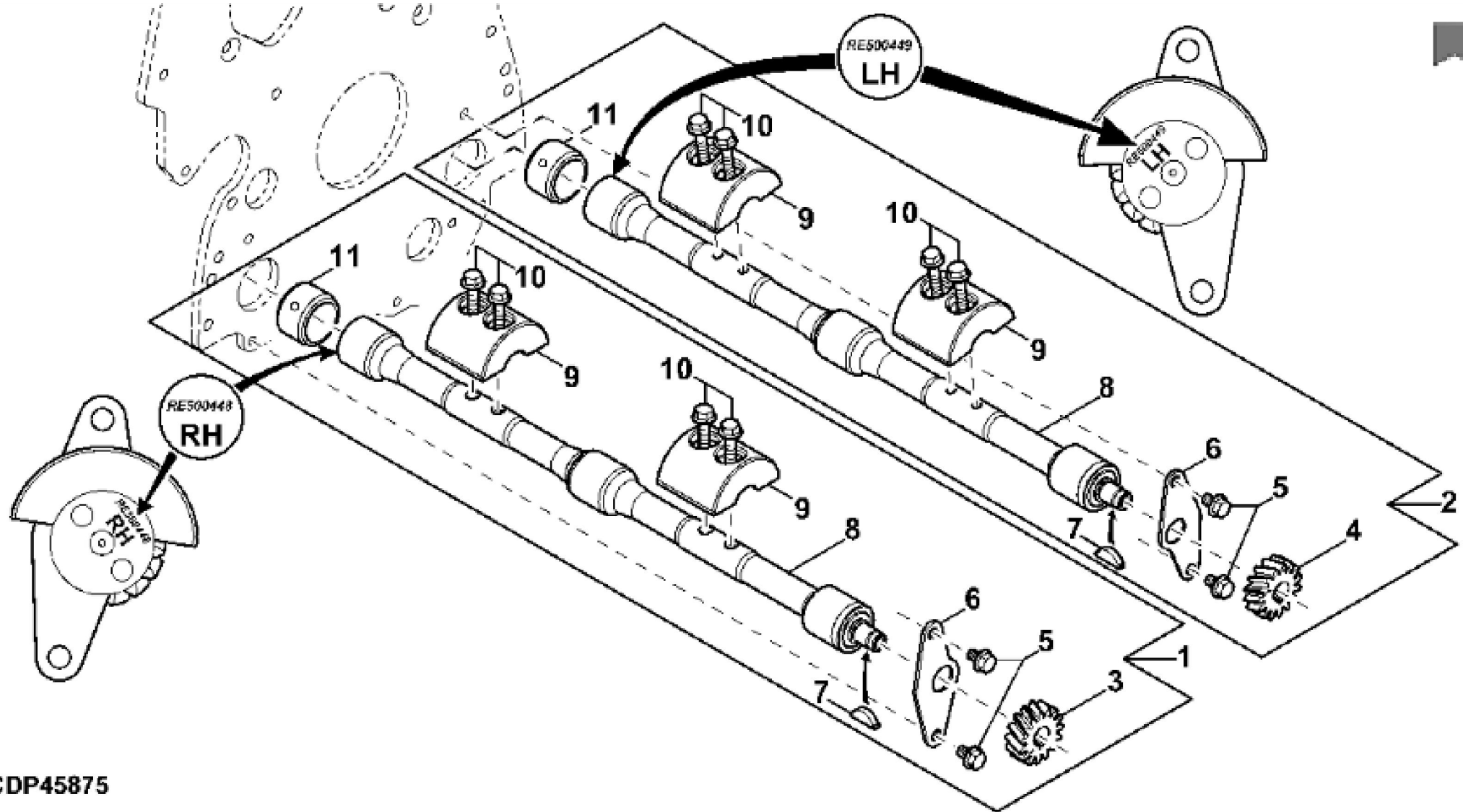
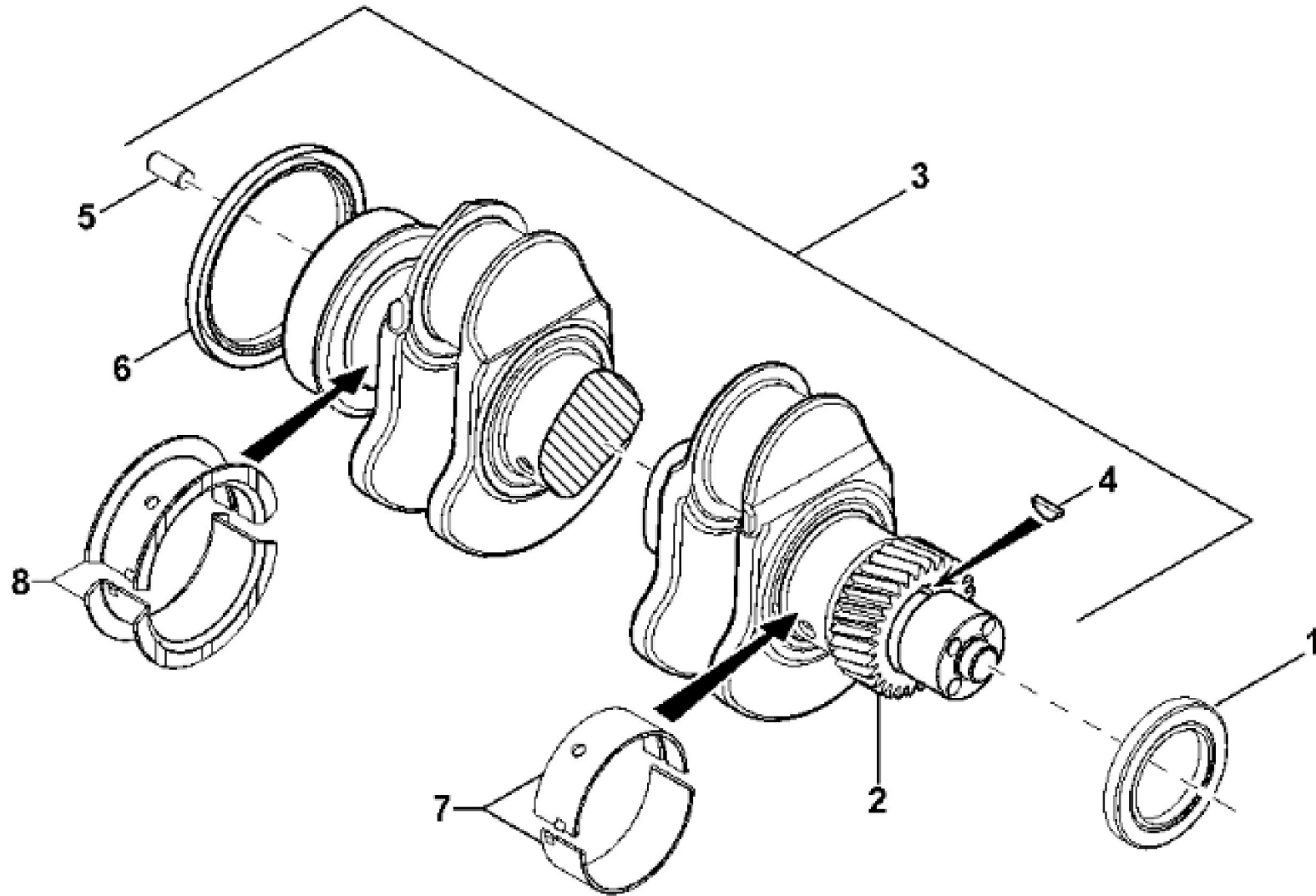


KEY	PART NO.	PART NAME	QTY	Engine Serial No.	3200	3400	REMARKS	
1	.....	CYLINDER BLOCK	1		X	X	(MARKED R115081 OR R504849) (ORDER RE65957)	
2	RE63674	VALVE	1		X	X	KIT	
3	15H623	PIPE PLUG	1		X	X	3/8"	
4	RE508185	FITTING	AR		X	X	1-5/8"-12UN, STEEL (SUB FOR RE502422)	
5	U13639	O-RING	AR		X	X	37.465 X 2.997 mm (1.475" X 0.118"), FOR RE508185	
5	R501377	RING	AR		X	X	FOR RE502422	
6	RE46685	FITTING PLUG	AR		X	X	M18 X 1.5	
7	51M7043	O-RING	1		X	X		
8	R123616	FITTING	AR		X	X	1-5/8"-12UN X M18X1.5	
9	R131182	ORIFICE	4		X	X		
10	RE56375	CAMSHAFT	1		X	X	(MARKED R135439)	
10	SE501624	CAMSHAFT REMAN	1		X	X	(MARKED R135439) (REMAN FOR RE56375)	
11	R132518	PLATE	1		X	X		
12	19M7867	SCREW	2		X	X	M8 X 25	
13	R48685	DOWEL PIN	4		X	X		
14	R116466	PLUG	1		X	X		
15	R119874	BUSHING	1		X	X	(ALSO ORDER TY6333)	
16	T18891	PLUG	2		X	X	OD 16MM	
17	R26650	DOWEL PIN	2		X	X	9.525 X 25.400 mm (3/8" X 1")	
18	R115299	BUSHING	6		X	X		
19	T20168	WASHER	10		X	X		
20	T23474	CAP SCREW	10		X	X		
21	R97185	O-RING	1		X	X		
22	R115390	BUSHING	1		X	X	(FOR R75892)	
23	R75892	O-RING	1		X	X	(FOR R115390)	
24	R104592	PIPE PLUG	4		X	X	1/8"-27NPT	
25	15H584	PIPE PLUG	AR		X	X	1/2"	
26	RE507807	PIPE PLUG	AR		X	X	1/4"-18NPT, THREADS WITH PRE-APPLIED SEALANT (SUB FOR R55233)	
27	AT13740	DRAIN VALVE	1		X	X	1/4"-18NPT	
28	R26493	BUSHING	1	_____-663165	X	X	(USE WITH R83169 AND R131425)	
29	RE505501	BLEED VALVE	1	663166-____	X	X		



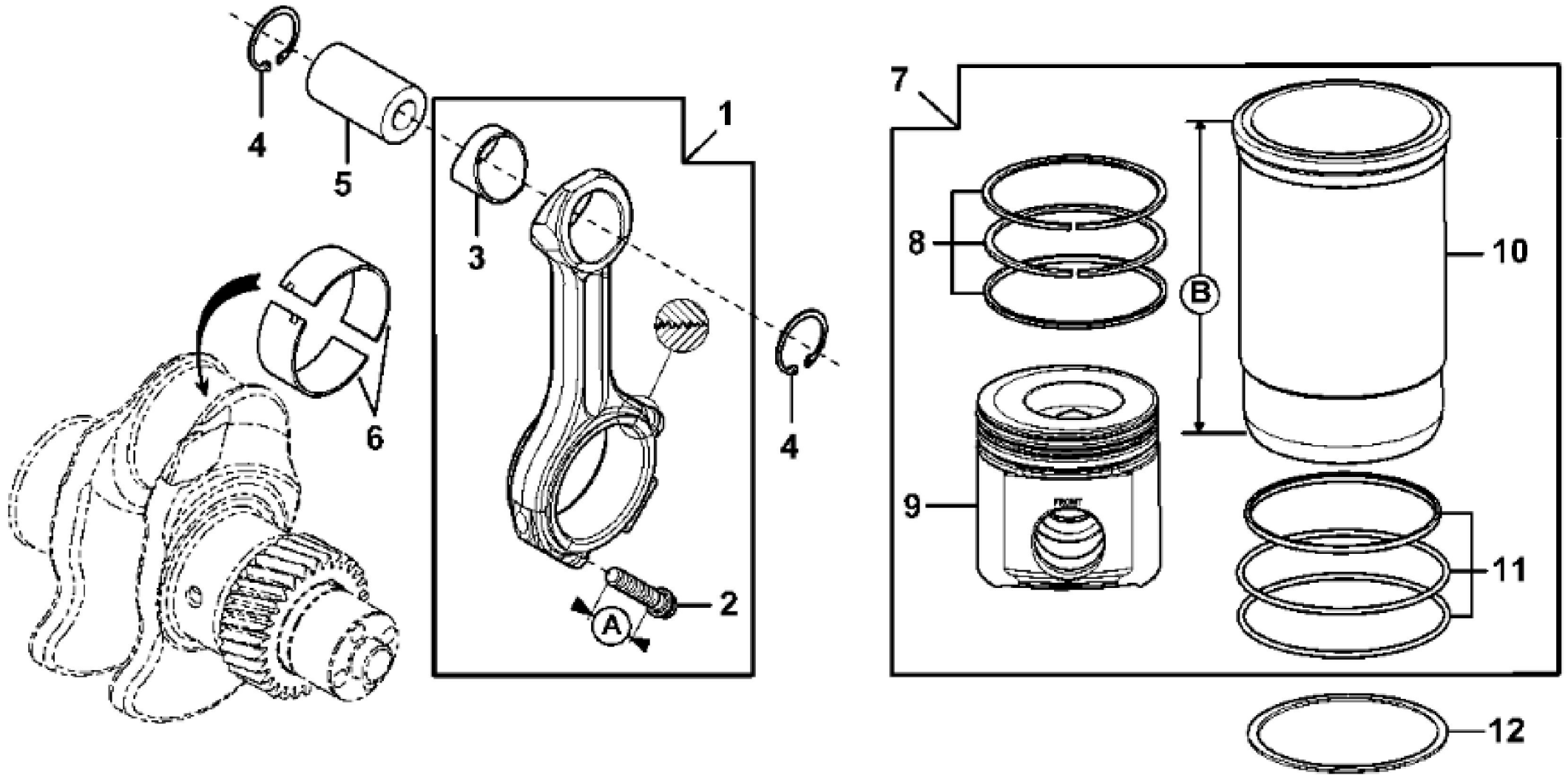
CDP45875

KEY	PART NO.	PART NAME	QTY	3200	3400	REMARKS	
1	RE502447	BALANCER SHAFT	1	X	X	RH, KIT	
2	RE502446	BALANCER SHAFT	1	X	X	LH, KIT	
3	R120637	GEAR	1	X	X	Z = 15, RH	
4	R120639	GEAR	1	X	X	Z = 15, LH	
5	19M7864	SCREW	2	X	X	M8 X 12	
6	R116078	PLATE	1	X	X		
7	R133303	SHAFT KEY	1	X	X		
8	..	BALANCER SHAFT	1	X	X	MARKED RE500448; ORDER RE502447, RH	
8	.....	BALANCER SHAFT	1	X	X	MARKED RE500449; ORDER RE502446, LH	
9	R500650	WEIGHT	2	X	X	LGTH = 62.5 mm, USE WITH RE502446 AND RE502447	
10	19M7798	SCREW	4	X	X	M8 X 40	
11	R115299	BUSHING	3	X	X		



CDP45915

KEY	PART NO.	PART NAME	QTY	3200	3400	REMARKS
1	RE516340	SEAL KIT	1	X	X	(SUB FOR RE59810) FRONT
2	R120631	GEAR	1	X	X	Z= 30
3	RE50618	CRANKSHAFT	1	X	X	(GRINDING GUIDELINES : SEE CTM104) (MARKED R113596) (ORDER RE504638)
3	RE504638	CRANKSHAFT	1	X	X	(GRINDING GUIDELINES : SEE CTM104) ASSY, INCL KEYS 2, 4, 5 (MARKED R502653) (ALSO ORDER RE516340 AND RE44574) (SUB FOR RE50618)
3	SE501654	CRANKSHAFT REMAN	1	X	X	(With Bearings) (REMAN FOR RE504638)
4	26M4224	SHAFT KEY	1	X	X	4 X 16 mm, (USE WITH RE50618)
4	R505609	SHAFT KEY	1	X	X	(USE WITH RE504638)
5	R48685	DOWEL PIN	1	X	X	
6	RE44574	SEAL	1	X	X	REAR
7	RE65165	BEARING	4	X	X	(KIT R123561 AND R123562) STD
7	RE65911	BEARING	AR	X	X	(GRINDING GUIDELINES : SEE CTM104) ID-0.254MM, (KIT R130576 AND R130577)
8	RE65168	THRUST BEARING	1	X	X	(KIT R123563 AND R123564) STD
8	RE65912	THRUST BEARING	AR	X	X	(GRINDING GUIDELINES : SEE CTM104) ID-0.254MM, (KIT R130574 AND R130575)



**CDP45138**

Thank you so much for reading.  
Please click the “Buy Now!”  
button below to download the  
complete manual.



After you pay.

You can download the most  
perfect and complete manual in  
the world immediately.

Our support email:

[ebooklibonline@outlook.com](mailto:ebooklibonline@outlook.com)