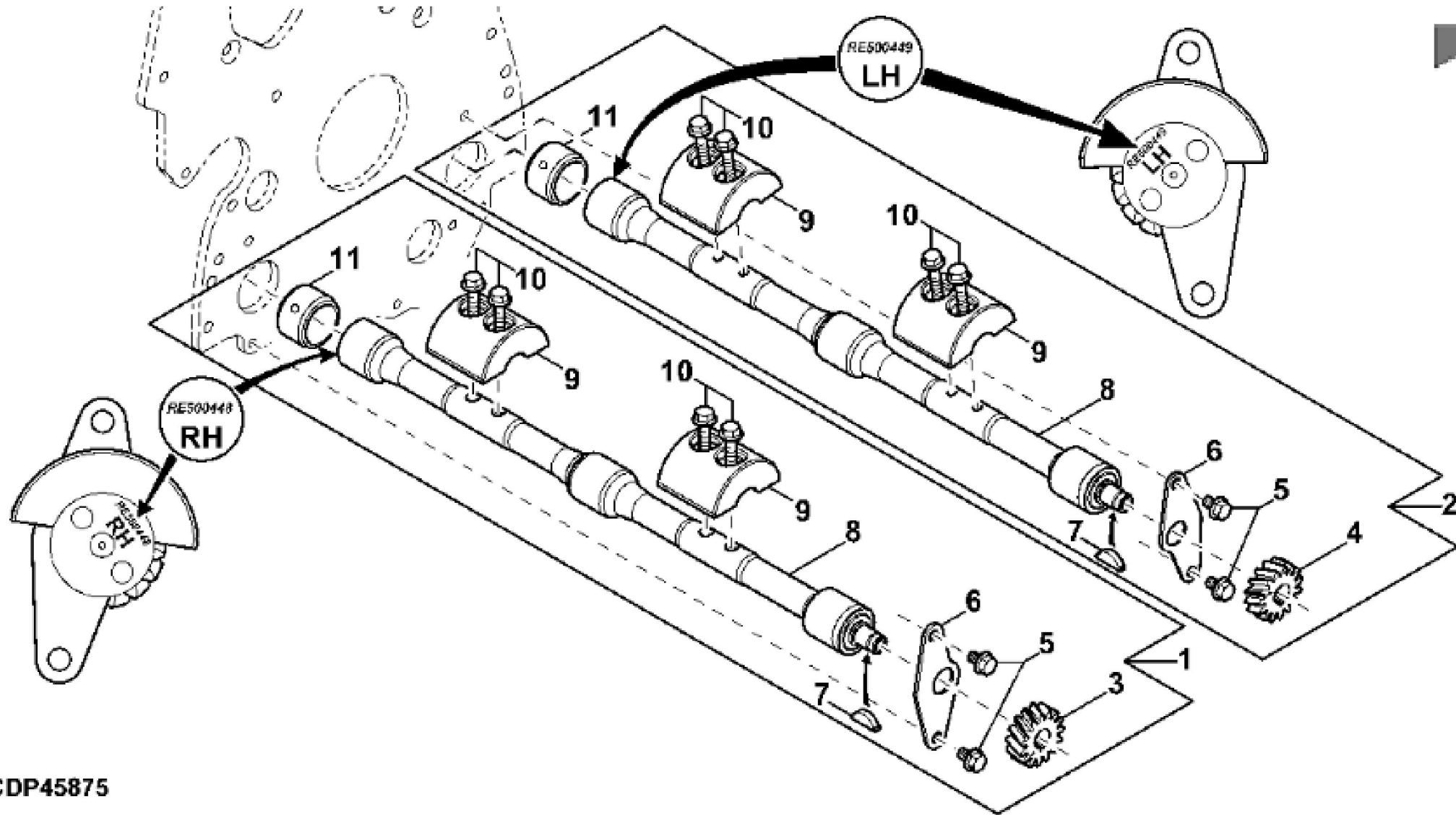


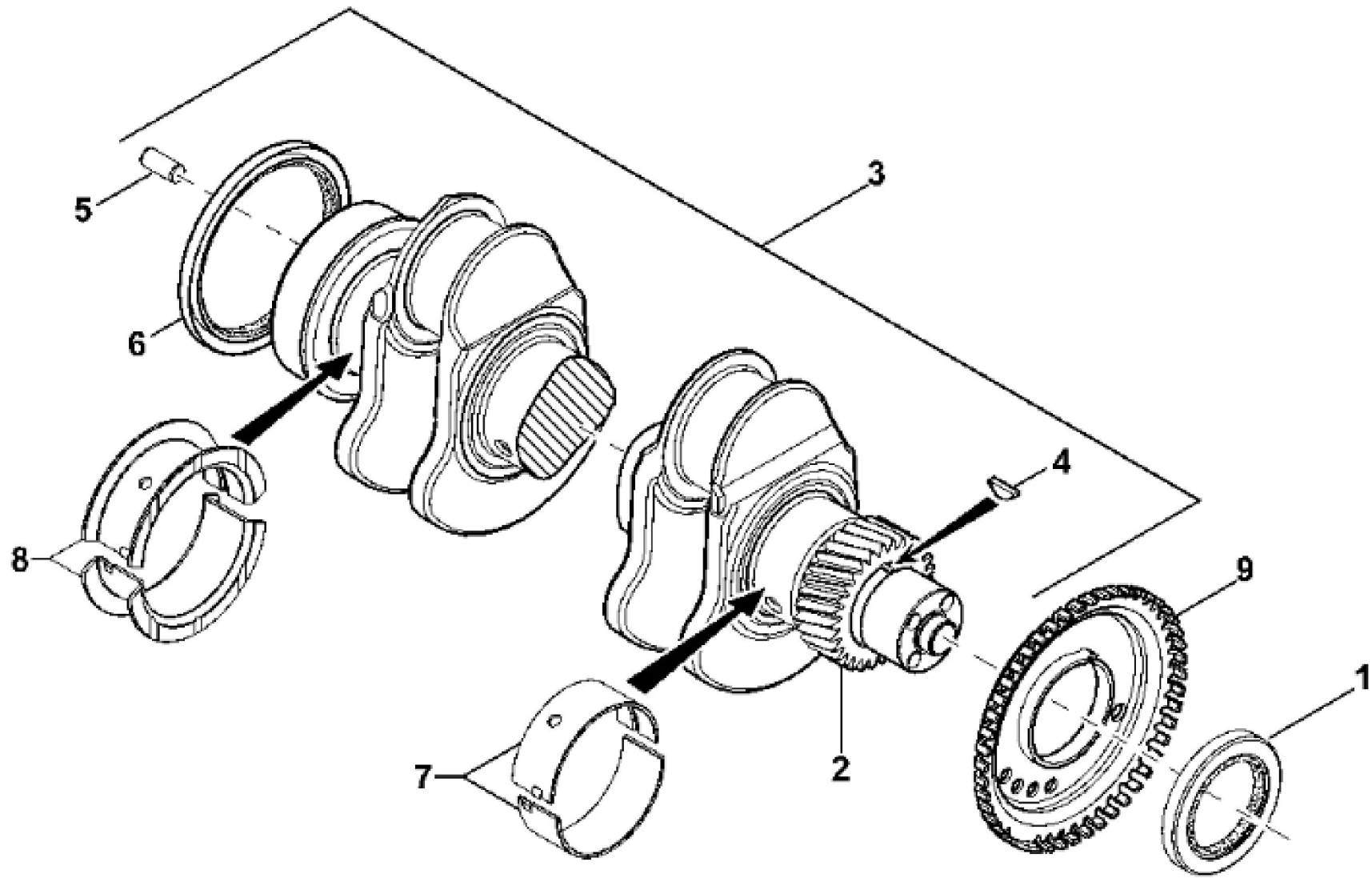
KEY	PART NO.	PART NAME	QTY	Engine Serial No.	3800	REMARKS
1	CYLINDER BLOCK	1		X	(MARKED R115081 OR R504849) (ORD RE520377)
2	RE63674	VALVE	1		X	KIT
3	15H623	PIPE PLUG	1		X	3/8"
4	RE508185	FITTING	AR		X	1-5/8"-12UN, STEEL, (SUB FOR RE502422)
5	U13639	O-RING	1		X	(USE WITH RE508185 AND R123616)
5	R501377	RING	1		X	(FOR RE502422)
6	RE46685	FITTING PLUG	AR		X	M18 X 1.5
7	51M7043	O-RING	1		X	15.300 X 2.200 mm
8	R123616	PLUG	AR		X	1-5/8"-12UN X M18X1.5
9	R131182	ORIFICE	4		X	
10	RE56375	CAMSHAFT	1		X	(MARKED R135439 OR RE522315)
10	SE501624	CAMSHAFT REMAN	1		X	(REMAN FOR RE56375)
11	R132518	PLATE	1		X	
12	19M7867	SCREW	2		X	M8 X 25, (10.9)
13	R48685	DOWEL PIN	4		X	
14	R116466	PLUG	1		X	
15	R119874	BUSHING	1		X	(ALSO ORDER TY6333)
16	T18891	PLUG	2		X	OD= 16MM
17	R26650	DOWEL PIN	2		X	9.525 X 25.400 mm (3/8" X 1")
18	R115299	BUSHING	6		X	
19	T20168	WASHER	10		X	
20	T23474	CAP SCREW	10		X	
21	R97185	O-RING	1		X	
22	R115390	BUSHING	1		X	FOR R75892
23	R75892	O-RING	1		X	FOR R115390
24	RE42713	PIPE PLUG	4		X	1/8"-27NPT, (SUB FOR R104592)
25	15H584	PIPE PLUG	AR		X	1/2"
26	RE507807	PIPE PLUG	AR		X	1/4"-18NPT, THREADS WITH PRE-APPLIED SEALANT
27	AT13740	DRAIN VALVE	AR		X	1/4"-18NPT
28	R26493	BUSHING	1	____-663165	X	(FOR R83169 AND R131425)
29	RE505501	BLEED VALVE	1	663166-____	X	



CDP45875

SHAFT

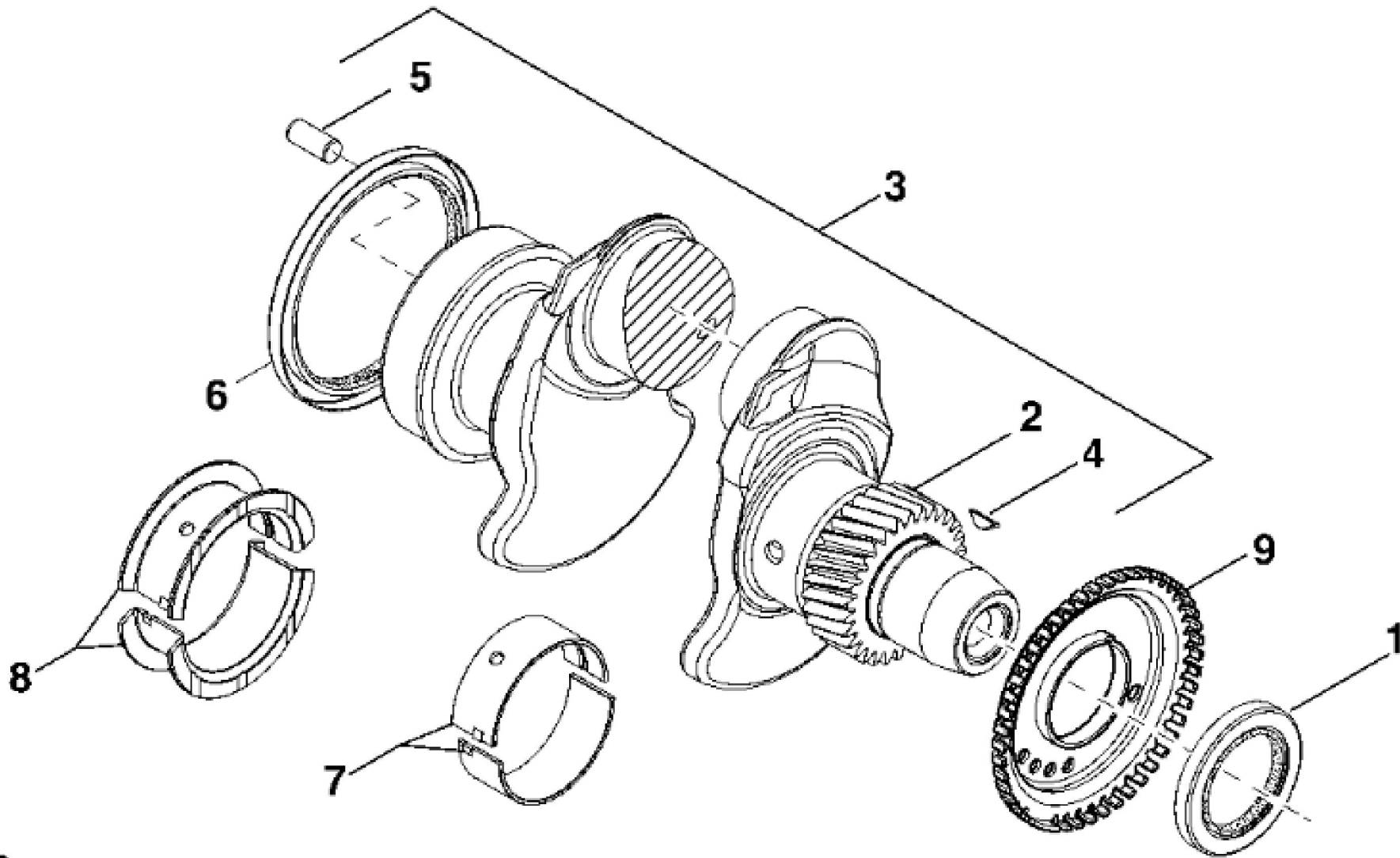
KEY	PART NO.	PART NAME	QTY	3800	REMARKS
1	RE502447	BALANCER SHAFT	1	X	RH, KIT
2	RE502446	BALANCER SHAFT	1	X	LH, KIT
3	R120637	GEAR	1	X	Z= 15 , RH
4	R120639	GEAR	1	X	Z= 15 , LH
5	19M7864	SCREW	2	X	M8 X 12, (10.9)
6	R116078	PLATE	1	X	
7	R133303	SHAFT KEY	1	X	
8	BALANCER SHAFT	1	X	RH, NSEP, (MARKED RE500448) (ORDER RE502447)
8	BALANCER SHAFT	1	X	LH, NSEP, (MARKED RE500449) (ORDER RE502446)
9	R500650	WEIGHT	2	X	
10	19M7798	SCREW	4	X	M8 X 40, (10.9)
11	R115299	BUSHING	3	X	



CDP45907A

John Deere > Turf And Utility > TELESCOPIC HANDLER > 3800 - TELESCOPIC HANDLER > 3800 Telescopic Handler (Worldwide Edition) > 20 ENGINE CD4045HZ050 (- 799999) > ST408783 - CRANKSHAFT WITH STRAIGHT NOSE / BEARINGS

KEY	PART NO.	PART NAME	QTY	3800	REMARKS
1	RE538097	SEAL	1	X	FRONT, (SUB FOR RE516340)
2	R120631	GEAR	1	X	Z= 30
3	RE504638	CRANKSHAFT	1	X	(Grinding Guidelines : See CTM104) (ALSO ORDER RE538097 AND RE44574) ASSY, INCL KEYS 2, 4, 5
3	SE501654	CRANKSHAFT REMAN	1	X	(With Bearings) (REMAN FOR RE504638)
4	R505609	SHAFT KEY	1	X	
5	R48685	DOWEL PIN	1	X	
6	RE44574	SEAL	1	X	REAR
7	RE65165	BEARING KIT	4	X	STD, (KIT R123561 AND R123562)
7	RE65911	BEARING	AR	X	(Grinding Guidelines : See CTM104) ID-0.254MM, (KIT R130574 AND R130575)
8	RE65168	BEARING KIT	1	X	STD, (KIT R123563 AND R123564)
8	RE65912	THRUST BEARING	AR	X	(Grinding Guidelines : See CTM104) ID-0.254MM, (KIT R130574 AND R130575)
9	R517471	WHEEL	1	X	(SUB FOR R501489)



CD43900B

Thank you so much for reading.
Please click the “Buy Now!”
button below to download the
complete manual.



After you pay.

You can download the most
perfect and complete manual in
the world immediately.

Our support email:

ebooklibonline@outlook.com