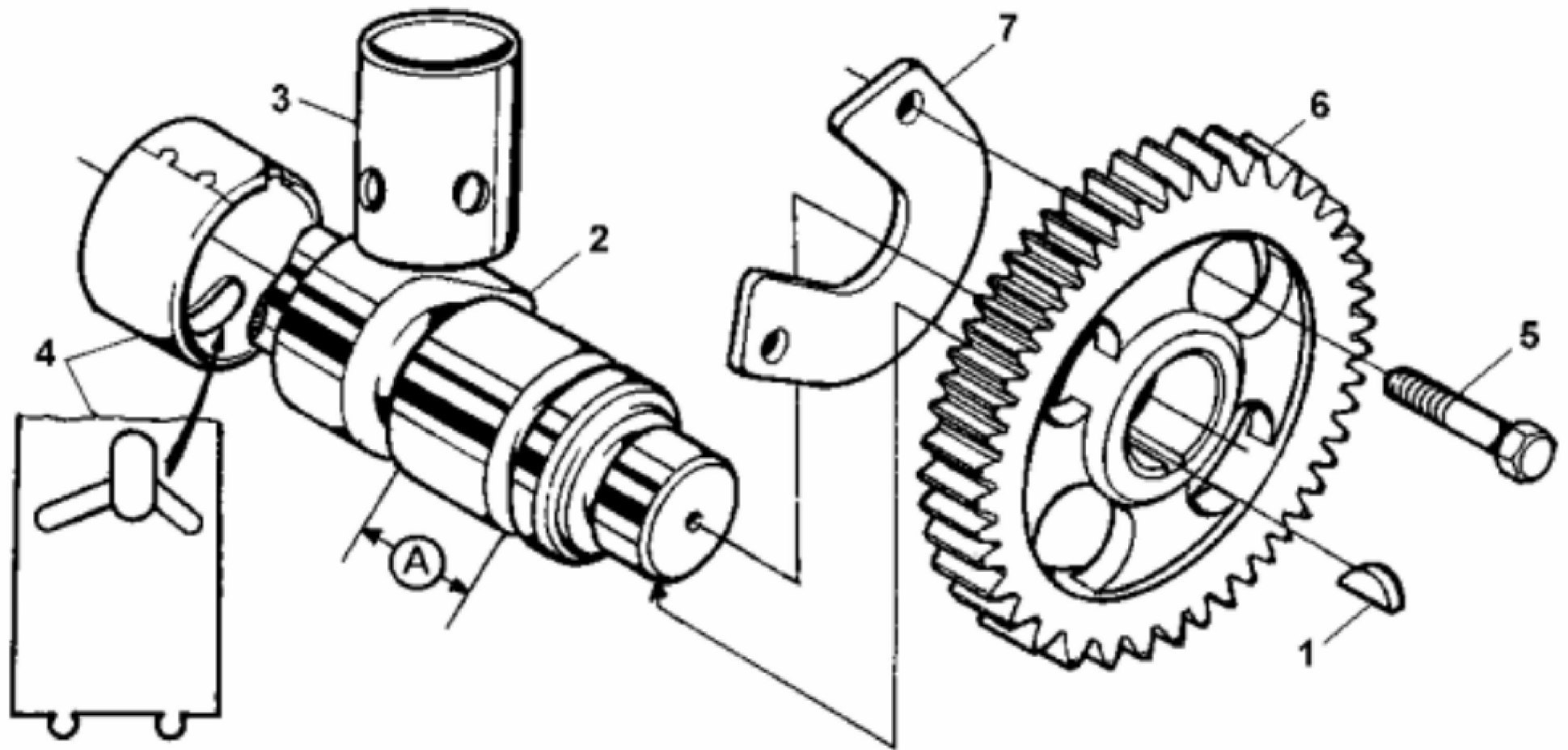


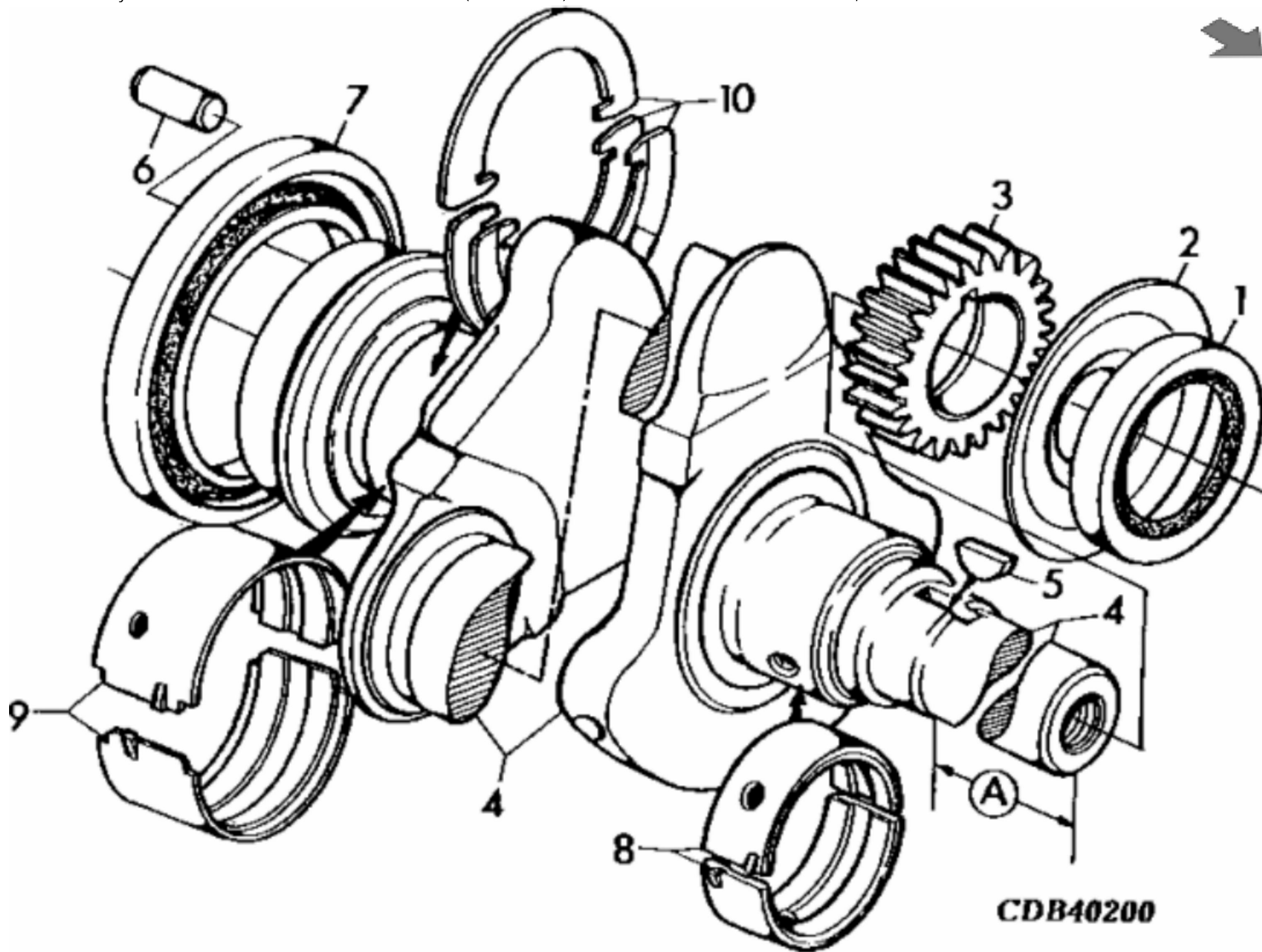
PY55181

KEY	PART NO.	PART NAME	QTY	REMARKS	
1	R54802	ORIFICE	3		
2	A120R	DOWEL PIN	4		
3	B153R	DOWEL PIN	2		
4	19H1912	CAP SCREW	2	3/8" X 3-1/2"	
5	T25701	STUD	1		
6	T18891	PLUG	2		
7	R26493	BUSHING	1		
8	R111137	SPRING	1		
9	R121043	VALVE	1		
10	T23474	CAP SCREW	8		
11	R32214	WASHER	8		
12	R65215	BEARING CAP	3		
13	R65214	BEARING CAP	1		
14	R97185	O-RING	1		
15	RE521045	CYLINDER BLOCK	1	(ORD PY10591)	
16	T23435	THREADED NIPPLE	1		
17	RE507807	PIPE PLUG	1		
18	RE42713	PIPE PLUG	2		
19	15H653	PIPE PLUG	1	1"	
20	15H695	PIPE PLUG	1	3/8"	
21	14H255	NUT	1	3/8"	
22	D2361R	BALL	1		
23	99M7073	PLUG	2		

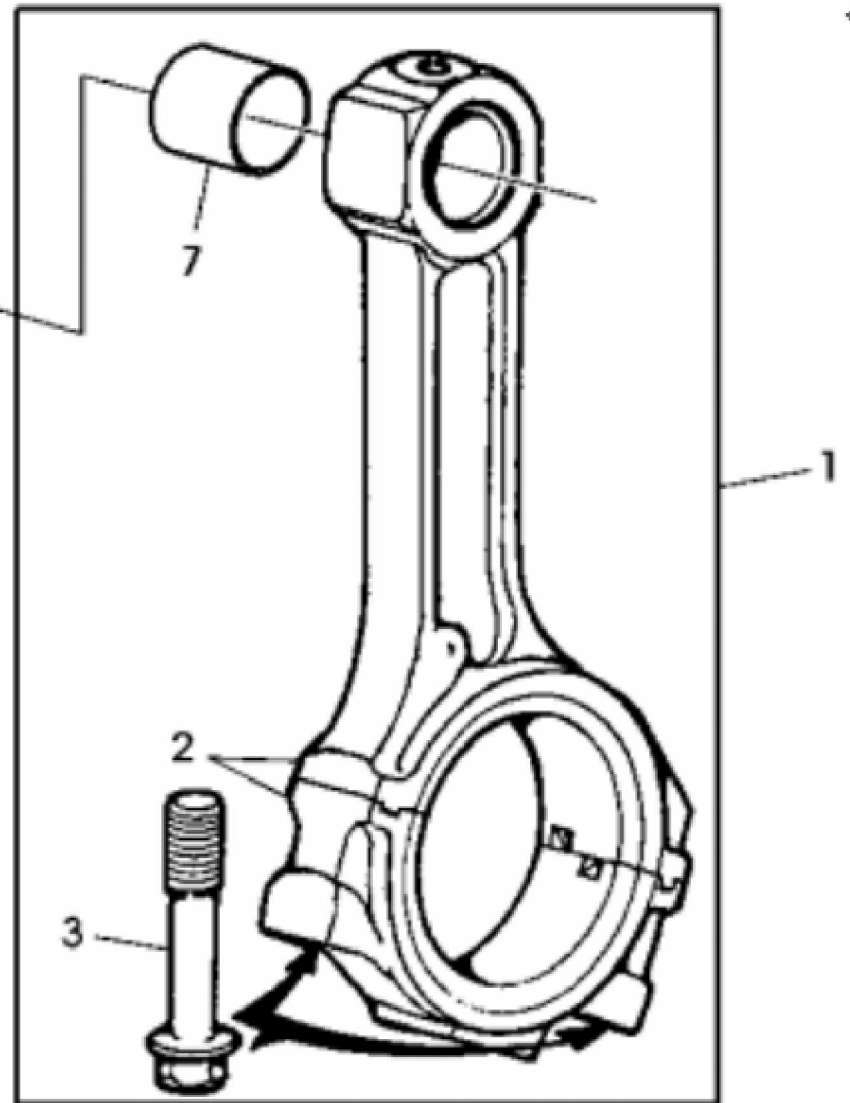
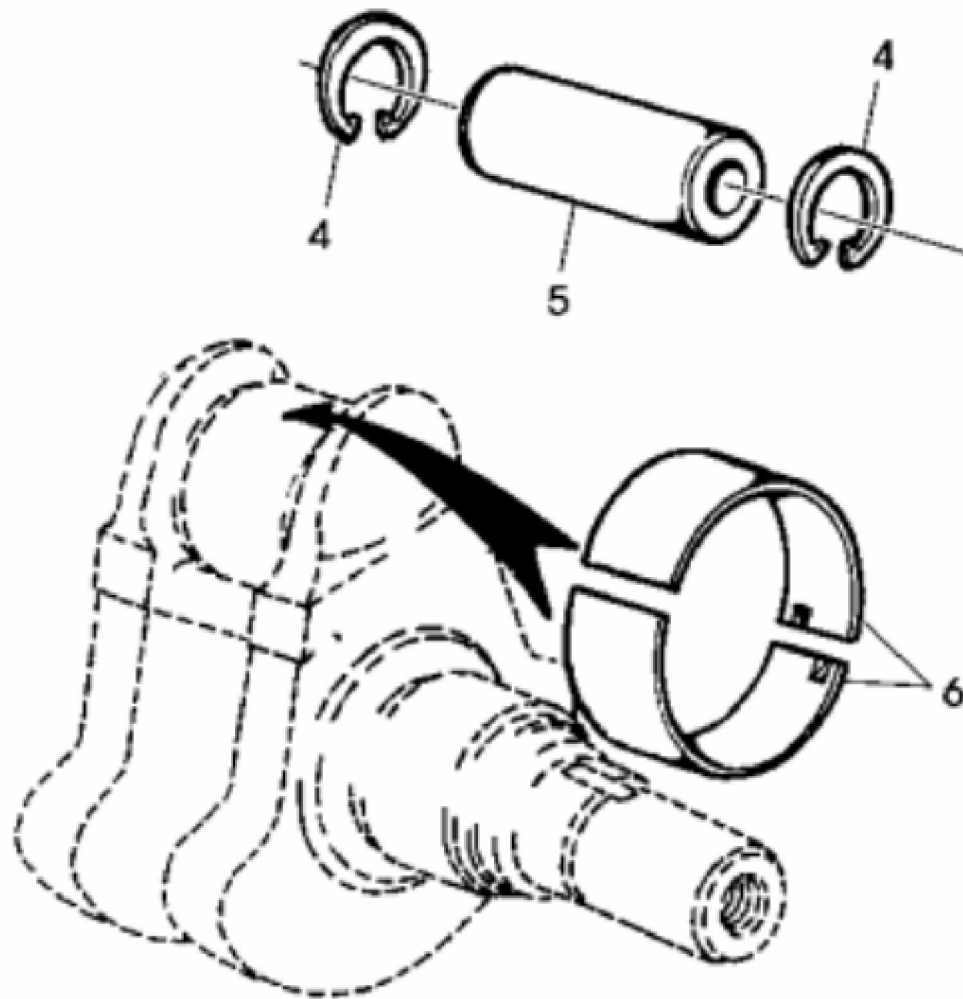


PY50839

KEY	PART NO.	PART NAME	QTY	REMARKS	
1	26H72	SHAFT KEY	1	1/8" X 5/8"	
2	R502183	CAMSHAFT	1	ORDER RE504451	
2	RE504451	CAMSHAFT	1		
2	SE501623	CAMSHAFT REMAN	AR	REMAN FOR RE504451	
3	R515092	CAM FOLLOWER	6		
4	R119874	BUSHING	1		
5	19H218	CAP SCREW	2	3/8" X 1"	
6	R126246	GEAR	1	Z=48	
7	T20072	PLATE	1		



KEY	PART NO.	PART NAME	QTY	REMARKS	
1	AR67942	SEAL	1	FRONT	
2	T20046	OIL SLINGER	1		
3	R100850	GEAR	1	Z = 24	
4	DZ104327	CRANKSHAFT	1	(SEE GRINDING GUIDELINES CTM3274) A = 60 mm, INCL KEYS 1, 2, 7, 8, 9, 10	
5	26H72	SHAFT KEY	1	1/8" X 5/8"	
6	A120R	DOWEL PIN	1	OD =12.7 mm, (0.5")	
7	RE44574	SEAL	1	REAR	
8	R515304	BEARING	6	STD 'MAIN BEARING SHELL	
9	R515305	BEARING	2	STD 'THRUST BEARING SHELL	
10	R516362	THRUST WASHER	3	TK = STD	



PY51366

Thank you so much for reading.
Please click the “Buy Now!”
button below to download the
complete manual.



After you pay.

You can download the most
perfect and complete manual in
the world immediately.

Our support email:

ebooklibonline@outlook.com