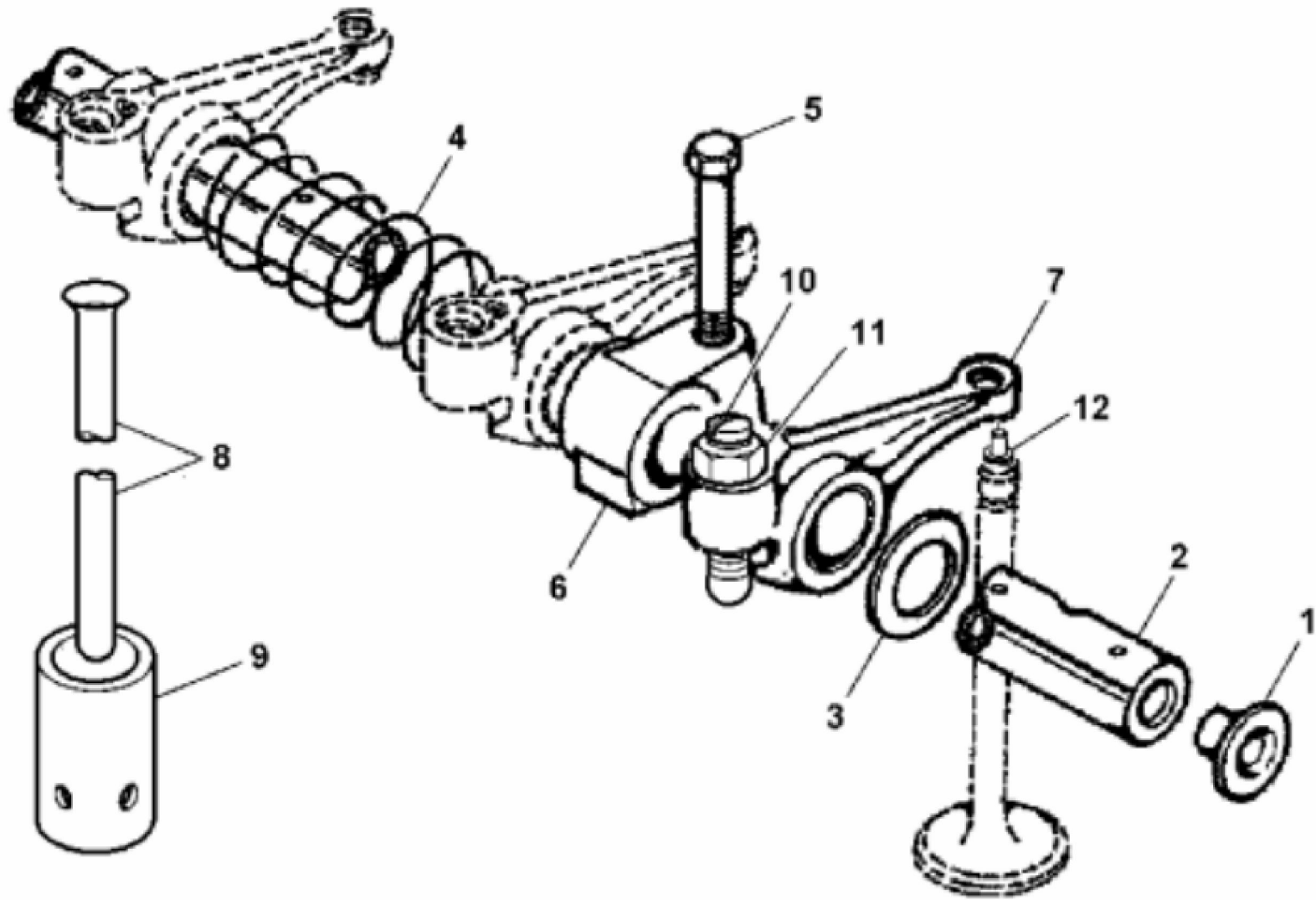


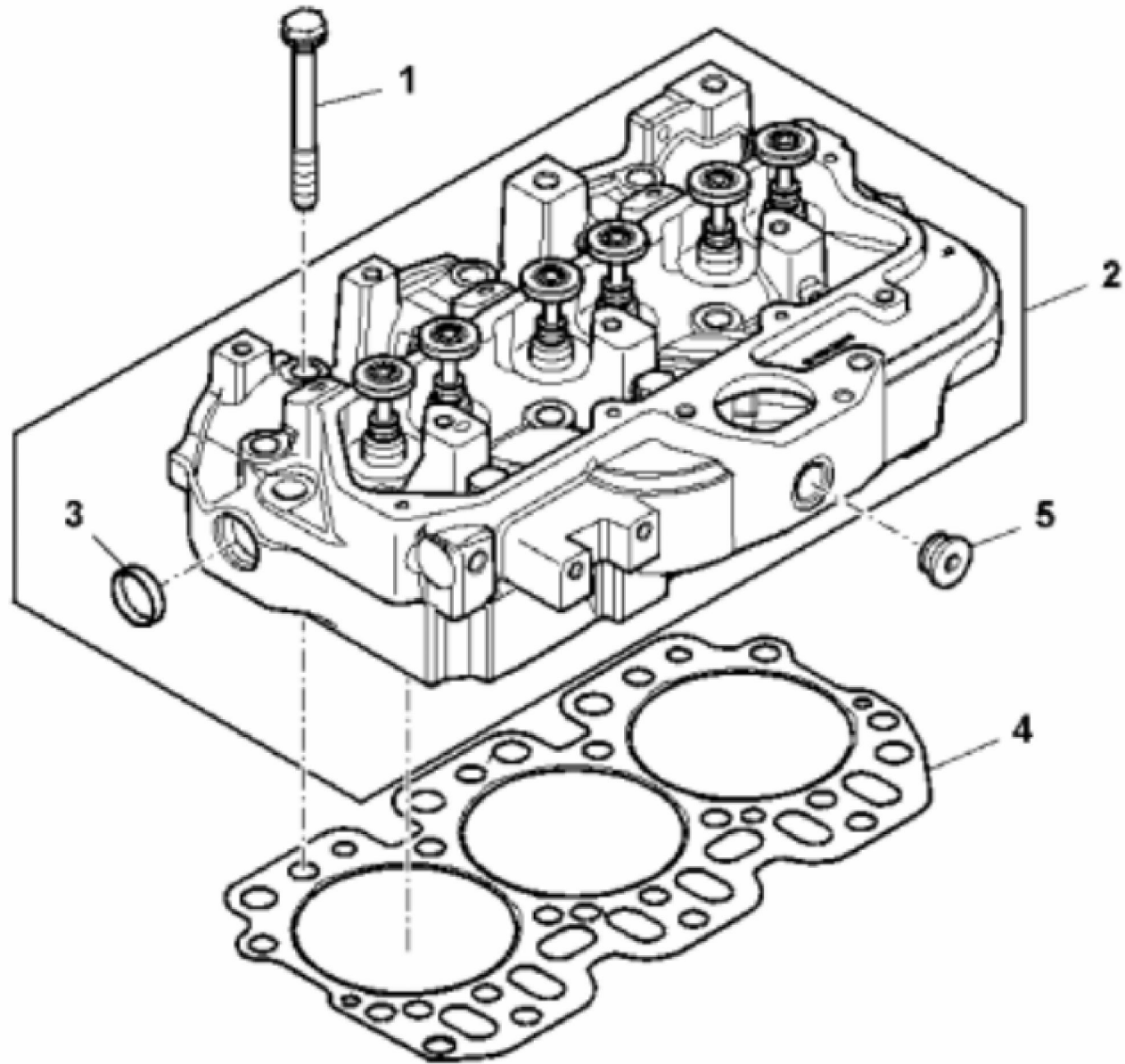
PY52751

KEY	PART NO.	PART NAME	QTY	REMARKS	
1	AR100124	SCREW WITH WASHER	6		
2	RE538676	COVER	1	(ORD PY10569)	
3	R75729	GASKET	1		



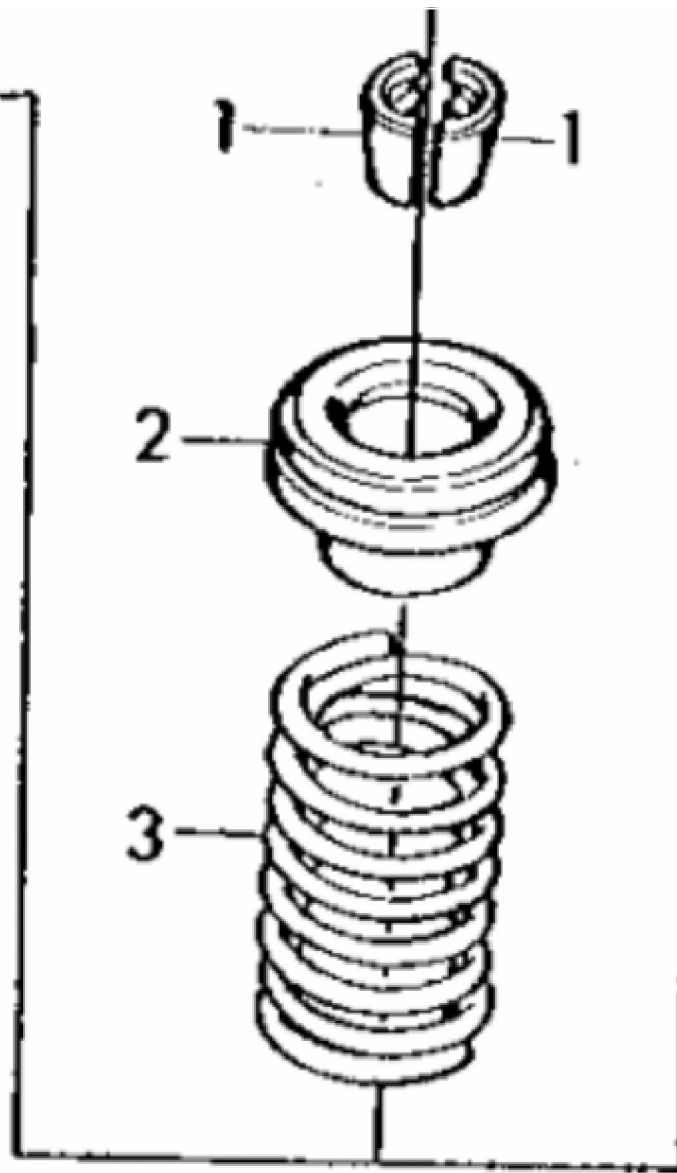
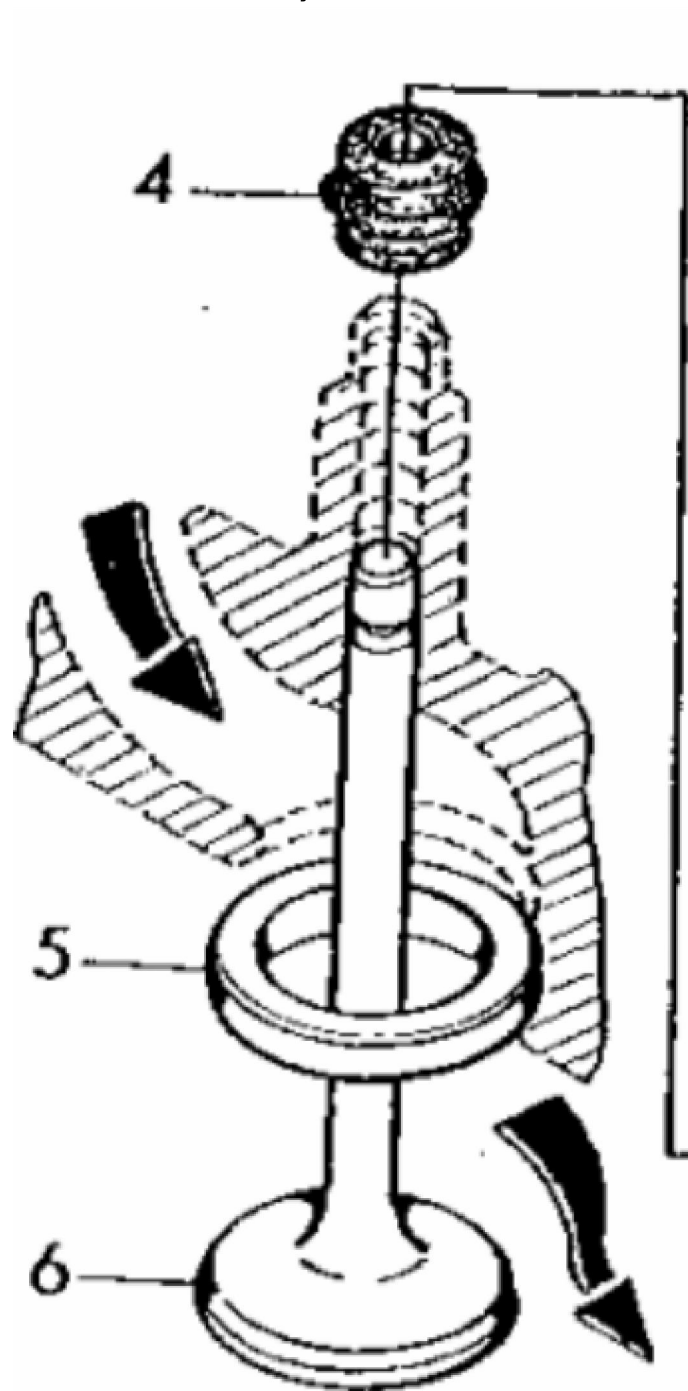
PY52171

KEY	PART NO.	PART NAME	QTY	REMARKS	
1	R54565	PLUG	2		
2	SHAFT	1	NLA; ORDER RE519735	
2	RE519735	ROCKER ARM SHAFT	1	SUB FOR R501532	
3	T20316	WASHER	2		
4	T20314	SPRING	2		
5	R504813	SELF-LOCKING SCREW	3		
6	R516741	SUPPORT	3		
7	RE62148	ROCKER ARM	6	INCL KEYS 10 -11	
8	R515095	PUSH ROD	6		
9	R515092	CAM FOLLOWER	6		
10	R515577	SCREW	6		
11	R125881	LOCK NUT	6		
12	T26872	INSERT	6		

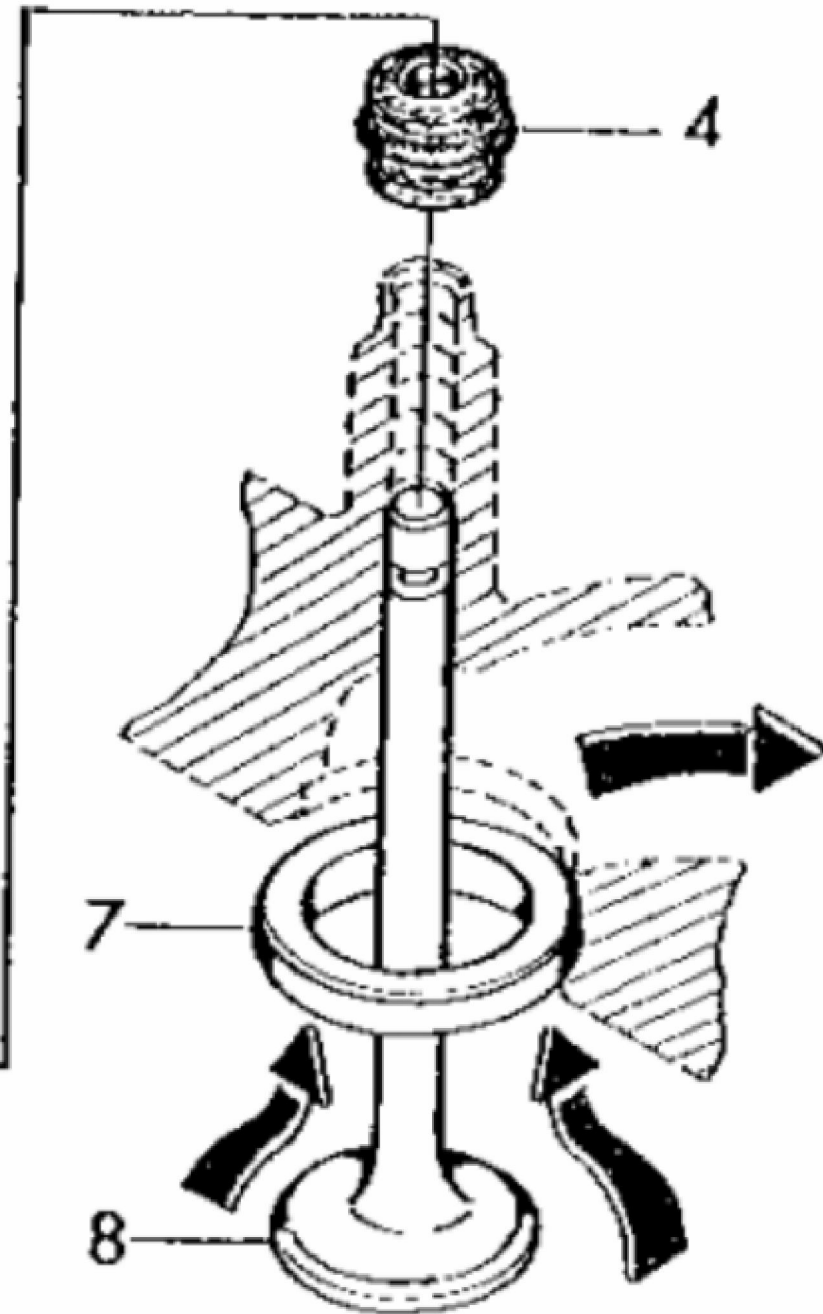


PY52960

KEY	PART NO.	PART NAME	QTY	REMARKS	
1	R516516	CAP SCREW	14		
2	RE65214	CYLINDER HEAD	1	SUB FOR RE507618; Trem III	
2	RE534874	CYLINDER HEAD	1	SUB FOR RE536445; Trem IIIA	
3	CD16284	PLUG	1		
4	R515090	ENGINE CYLINDER HEAD GASKET	1		
5	T58477	FITTING PLUG	1		



CD37204



Thank you so much for reading.
Please click the “Buy Now!”
button below to download the
complete manual.



After you pay.

You can download the most
perfect and complete manual in
the world immediately.

Our support email:

ebooklibonline@outlook.com