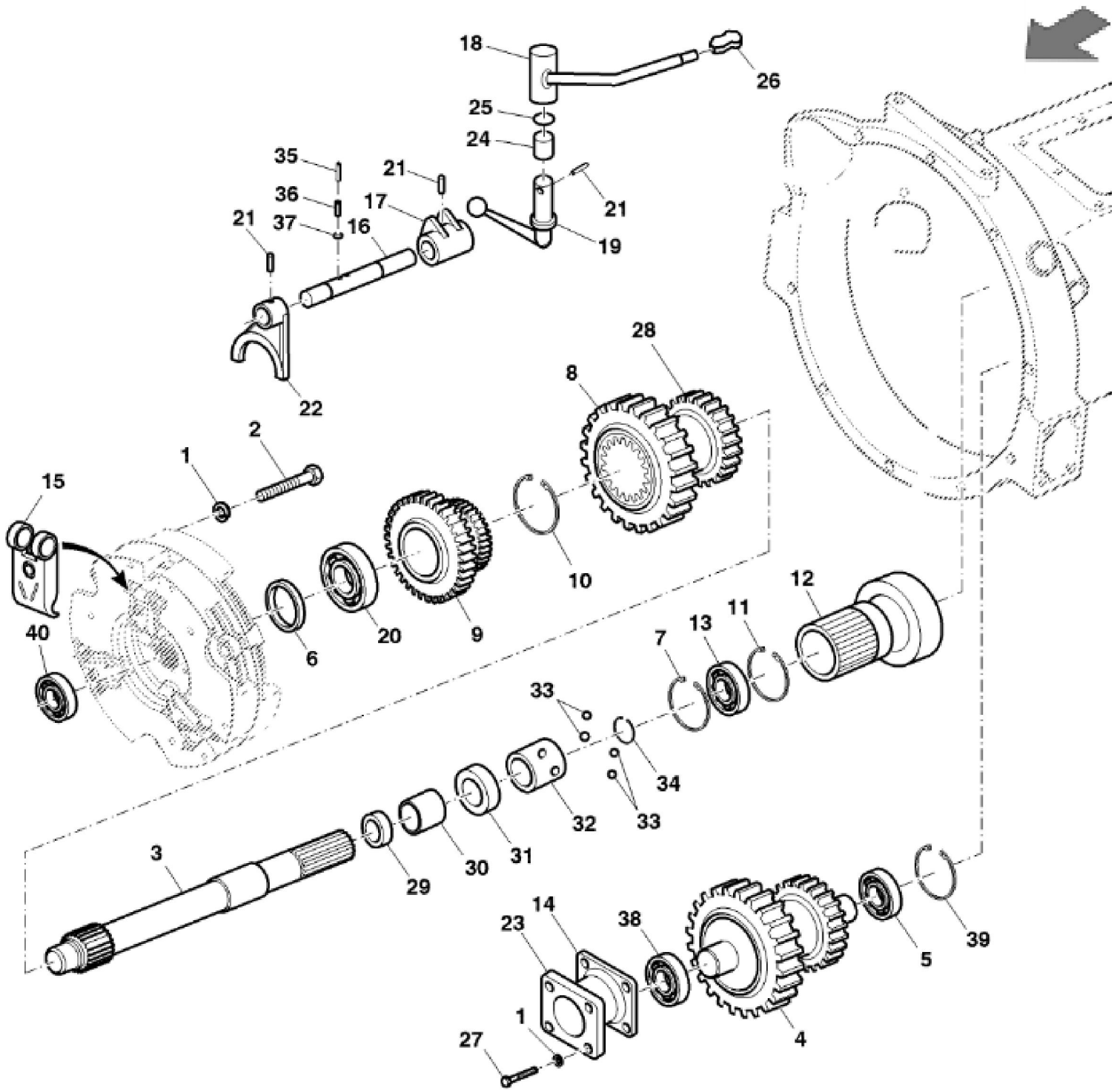


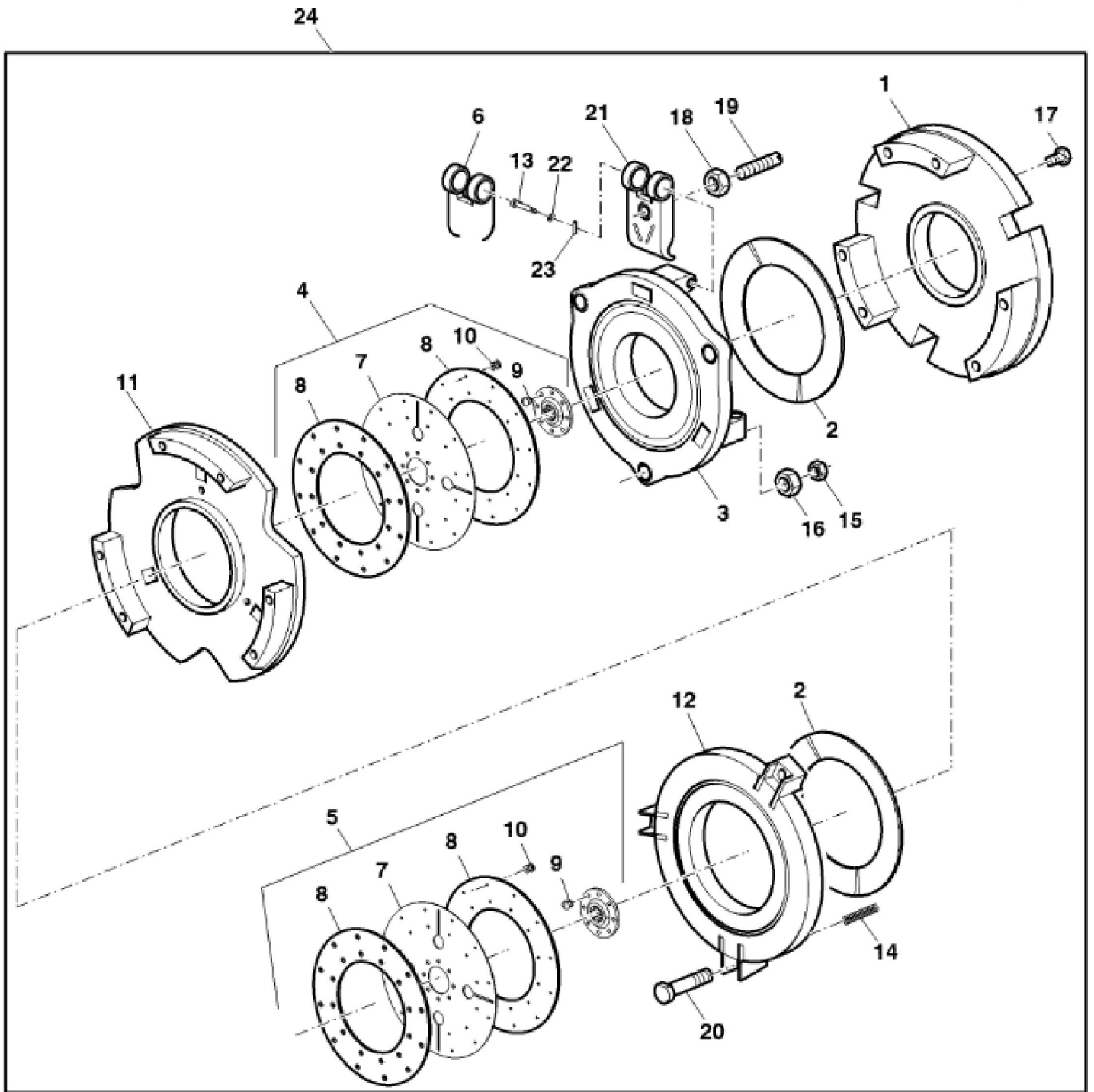
PUC03119

KEY	PART NO.	PART NAME	QTY	REMARKS	
1	SJ329725	CLUTCH DISK	1		
2	SU328265	BEARING	1		
3	SJ337088	CLUTCH PLATE	1	SUB FOR SJ330745	
4	SU318990	LOCK WASHER	6		
5	19M3129	CAP SCREW	6	M8 X 20	



KEY	PART NO.	PART NAME	QTY	REMARKS
1	SU318990	LOCK WASHER	10	
2	SU326991	BOLT	6	
3	SU324532	SHAFT	1	
4	SU326803	GEAR	1	
5	SU318283	BEARING	1	
6	SU318565	SEAL	1	
7	SU319006	SNAP RING	1	
8	SU324535	GEAR	1	
9	SU324533	GEAR	1	
10	SU318708	SNAP RING	1	
11	SU318693	SNAP RING	1	
12	SU326919	SLEEVE	1	
13	SU318264	BEARING	1	
14	SU326182	GASKET	1	
15	SU315649	LEVER	2	
16	SU324538	SHAFT	1	
17	SU324539	SHIFTER	1	
18	SJ326915	ROD	1	
19	SU327002	SHAFT	1	
20	SU318271	BEARING	1	
21	34M7031	SPRING PIN	3	5 X 24 mm
22	SU324537	FORK	1	
23	SU326272	BEARING HOUSING W/O BEARING	1	
24	SU315180	SLEEVE	1	
25	SU317898	O-RING	1	
26	SU321172	KNOB	1	
27	SU318732	BOLT	4	
28	SU327000	WASHER	1	
29	SU326918	SEAL	1	
30	SU327001	SLEEVE	1	
31	SU324543	WASHER	1	
32	SU324524	SPLINED COUPLING	1	
33	SU318513	BALL	4	
34	SU318699	SNAP RING	1	
35	SU327003	SHAFT	1	

KEY	PART NO.	PART NAME	QTY	REMARKS	
36	SU314814	SPRING	1		
37	SU318528	BALL	1		
38	SU318282	BEARING	1		
39	SU318688	SNAP RING	1		
40	SU318265	BEARING	1		



PUC03923

Thank you so much for reading.
Please click the “Buy Now!”
button below to download the
complete manual.



After you pay.

You can download the most
perfect and complete manual in
the world immediately.

Our support email:

ebooklibonline@outlook.com