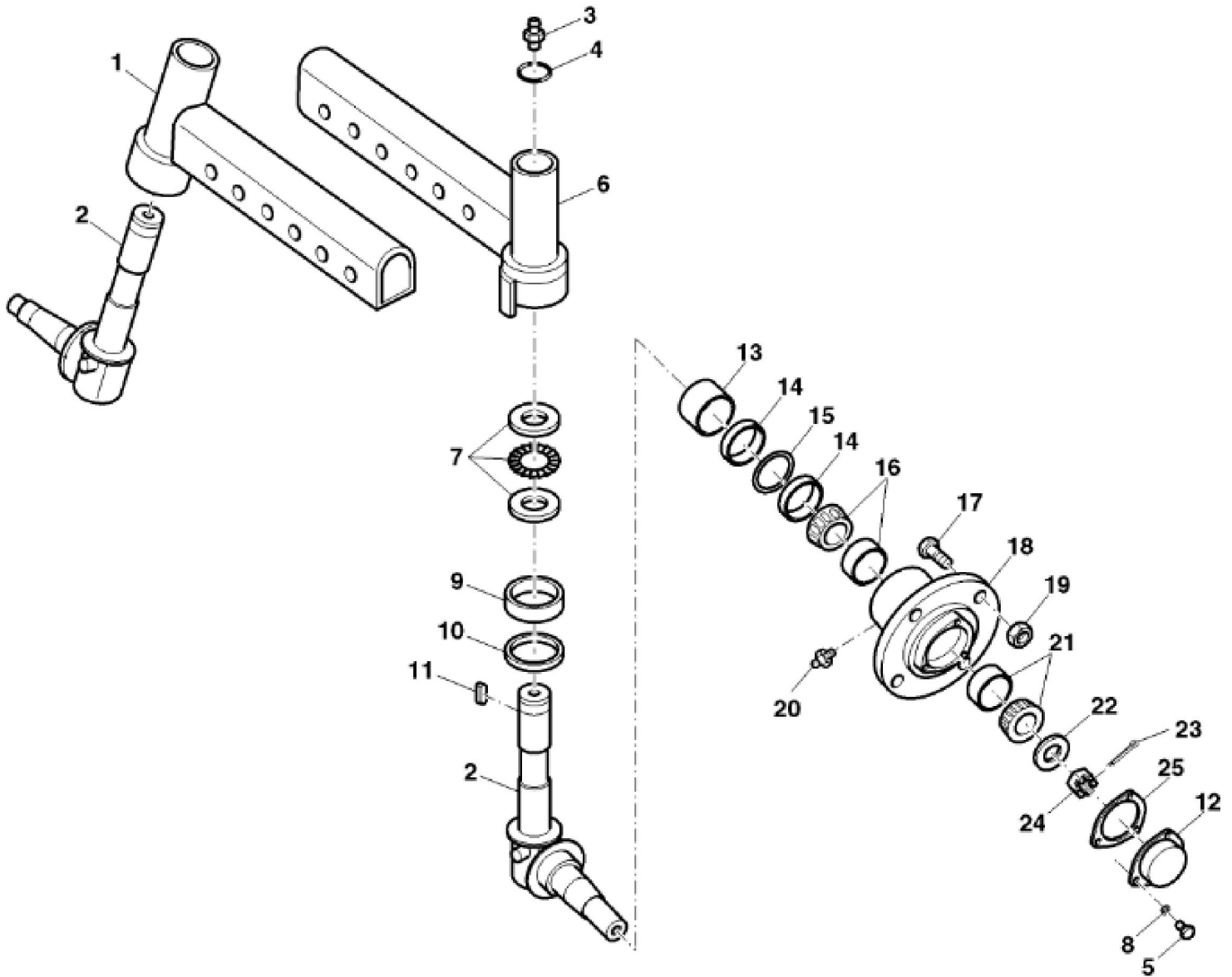
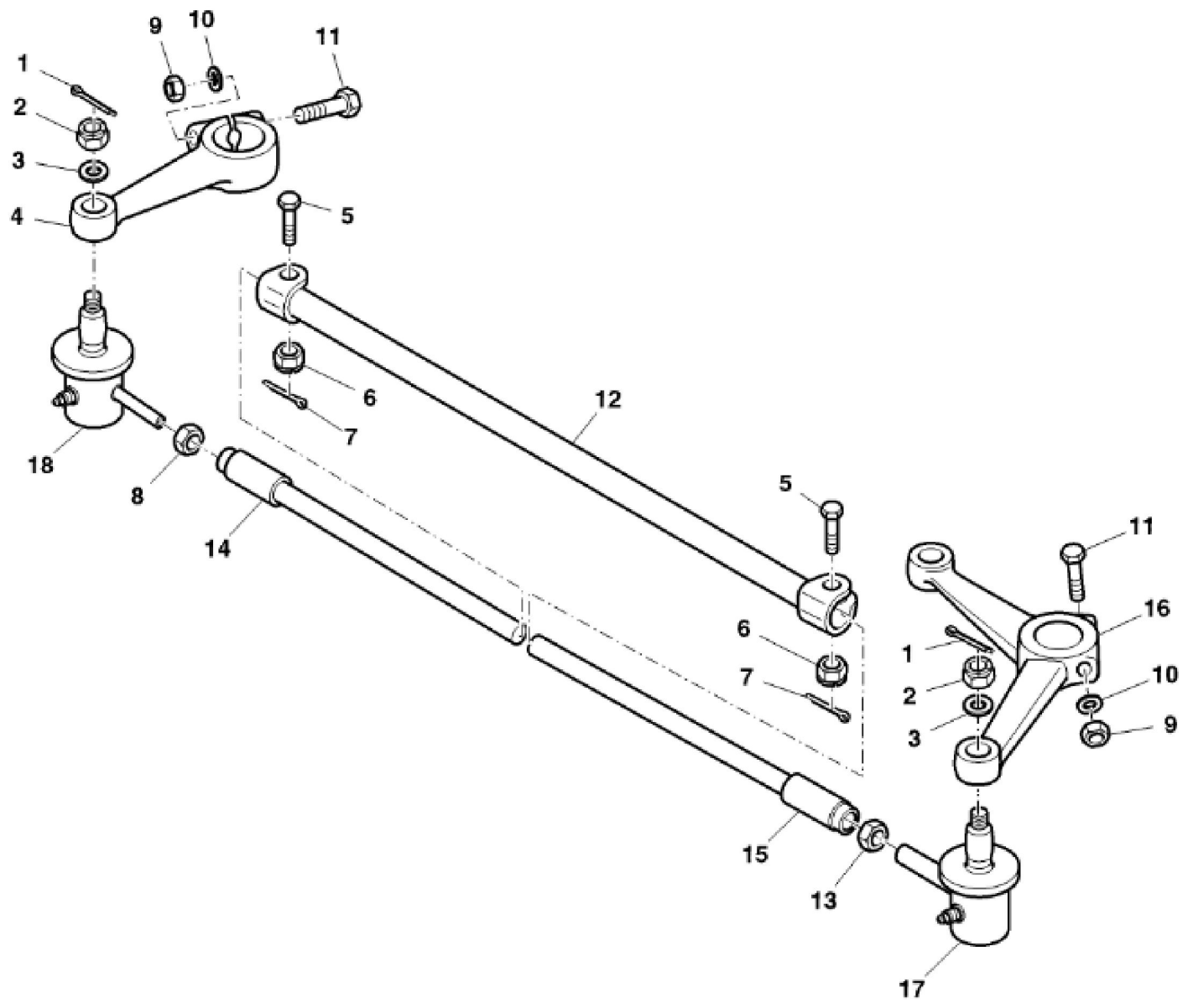


PUC01838A

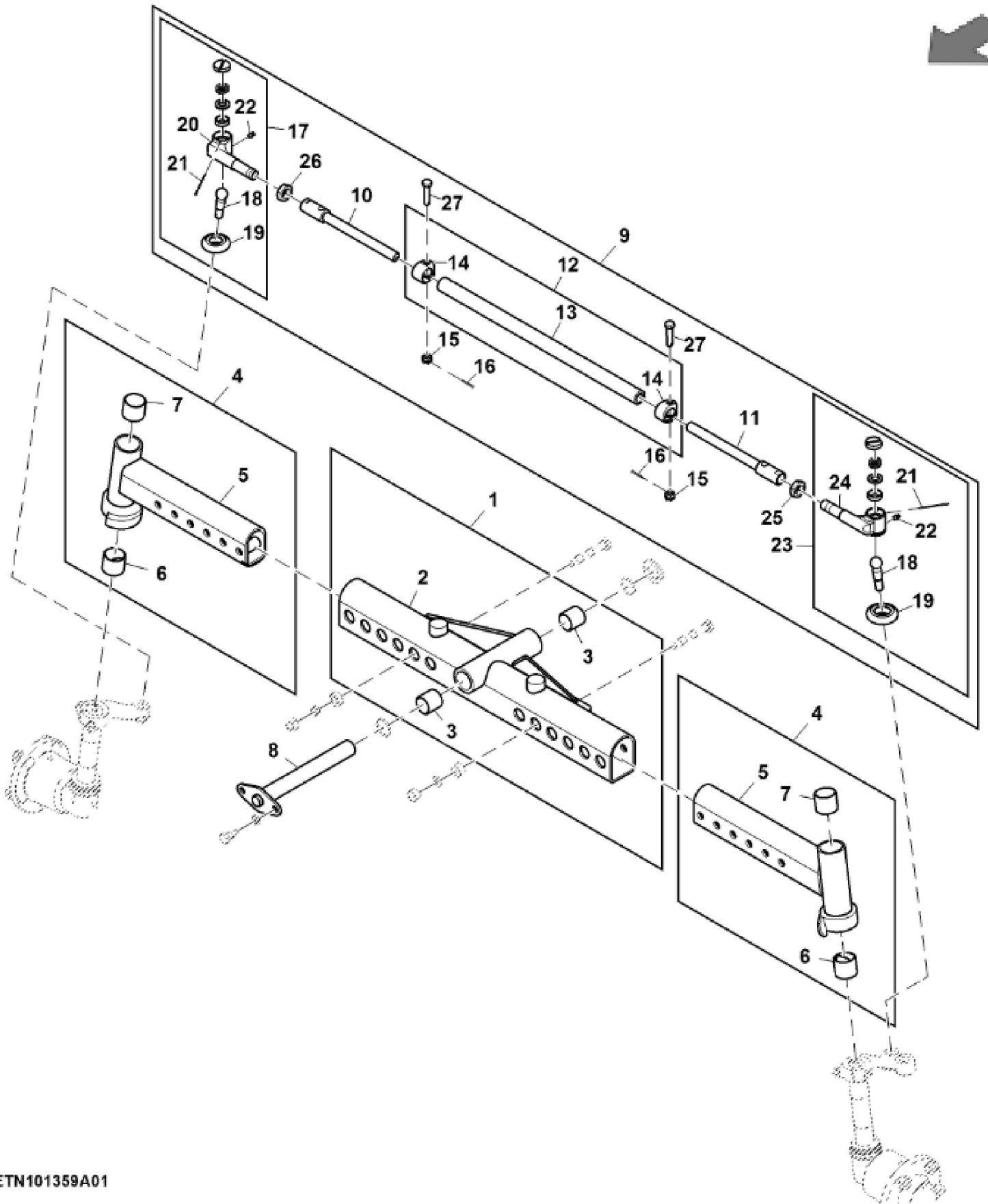
KEY	PART NO.	PART NAME	QTY	REMARKS	
1	SU328170	BOLT	10		
2	SU318981	LOCK WASHER	10		
3	SJ314392	PIN	1		
4	SU328190	STUD	2		
5	SU328168	BOLT	4		
6	SU318982	LOCK WASHER	14		
7	14M7037	NUT	2	M16	
8	SU326641	MAT	1		
9	SU317834	O-RING	2		
10	SU328937	FRONT AXLE SUPPORT	2		
11	SJ326634	AXLE	1		
12	SU318562	FITTING	1		
13	14M7131	NUT	8	M16	
14	SU314467	SPACER	8		
15	SU323135	BOLT	8		



KEY	PART NO.	PART NAME	QTY	REMARKS
1	SJ326636	SLEEVE FITTING	1	
2	SJ314393	AXLE KNEE	2	
3	SU318562	FITTING	2	
4	SU317872	O-RING	2	
5	19M10105	SCREW	6	M6 X 12
6	SJ326635	SLEEVE FITTING	1	
7	SU318506	BEARING	2	
8	SU318989	LOCK WASHER	6	
9	SU317846	SEAL	2	
10	SU314462	SEAL	2	
11	SU321976	KEY	2	
12	SU321491	COVER	2	
13	SU314475	HOLDER	2	
14	SU318558	SEAL	4	
15	SU314473	WASHER	2	
16	SU318502	BEARING	2	
17	SU314472	BOLT	10	
18	SU314464	HUB	2	
19	SU314791	LOCK NUT	10	
20	SU318563	FITTING	2	
21	SU318501	BEARING	2	
22	SU314746	WASHER	2	
23	11M7029	COTTER PIN	2	5 X 36 mm
24	SU318959	NUT	2	
25	SU321492	GASKET	2	



KEY	PART NO.	PART NAME	QTY	REMARKS	
1	11M7022	COTTER PIN	2	4 X 28 mm	
2	SU318955	NUT	2		
3	24M7053	WASHER	2	17 X 30 X 3 mm	
4	SU314466	ARM	1		
5	SU317919	BOLT	2		
6	SU321978	NUT	2		
7	SU328167	PIN	2		
8	14M7131	NUT	1	M16	
9	14M7512	NUT	2	M12	
10	SU318980	LOCK WASHER	2		
11	19M8767	SCREW	2	M12 X 75	
12	SJ323122	ROD	1		
13	SU318741	NUT	1		
14	SJ319524	LINK	1		
15	SJ315082	LINK	1		
16	SU327133	ARM	1		
17	SJ315083	BALL JOINT	1		
18	SJ314623	BALL JOINT	1		



ETN101359A01

Thank you so much for reading.
Please click the “Buy Now!”
button below to download the
complete manual.



After you pay.

You can download the most
perfect and complete manual in
the world immediately.

Our support email:

ebooklibonline@outlook.com