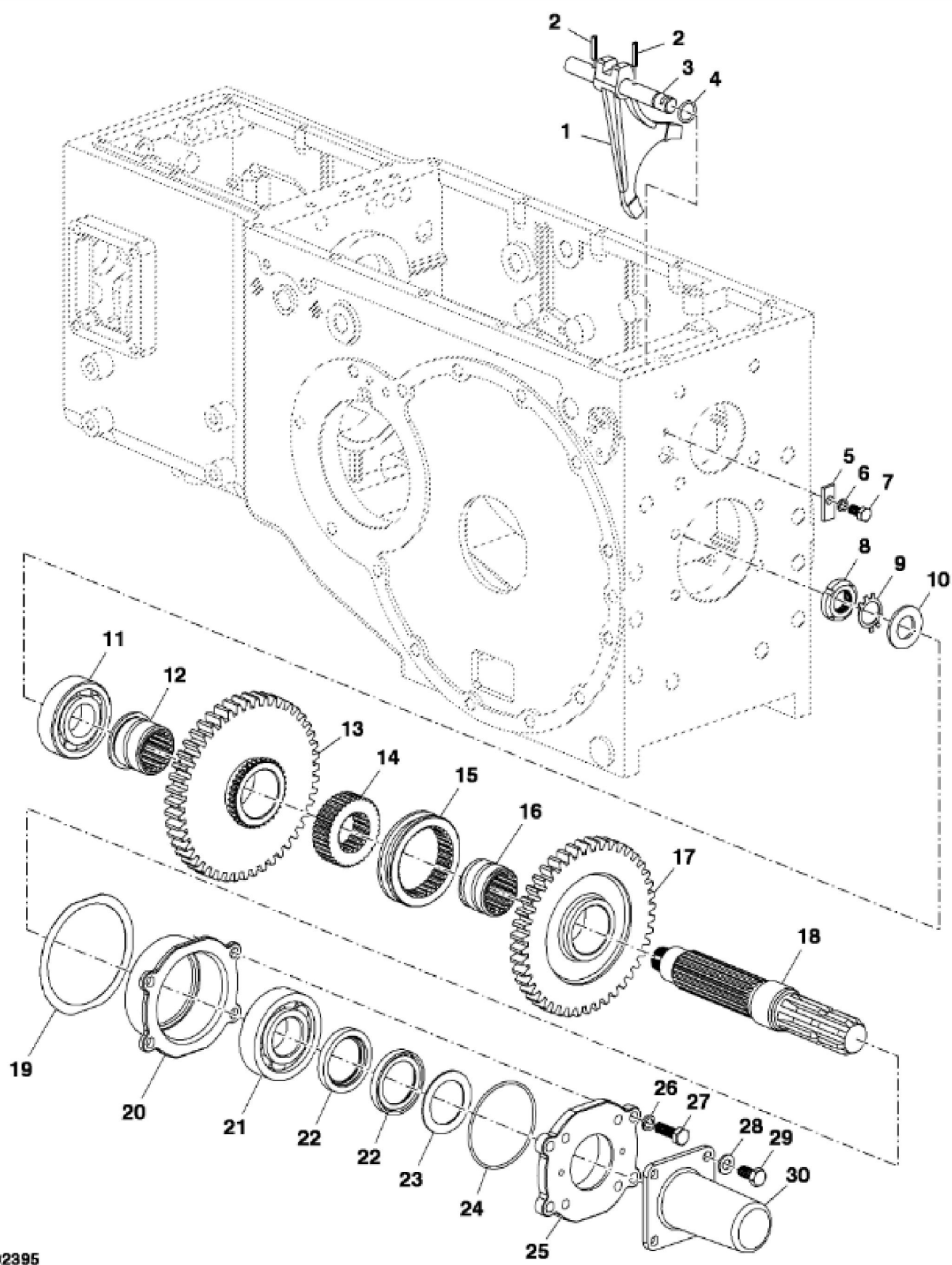
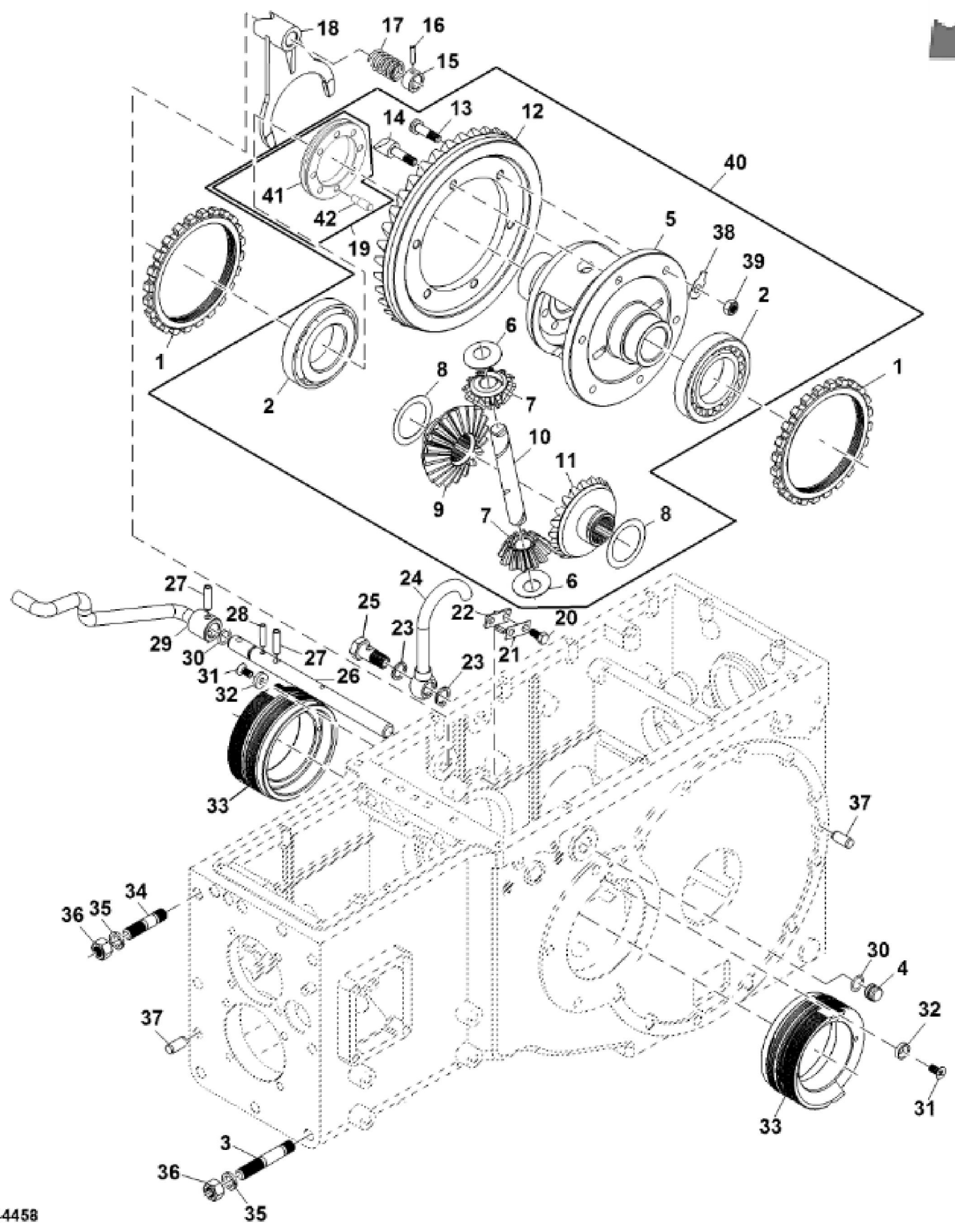


KEY	PART NO.	PART NAME	QTY	REMARKS	
1	SU318756	NUT	3		
2	SU317820	LOCK WASHER	2		
3	SU315978	WASHER	2		
4	SU315842	SHAFT	1	ORDER SJ26099	
5	SU318492	BEARING	2		
6	19M7168	CAP SCREW	12	M10 X 30	
7	SU318979	LOCK WASHER	20		
8	SU316058	BEARING HOUSING W/O BEARING	1		
9	SU316064	SHIM	1	0.1 MM	
9	SU316065	SHIM	1	0.2 MM	
9	SU316070	SHIM	1	0.5 MM	
10	SU316043	WASHER	1		
11	SU323946	BOLT	2		
12	SU316032	LOCK NUT	1		
13	SU316041	BUSHING	1		
14	SU316033	GEAR	1		
15	SU315969	SHIFT COLLAR CARRIER	1		
16	SU35164	GEAR	1		
17	SU315966	GEAR	1		
18	SU315967	BUSHING	1		
19	SU315841	GEAR	1		
20	SU320059	BEARING	3		
21	SU315850	GEAR	1		
22	SU315847	BUSHING	1		
23	SU315971	SHIFT COLLAR	1		
24	SU315846	GEAR	1		
25	SU315845	BUSHING	1		
26	SU315843	WASHER	1		
27	SU318486	BEARING	1		



KEY	PART NO.	PART NAME	QTY	REMARKS
1	SU315488	FORK	1	
2	34M7031	SPRING PIN	2	5 X 24 mm
3	SU315615	SHAFT	1	
4	SU317886	O-RING	1	
5	SU327062	PLATE	1	
6	SU318990	LOCK WASHER	1	
7	19M7162	CAP SCREW	1	M8 X 16
8	SU318756	NUT	1	
9	SU317820	LOCK WASHER	1	
10	SU315978	WASHER	1	
11	SU318287	BEARING	1	
12	SU316040	BUSHING	1	
13	SU315982	GEAR	1	
14	SU316039	SHIFT COLLAR CARRIER	1	
15	SU315611	SHIFT COLLAR	1	
16	SU315849	BUSHING	1	
17	SU315987	GEAR	1	
18	SU315851	SHAFT	1	
19	SU321658	GASKET	1	
20	SU315984	BEARING CUP	1	
21	SU318289	BEARING	2	
22	SU317845	SEAL	2	
23	SU315133	WASHER	1	
24	SU317841	O-RING	1	
25	SU315986	BEARING CUP	1	
26	SU318979	LOCK WASHER	4	
27	19M7168	CAP SCREW	4	M10 X 30
28	24M7028	WASHER	4	10.500 X 20 X 2 mm
29	SU318717	BOLT	8	
30	SU314813	COVER	1	



N4244458

Thank you so much for reading.
Please click the “Buy Now!”
button below to download the
complete manual.



After you pay.

You can download the most
perfect and complete manual in
the world immediately.

Our support email:

ebooklibonline@outlook.com