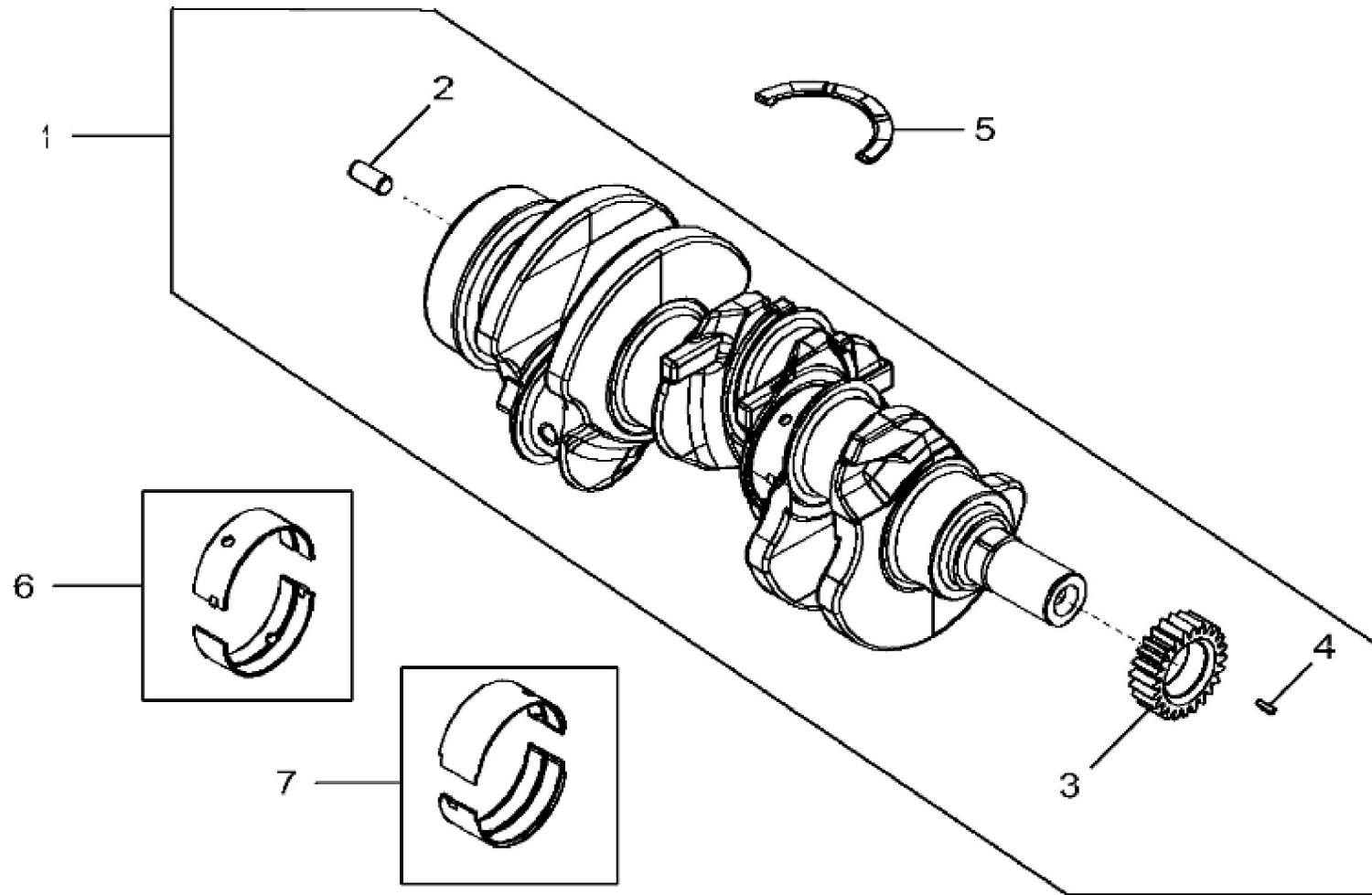


- 4655 CYLINDER BLOCK

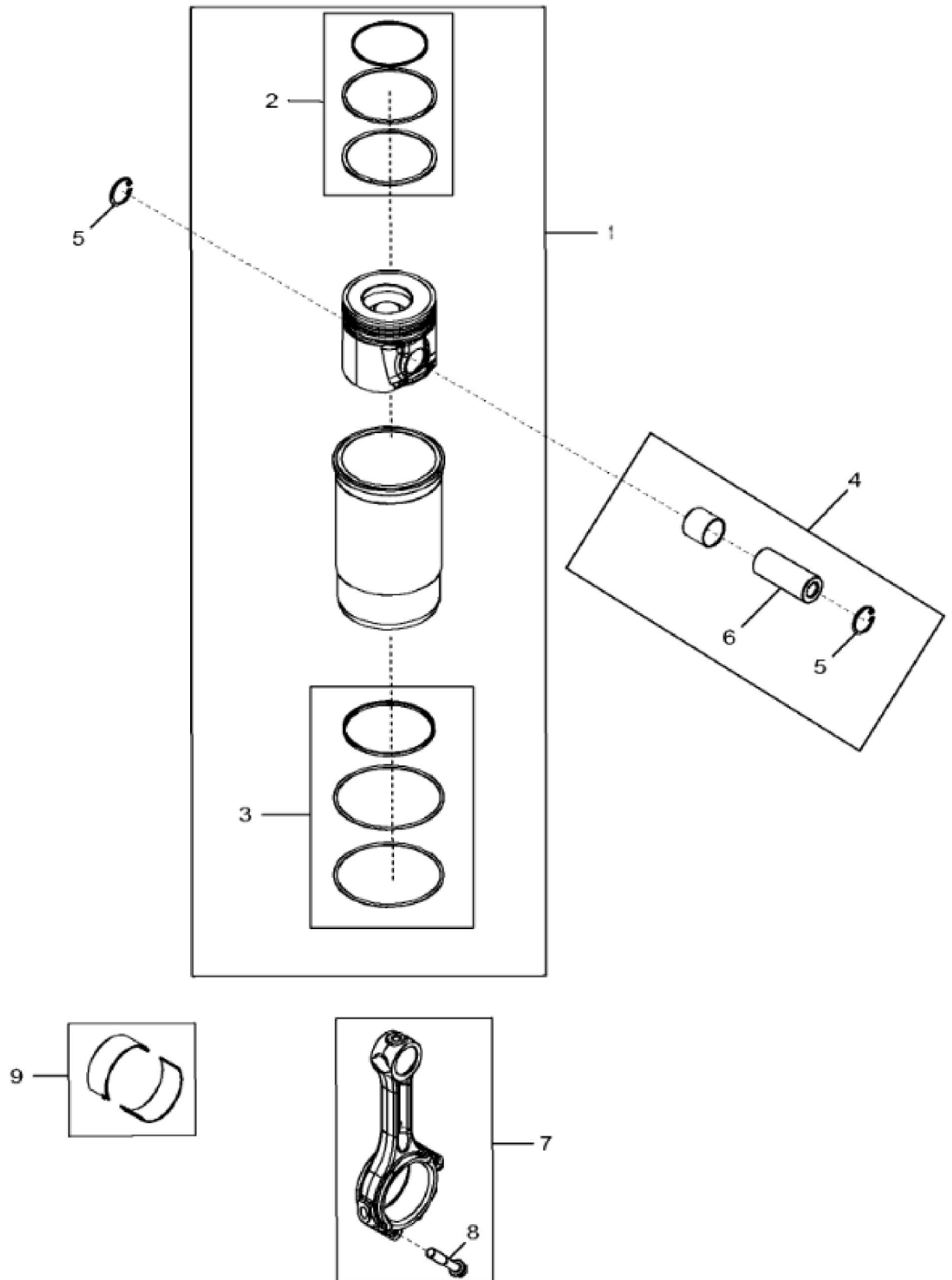
KEY	PART NO.	PART NAME	QTY	REMARKS
1	R502260	CYLINDER LINER	3	
2	R515306	O-RING	3	
3	R515466	O-RING	3	
4	CYLINDER BLOCK	1	ORDER RE544677
5	15H584	PIPE PLUG	1	1/2"
6	R48685	DOWEL PIN	4	
7	R26493	BUSHING	1	
8	15H695	PIPE PLUG	1	3/8"
9	RE42713	PIPE PLUG	2	
10	15H685	PIPE PLUG	1	1/4"
11	R65214	BEARING CAP	1	
12	R121043	VALVE	1	
13	R65215	BEARING CAP	3	
14	T20168	WASHER	8	
15	R528387	CAP SCREW	8	SUB FOR T23474
16	R26650	DOWEL PIN	2	
17	R97185	O-RING	1	
18	R119874	BUSHING	1	
19	T18891	PLUG	2	
20	T23435	THREADED NIPPLE	1	
21	R54802	ORIFICE	3	
22	RE540035	CAMSHAFT	1	
23	26H72	SHAFT KEY	1	1/8" X 5/8"
24	T20072	PLATE	1	
25	19H2676	CAP SCREW	2	3/8" X 1"
26	R516126	PACKING	3	
..	15H562	PIPE PLUG	1	1"
..	R503793	GEAR	1	



4713_RE507623_PCD

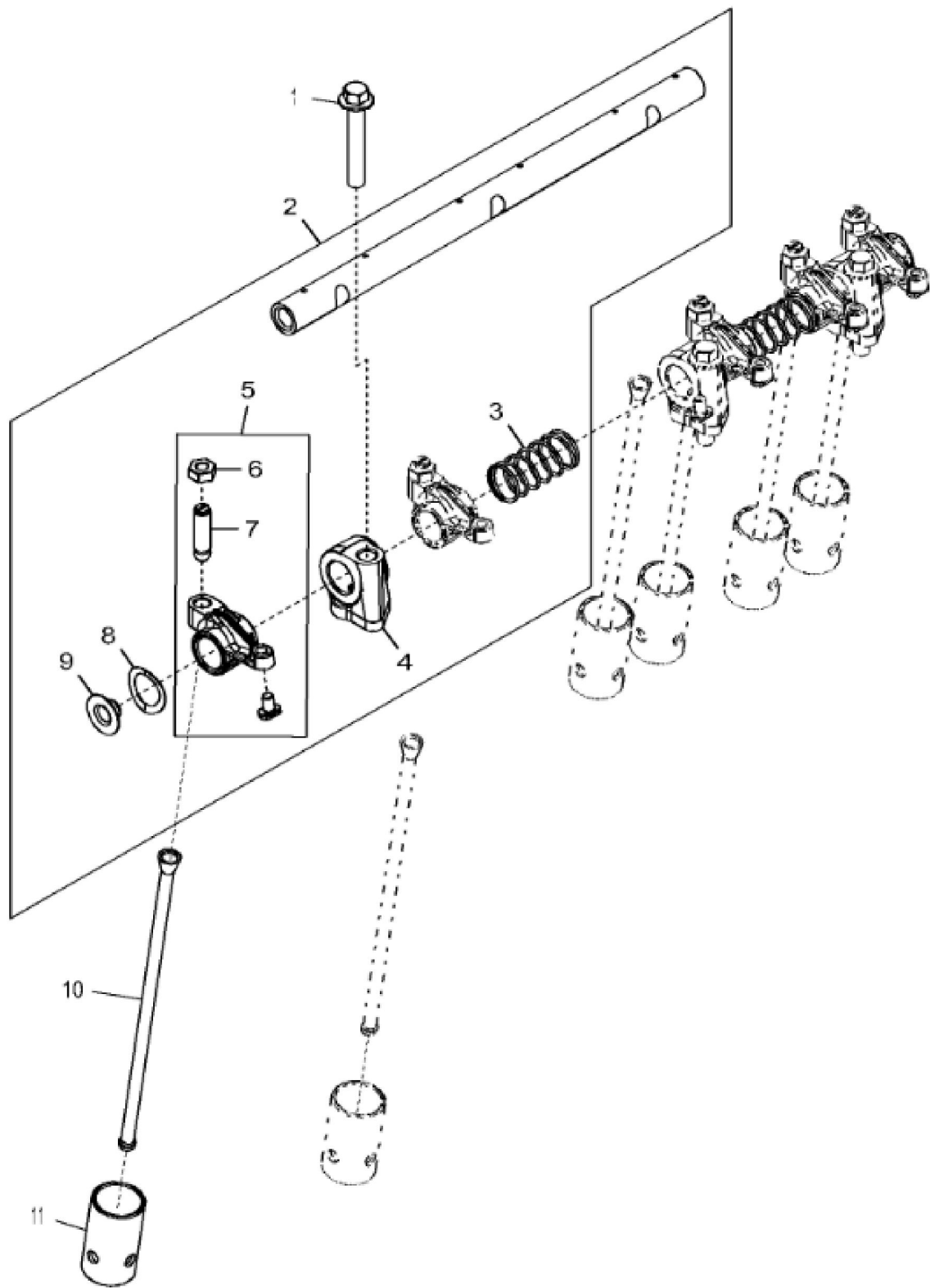
- 4713 CRANKSHAFT AND BEARINGS

KEY	PART NO.	PART NAME	QTY	REMARKS	
1	RE521348	CRANKSHAFT	1	(With Bearings) SUB FOR RE50979; KIT	
1	SE501652	CRANKSHAFT REMAN	1	(With Bearings) (With Spur Timing Gears) REMAN FOR RE521348	
1	SE501653	CRANKSHAFT REMAN	1	(With Bearings) (With Helical Timing Gears) REMAN FOR RE521348	
1	RE502385	CRANKSHAFT	1	(For India Market Only) MARKED R542963	
2	A120R	DOWEL PIN	1		
3	R538912	GEAR	1	SUB FOR R100850 OR R504262	
4	26H72	SHAFT KEY	1	1/8" X 5/8"	
5	R516362	THRUST WASHER	3		
6	AT21140	BEARING	3		
7	RE57279	BEARING KIT	1		



- 4845 CONNECTING RODS AND PISTONS

KEY	PART NO.	PART NAME	QTY	REMARKS	
1	RE544675	PISTON-LINER KIT	3		
2	RE521814	PISTON RING KIT	1		
3	RE525162	O-RING KIT	1		
4	RE562923	PIN KIT	3		
5	40M1856	SNAP RING	6		
6	RE68540	CONNECTING ROD	3	SUB FOR R130145	
7	RE507799	CONNECTING ROD	3		
8	R516517	SCREW	2		
8	R80033	CAP SCREW	2	(For India Market Only)	
9	RE27348	BEARING KIT	3		



Thank you so much for reading.
Please click the “Buy Now!”
button below to download the
complete manual.



After you pay.

You can download the most
perfect and complete manual in
the world immediately.

Our support email:

ebooklibonline@outlook.com