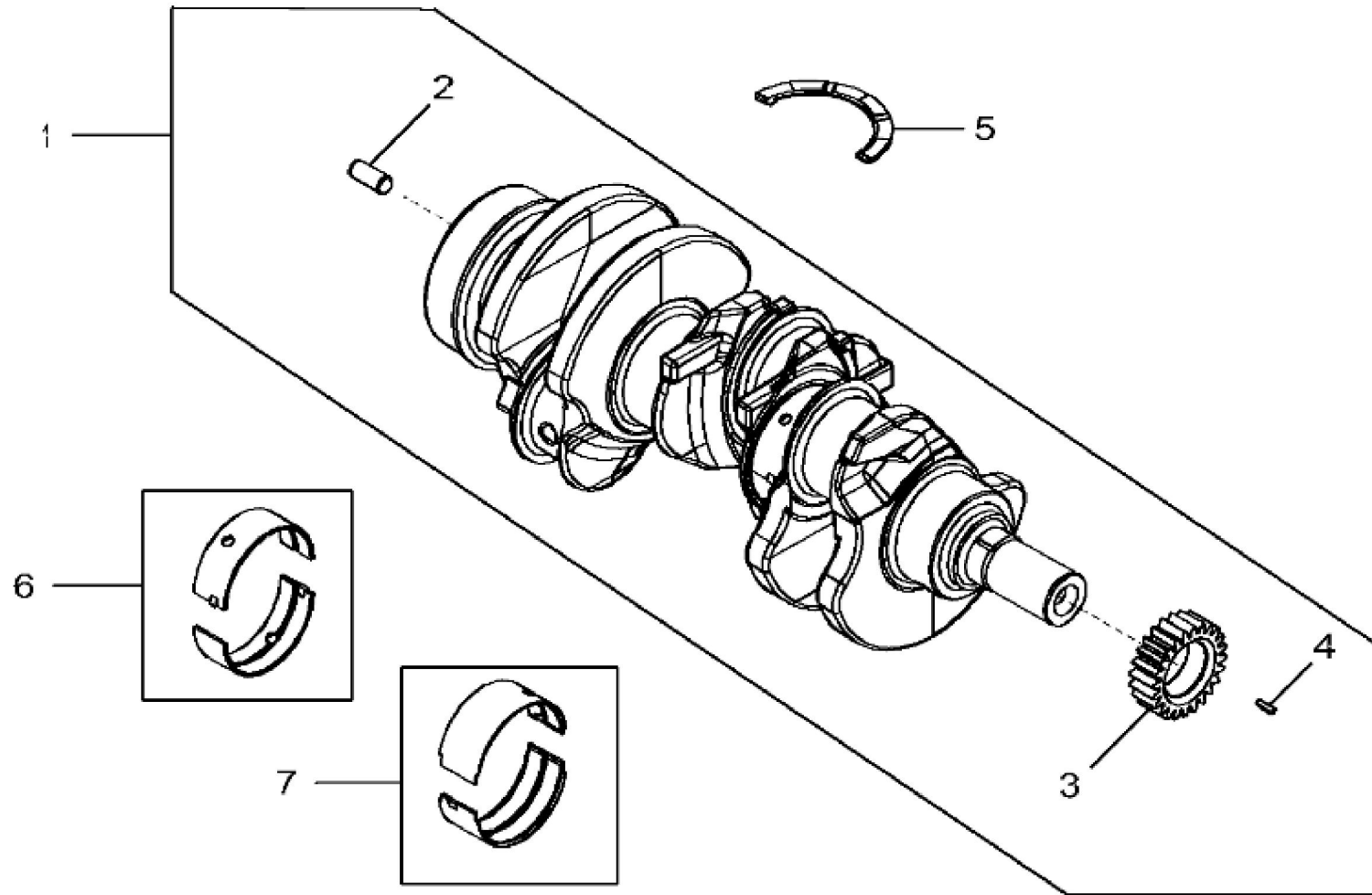


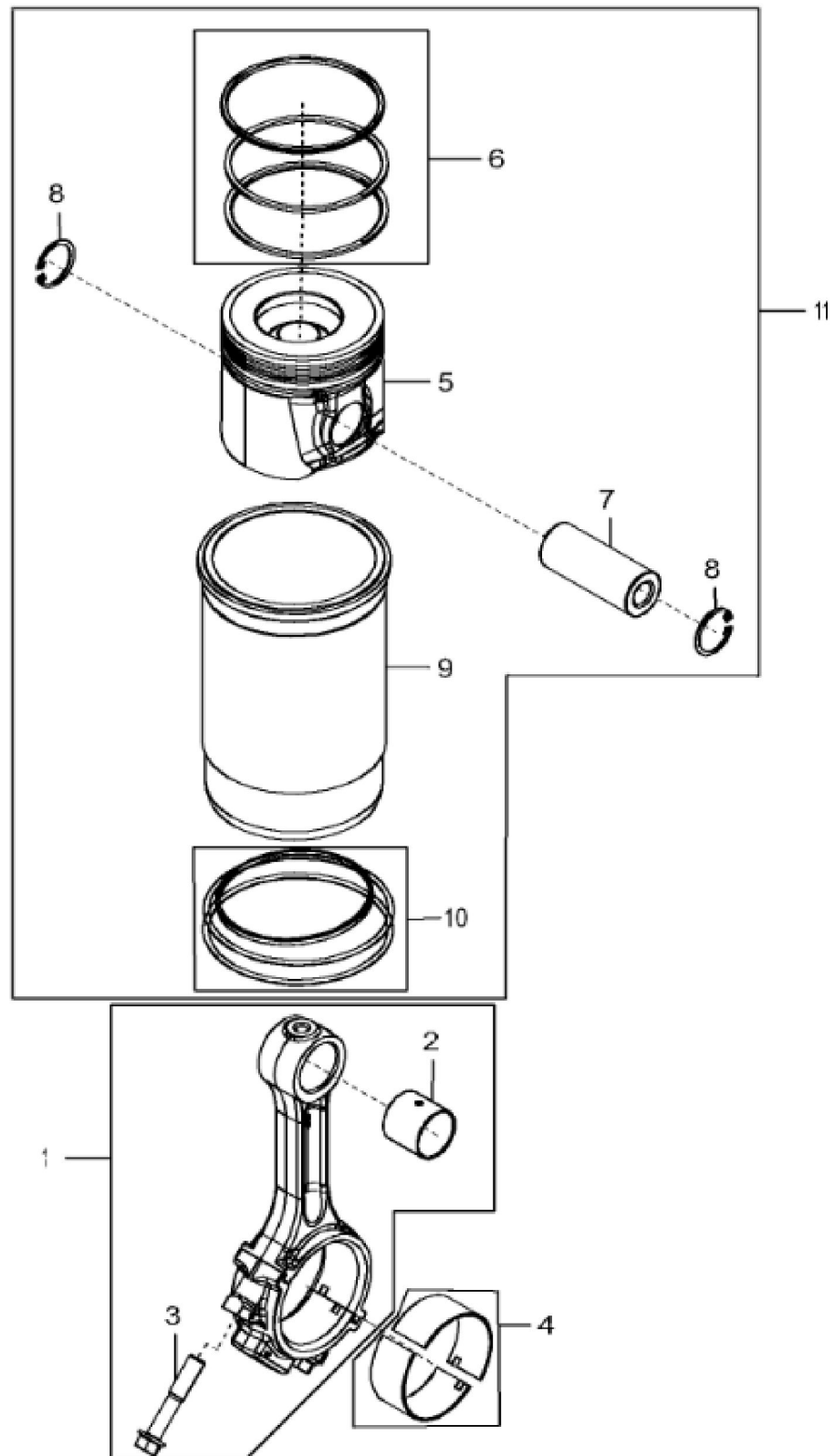
| KEY | PART NO. | PART NAME | QTY | REMARKS |
|-----|----------|-----------------|-----|--|
| 1 | R515466 | O-RING | 3 | |
| 2 | R48767 | PACKING | 3 | |
| 3 | R502260 | CYLINDER LINER | 3 | |
| 4 | R515306 | O-RING | 3 | |
| 5 | R54802 | ORIFICE | 3 | |
| 6 | T18891 | PLUG | 2 | |
| 7 | R121043 | VALVE | 1 | |
| 8 | R111137 | SPRING | 1 | |
| 9 | R97185 | O-RING | 1 | |
| 10 | D2361R | BALL | 1 | |
| 11 | R26650 | DOWEL PIN | 2 | |
| 12 | R26493 | BUSHING | 1 | |
| 13 | 15H275 | PIPE PLUG | 1 | 1/4" |
| 14 | 15H237 | PIPE PLUG | 1 | 1/2" |
| 15 | RE71255 | PIPE PLUG | 2 | |
| 16 | RE535328 | CAMSHAFT | 1 | |
| 17 | 26H72 | SHAFT KEY | 1 | 1/8" X 5/8" |
| 18 | 19H2676 | CAP SCREW | 2 | 3/8" X 1" |
| 19 | T20072 | PLATE | 1 | |
| 20 | T23435 | THREADED NIPPLE | 1 | |
| 21 | RE507807 | PIPE PLUG | 1 | |
| 22 | 15H695 | PIPE PLUG | 1 | 3/8" |
| 23 | | CAP | 3 | ORDER PY0591 |
| 24 | | CAP | 1 | ORDER PY0591 |
| 25 | T20168 | WASHER | 8 | |
| 26 | T23474 | CAP SCREW | 8 | |
| 27 | R48685 | DOWEL PIN | 4 | |
| 28 | 15H562 | PIPE PLUG | 1 | 1" |
| 29 | PY0591 | CYLINDER BLOCK | 1 | MARKED R502385; INCLUDES R48685, RE507807, 15H653 AND 15H695 |



4713_RE507623_PCD

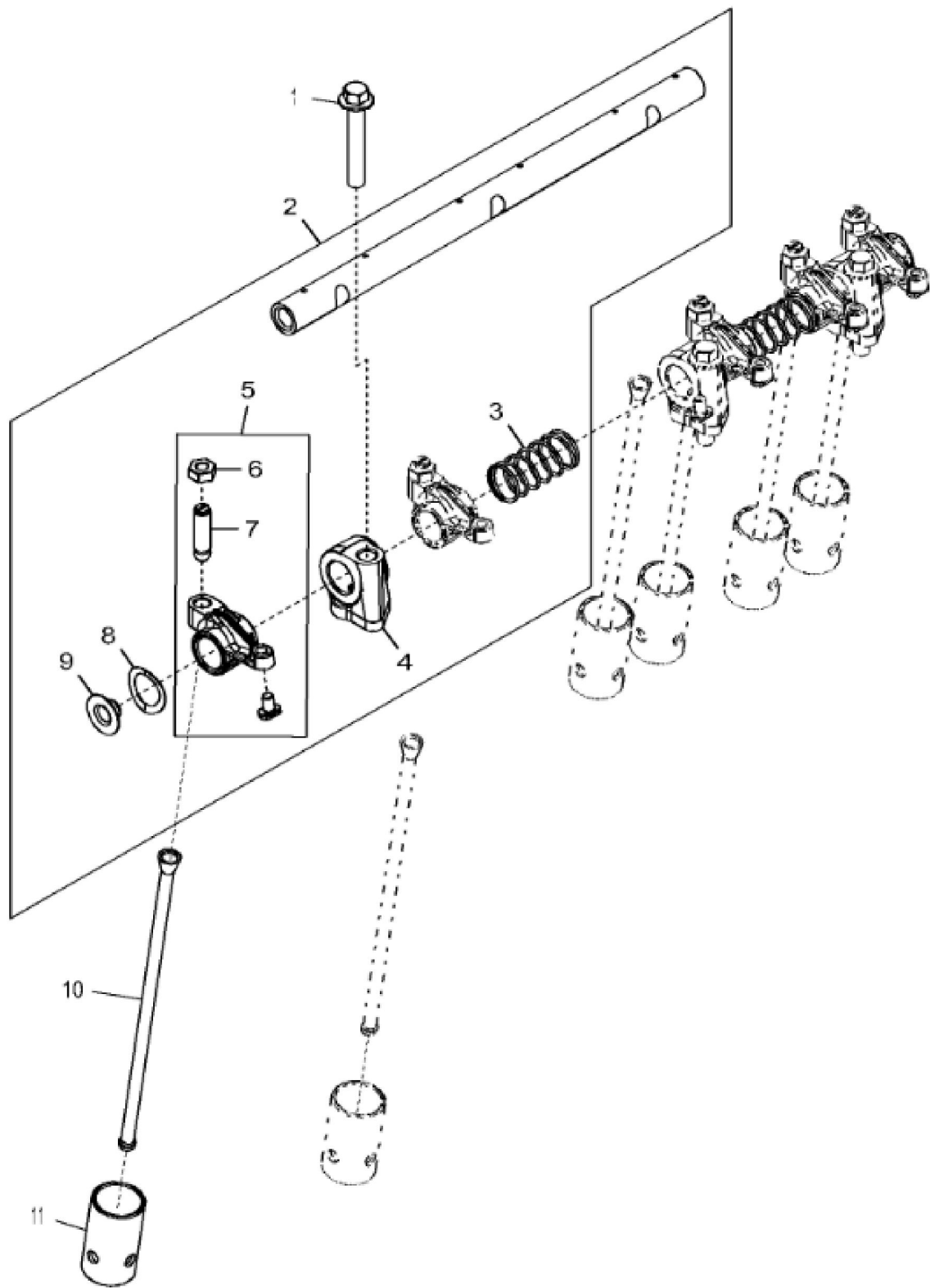
John Deere > Turf And Utility >TRACTOR >3029DPY33 - TRACTOR >5038D Tractor (TREM3A) (S.N. 009921-)(India Edition) >20 ENGINE 3029DPY23-RE541552 >ST451020 - 4713 CRANKSHAFT AND BEARINGS

| KEY | PART NO. | PART NAME | QTY | REMARKS |
|-----|----------|------------------|-----|--|
| 1 | RE521348 | CRANKSHAFT | 1 | (With Bearings) SUB FOR RE50979; KIT |
| 1 | SE501652 | CRANKSHAFT REMAN | 1 | (With Bearings) (With Spur Timing Gears) REMAN FOR RE521348 |
| 1 | SE501653 | CRANKSHAFT REMAN | 1 | (With Bearings) (With Helical Timing Gears) REMAN FOR RE521348 |
| 1 | RE502385 | CRANKSHAFT | 1 | (For India Market Only) MARKED R542963 |
| 2 | A120R | DOWEL PIN | 1 | |
| 3 | R538912 | GEAR | 1 | SUB FOR R100850 OR R504262 |
| 4 | 26H72 | SHAFT KEY | 1 | 1/8" X 5/8" |
| 5 | R516362 | THRUST WASHER | 3 | |
| 6 | AT21140 | BEARING | 3 | |
| 7 | RE57279 | BEARING KIT | 1 | |



John Deere > Turf And Utility >TRACTOR >3029DPY33 - TRACTOR >5038D Tractor (TREM3A) (S.N. 009921-)(India Edition) >20 ENGINE 3029DPY23-RE541552 >ST451033 - 4854 CONNECTING RODS AND PISTONS

| KEY | PART NO. | PART NAME | QTY | REMARKS |
|-----|----------|------------------|-----|----------------------|
| 1 | RE507799 | CONNECTING ROD | 3 | |
| 2 | R504300 | BUSHING | 1 | |
| 3 | R516517 | SCREW | 2 | |
| 4 | RE27348 | BEARING KIT | 3 | INCLUDES (2) R516361 |
| 5 | RE543121 | PISTON | 3 | |
| 6 | RE521814 | PISTON RING KIT | 3 | |
| 7 | R130145 | PISTON PIN | 3 | |
| 8 | 40M1856 | SNAP RING | 6 | |
| 9 | R502260 | CYLINDER LINER | 1 | |
| 10 | RE525162 | O-RING KIT | 3 | |
| 11 | RE545964 | PISTON-LINER KIT | 3 | |



Thank you so much for reading.
Please click the “Buy Now!”
button below to download the
complete manual.



After you pay.

You can download the most
perfect and complete manual in
the world immediately.

Our support email:

ebooklibonline@outlook.com