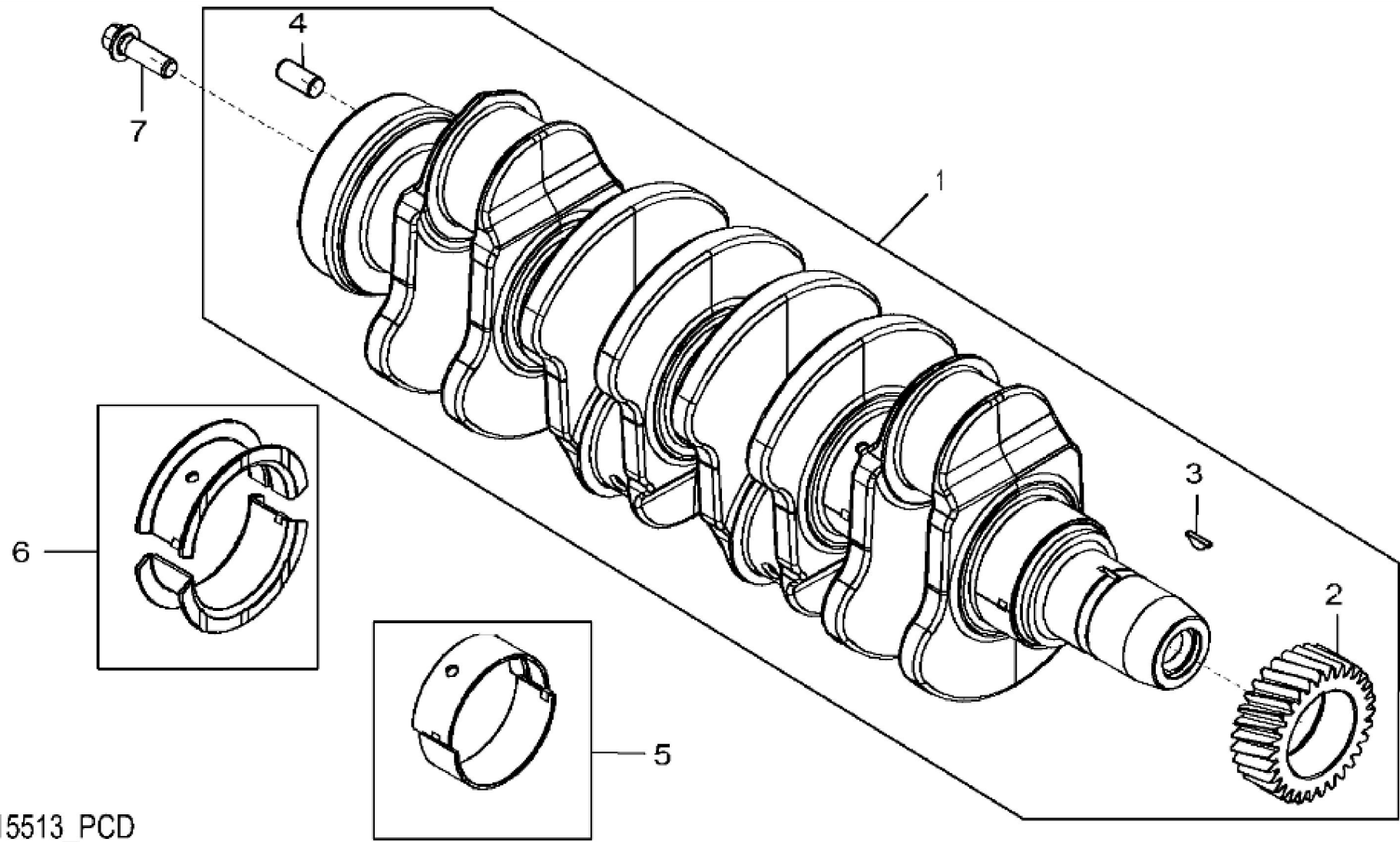


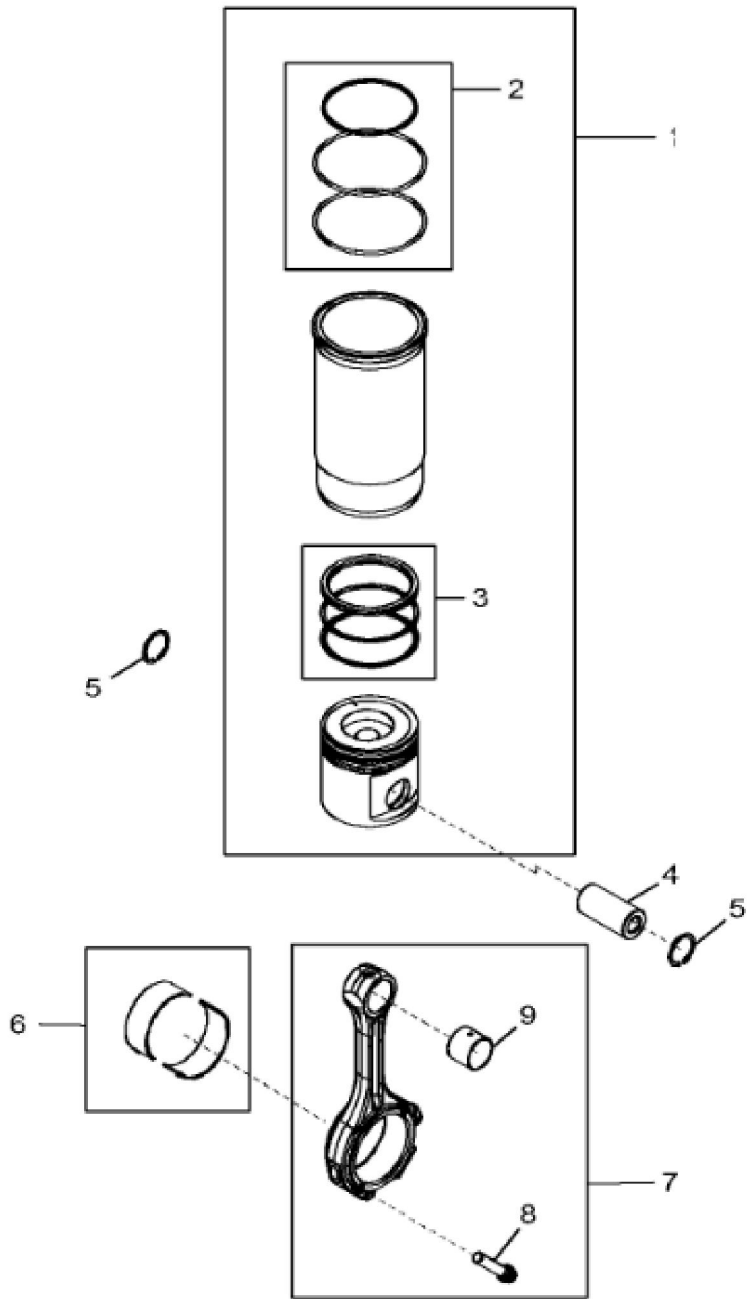
RE71548PCDD03

KEY	PART NO.	PART NAME	QTY	REMARKS
1	RE56375	CAMSHAFT	1	
1	SE501624	CAMSHAFT REMAN	1	REMAN FOR RE56375
2	R133303	SHAFT KEY	1	
3	R116466	PLUG	1	
4	R132518	PLATE	1	
5	19M7867	SCREW	2	M8 X 25
6	R26650	DOWEL PIN	2	
7	T18891	PLUG	2	
8	R119874	BUSHING	1	
9	COMPRESSION SPRING	1	ORDER RE505501
10	RE505501	BLEED VALVE	1	
11	R121043	VALVE	1	
12	R111137	SPRING	1	
13	R115299	BUSHING	6	
14	T23474	CAP SCREW	10	
15	T20168	WASHER	10	
16	R114241	BEARING CAP	4	
17	R115390	BUSHING	1	
18	R75892	O-RING	1	
19	15H695	PIPE PLUG	1	3/8"
20	RE508185	FITTING	2	INCLUDES U13639
21	U13639	O-RING	1	
22	R48685	DOWEL PIN	4	
23	R131182	ORIFICE	4	
24	R26493	BUSHING	1	
25	R132186	BEARING CAP	1	
26	15H584	PIPE PLUG	1	1/2"
27	RE507807	PIPE PLUG	1	
28	RE71255	PIPE PLUG	1	
29	CYLINDER BLOCK	1	MARKED R534787

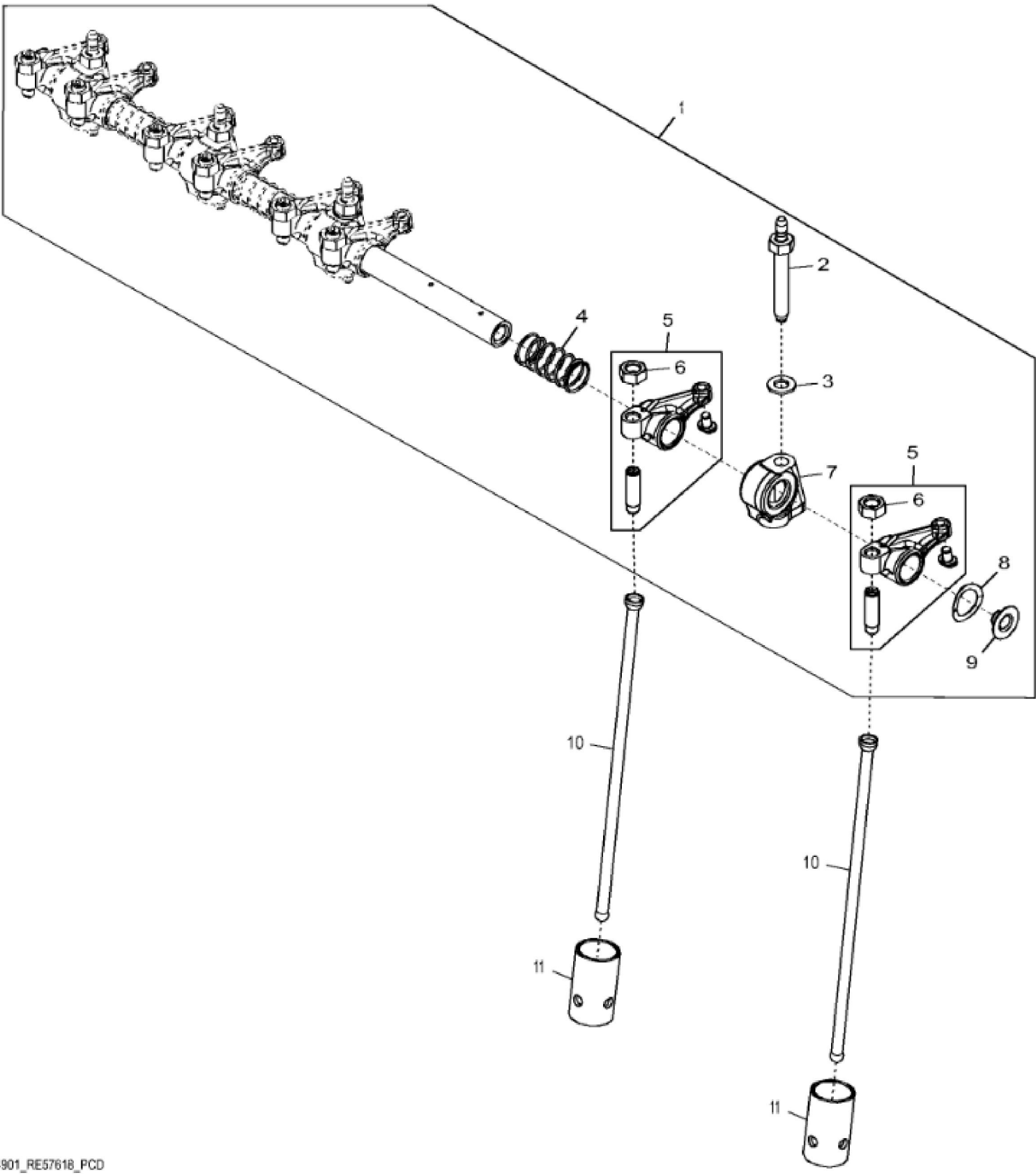


4715_RE515513_PCD

KEY	PART NO.	PART NAME	QTY	REMARKS	
1	RE506195	CRANKSHAFT	1	(Grinding Guidelines : See CTM104) (Iron) ALSO ORDER RE538097 AND RE44574	
1	SE501656	CRANKSHAFT REMAN	1	(With Bearings) REMAN FOR RE506195	
2	R120631	GEAR	1	Z = 30	
3	R505609	SHAFT KEY	1		
4	A120R	DOWEL PIN	1		
5	RE65165	BEARING KIT	4	STD KIT, MARKED R123561 AND R123562	
5	RE65911	BEARING	1	US -0.254 MM , MARKED R130576 AND R130577	
6	RE65168	BEARING KIT	1	STD KIT, MARKED R123563 AND R123564	
6	RE65912	THRUST BEARING	1	US -0.254MM , MARKED R130576 AND R130577	
7	R135918	BOLT	4		



KEY	PART NO.	PART NAME	QTY	REMARKS	
1	RE520835	PISTON-LINER KIT	4		
2	AR65507	O-RING KIT	4	PKG (3)	
3	RE66271	PISTON RING KIT	4	PKG (3)	
4	R123178	PISTON PIN	4		
5	M41029	SNAP RING	8		
6	RE65908	BEARING	8		
7	RE500002	CONNECTING ROD	4		
7	SE501096	CONNECTING ROD REMAN	1	REMAN FOR RE500002	
8	R501124	SCREW	2		
9	R123960	BUSHING	1		



Thank you so much for reading.
Please click the “Buy Now!”
button below to download the
complete manual.



After you pay.

You can download the most
perfect and complete manual in
the world immediately.

Our support email:

ebooklibonline@outlook.com