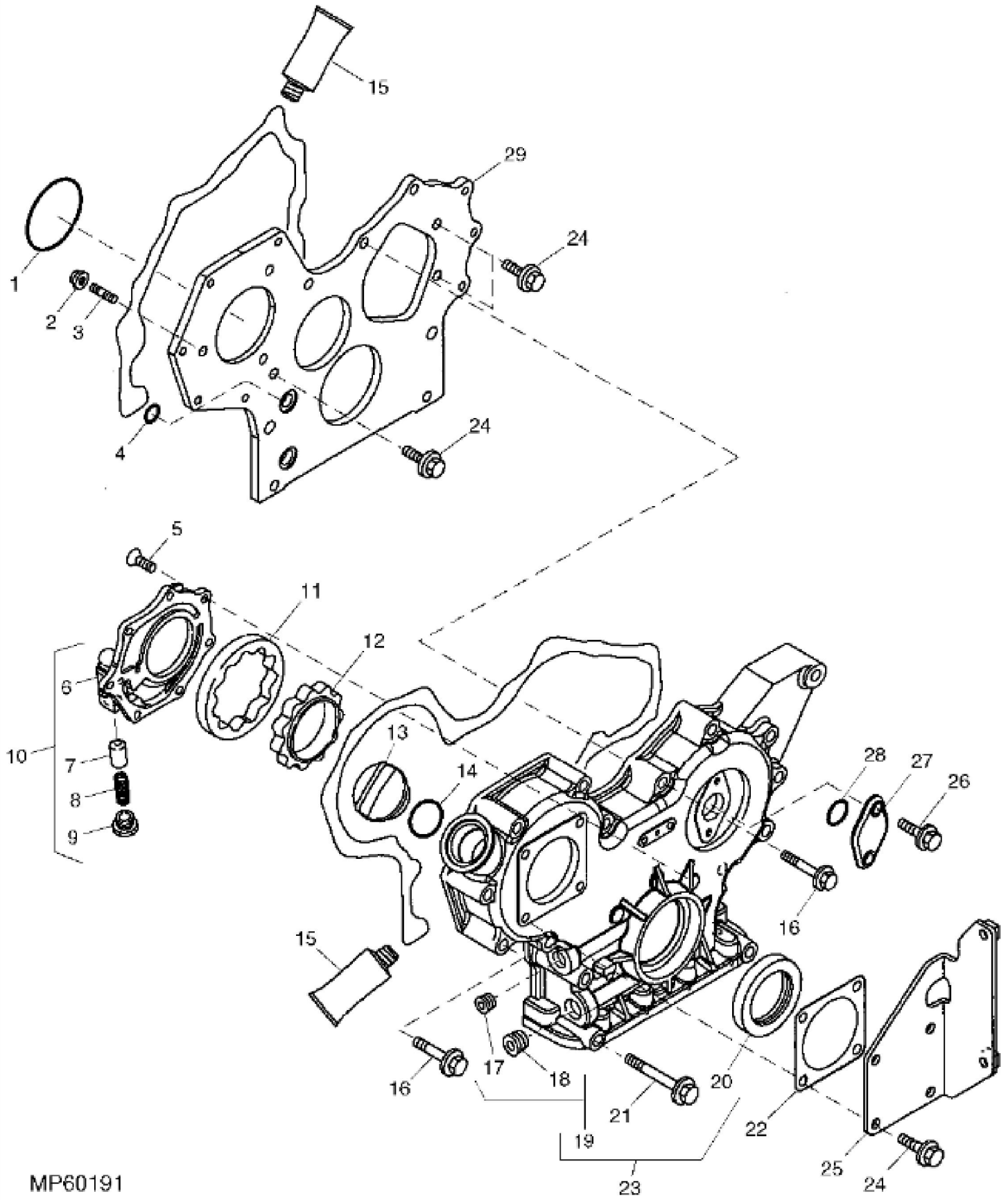


MP60190

John Deere > Turf And Utility > MOWER, FAIRWAY > 3225C - MOWER, FAIRWAY > 3225C Lightweight Fairway Mower (Worldwide Edition) > 21 ENGINE 3TNV84 TCA14030 > ST604870 - CYLINDER BLOCK AND MAIN BEARINGS

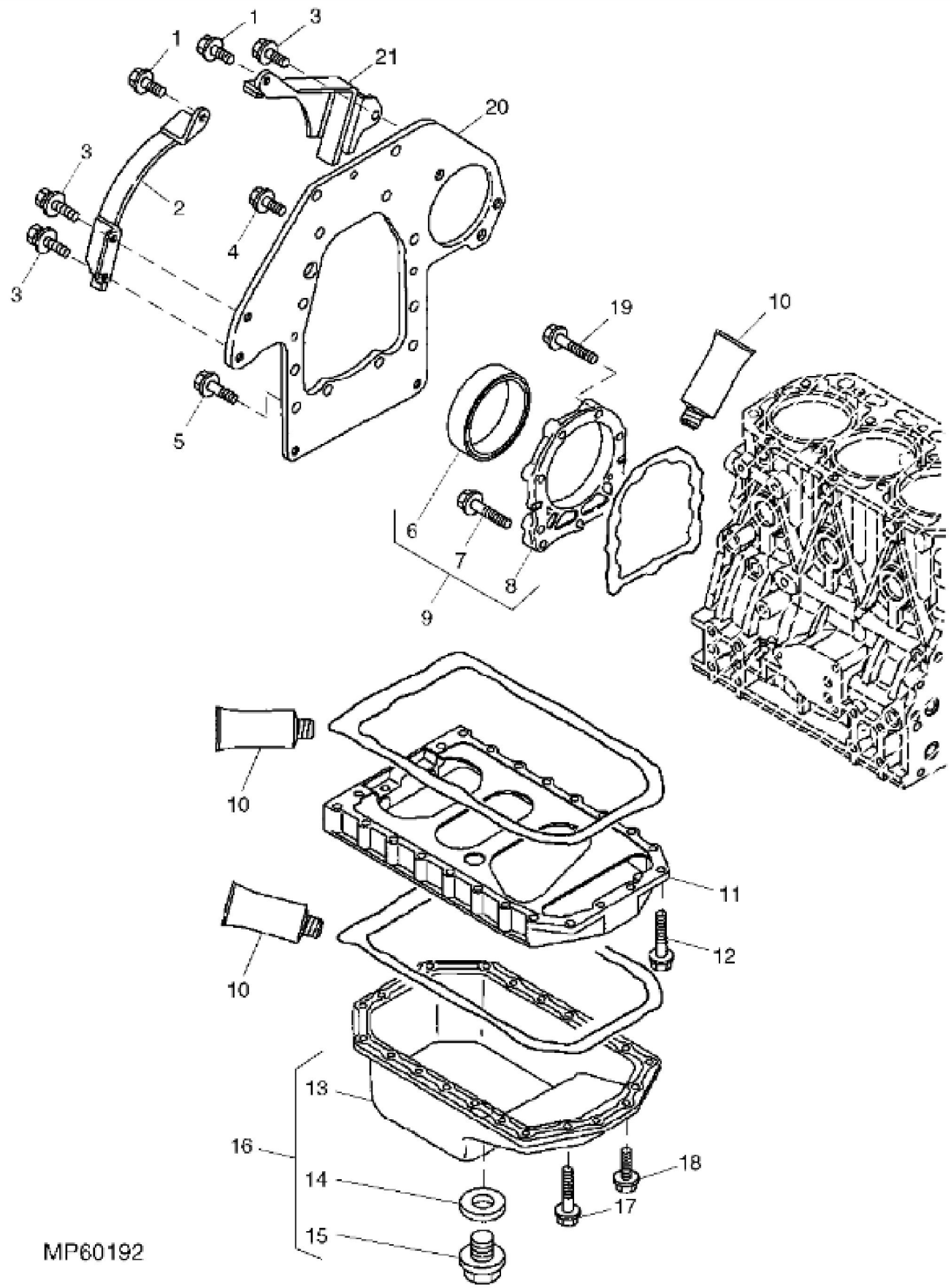
KEY	PART NO.	PART NAME	QTY	REMARKS
1	M801186	BOLT	14	
2	CH18079	SPRING PIN	2	
3	PLUG	1	
4	30M7023	PLUG	6	
5	CH10335	PLUG	3	
6	M802255	PIN	4	
7	M811084	SPACER	1	
8	CH10314	PLUG	1	
9	BEARING CAP	3	
10	AM875373	BEARING KIT	2	STD
10	BEARING	2	0.25 MM (0.010 INCH) US
11	AM875371	BEARING KIT	4	STD
11	MIA880550	BEARING	4	0.25 MM (0.010 INCH) US, (SUB FOR AM875374)
12	BEARING CAP	1	
13	M801189	BOLT	8	
14	M800974	PIPE	2	
15	M87801	PLUG	2	
16	19M8317	SCREW	3	M8 X 40
17	M811055	SHAFT	1	IDLER GEAR
18	MIU800573	CAMSHAFT	1	BUSH, (SUB FOR M800977)
19	15H562	PIPE PLUG	1	1"
20	M806440	ENGINE CYLINDER HEAD GASKET	1	
21	AM882097	CYLINDER BLOCK	1	



MP60191

John Deere > Turf And Utility > MOWER, FAIRWAY > 3225C - MOWER, FAIRWAY > 3225C Lightweight Fairway Mower (Worldwide Edition) > 21 ENGINE 3TNV84 TCA14030 > ST604871 - GEAR CASE AND OIL PUMP

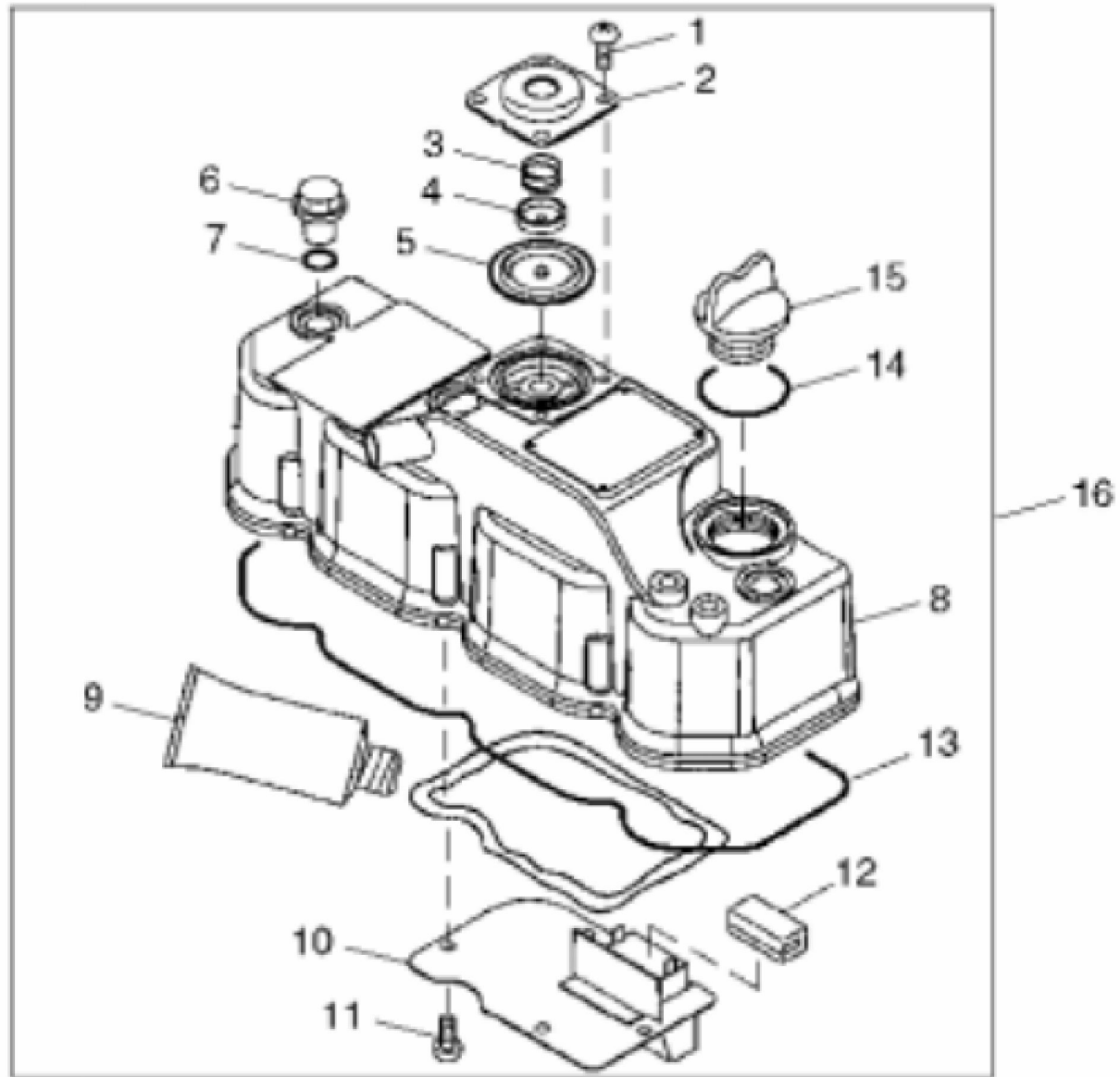
KEY	PART NO.	PART NAME	QTY	REMARKS
1	CH16940	O-RING	1	
2	14M7298	FLANGE NUT	3	M8
3	STUD	3	
4	M810185	O-RING	4	
5	M811061	SCREW	7	
6	M811058	COVER	1	LUBE OIL PUMP (NLA)
7	M811140	PRESSURE RELIEF VALVE	1	NLA
8	RG60607	SPRING	1	
9	PLUG	1	LOW PRESSURE
10	AM881828	COVER	1	LUBE OIL PUMP
11	M811060	ROTOR	1	OUTER
12	M811059	ROTOR	1	INNER
13	M805710	CAP	1	OIL FILL
14	M805711	PACKING	1	
15	M64850	SEALANT	AR	
16	19M7979	SCREW	12	M8 X 55
17	M806938	PLUG	1	
18	LVU800081	PLUG	1	
19	M811040	GEAR CASE	1	
20	M811078	SEAL	1	
21	CH19136	BOLT	3	
22	M805696	GASKET	1	
23	AM881791	GEAR CASE	1	
24	19M7865	SCREW	7	M8 X 16
25	M811421	BRACKET	1	BELT GUARD
26	19M7775	SCREW	2	M6 X 16
27	M87874	COVER	1	
28	CH13526	PACKING	1	
29	M811042	FLANGE	1	GEAR CASE



MP60192

FLANGE AND OIL PAN

KEY	PART NO.	PART NAME	QTY	REMARKS	
1	19M7872	CAP SCREW	2	M12 X 25	
2	M805004	HOUSING	1	FLYWHEEL	
3	CH20044	BOLT	3		
4	M800011	BOLT	6		
5	19M7402	CAP SCREW	4	M10 X 25	
6	M805278	SEAL	1	OIL	
7	19M7897	SCREW	3	M8 X 35	
8	CASE	1	OIL SEAL	
9	AM875375	CASE	1		
10	M64850	SEALANT	AR		
11	M801735	RESERVOIR	1	INTERMEDIATE	
12	19M7865	SCREW	4	M8 X 16	
13	OIL PAN	1		
14	M806545	WASHER	1		
15	M806544	DRAIN PLUG	1		
16	AM878538	OIL PAN	1		
17	CH19101	BOLT	20		
18	19M7867	SCREW	2	M8 X 25	
19	M808308	BOLT	6		
20	M800991	PLATE	1		
21	M805003	HOUSING	1	FLYWHEEL	



MP60194

Thank you so much for reading.
Please click the “Buy Now!”
button below to download the
complete manual.



After you pay.

You can download the most
perfect and complete manual in
the world immediately.

Our support email:

ebooklibonline@outlook.com