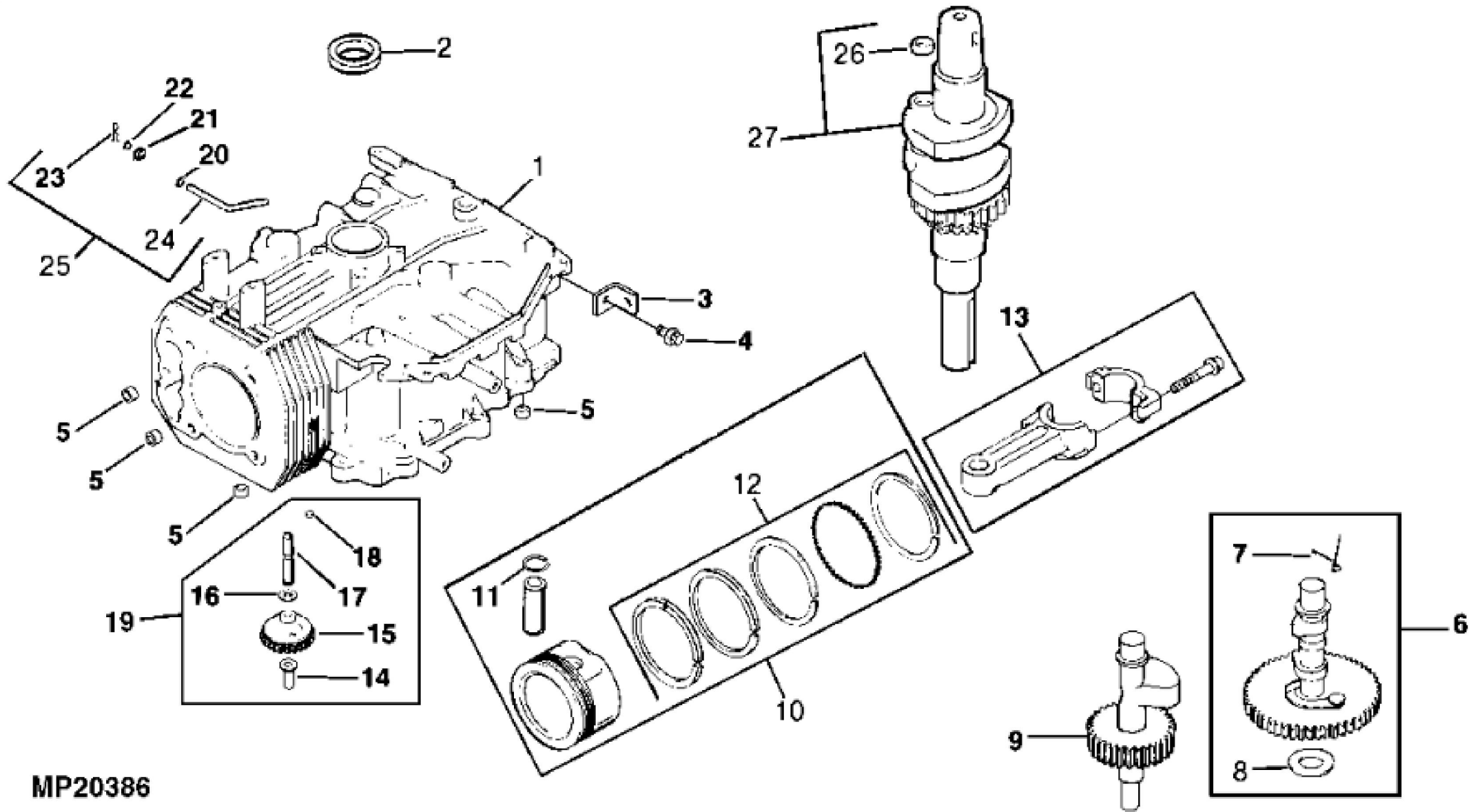


MP25734

KEY	PART NO.	PART NAME	QTY	REMARKS
1	37M7131	SCREW	5	M6 X 20
2	37M7091	SCREW	1	M6 X 25
3	M124985	STRAP	1	LIFT (ENGINE MARKED CV15S-41610)
3	M147224	STRAP	1	LIFT (ENGINE MARKED CV15S-41618)
4	AM132623	VALVE COVER	1	(SUB FOR M92209) (ENGINE MARKED CV15S-41610)
4	M149870	VALVE COVER	1	(SUB FOR M147216) (ENGINE MARKED CV15S-41618)
5	TY22462	CLAMP	2	(SUB FOR AR48236) HOSE
6	M92212	TUBE	1	BREATHER (ENGINE MARKED CV15S-41610)
6	MIU11457	TUBE	1	(SUB FOR M147215 OR MIU11340) BREATHER (ENGINE MARKED CV15S-41618)
7	MIU13278	VALVE LIFTER	2	SUB FOR M137271 or MIU11034 or MIU12989
8	M149342	PUSH ROD	2	(SUB FOR M149342)
9	M124986	ENGINE CYLINDER HEAD GASKET	1	
10	15H558	PIPE PLUG	1	1/8"
11	INTAKE VALVE	1	(A), STD
11	M92213	INTAKE VALVE	1	.25 MM (.010") OS
12	EXHAUST VALVE	1	(B), STD
12	M92214	EXHAUST VALVE	1	.25 MM (.010") OS
13	CYLINDER HEAD	1	
14	M120417	WASHER	1	
15	M120286	SPACER	1	(HEAD BOLT, EXHAUST PORT)
16	M149264	BOLT	5	(SUB FOR M92367) CYLINDER HEAD
17	M146624	SPRING	2	(A)
18	M92203	CAP	2	(A) (B)
19	AM107043	RETAINER	2	(A) (B)
20	M43123	RETAINER	1	(B)
21	19M8290	SCREW	2	M6 X 35
22	M131132	PIVOT	2	
23	M131133	ROCKER ARM	2	
24	AM125352	HEAD KIT	1	CYLINDER (INCLUDES GASKETS)
25	AM117016	BREATHER KIT	1	ORDER M153533,M92210 And M93483
26	M93483	SCREW	1	
27	M153533	RETAINER	1	
28	M92210	BEAM	1	
29	AM119712	INTAKE VALVE	1	ORDER AM107043 , M146624 , M92200 AND M92203

KEY	PART NO.	PART NAME	QTY	REMARKS	
30	AM119711	EXHAUST VALVE	1	(INCLUDES PARTS MARKED (B));Not Illustrated	



MP20386

KEY	PART NO.	PART NAME	QTY	Serial No.	REMARKS
1	CYLINDER BLOCK	1		
2	M92074	SEAL	2		CRANKSHAFT
3	M92069	STRAP	1		
4	19M7867	SCREW	1		M8 X 25
5	MIU11251	DOWEL PIN	4		(SUB FOR M144516) LOCATING
6	AM123079	CAMSHAFT	1		
7	MIU10690	SPRING	1		(SUB FOR M133017) ACTUATING
8	M93955	SHIM	AR		.73 MM (.029"), (WHITE)
8	M97015	SHIM	AR		.75 MM (.030"), (BLUE)
8	M118585	SHIM	AR		.81 MM (.032"), (RED)
8	M96817	SHIM	AR		.86 MM (.034"), (YELLOW)
8	M96818	SHIM	AR		.91 MM (.036"), (GREEN)
8	M96819	SHIM	AR		.96 MM (.038"), (GRAY)
8	M118584	SHIM	AR		1.02 MM (.040"), (BLACK)
9	M126874	BALANCER SHAFT	1		
10	AM122461	PISTON REPLACEMENT KIT	1		STD
10	AM122463	PISTON REPLACEMENT KIT	1		.50 MM (.020") OS
11	M92077	RETAINER	2		PISTON PIN
12	AM122468	PISTON RING KIT	1		STD
12	AM122470	PISTON RING KIT	1		.50 MM (.020") OS
13	M92075	CONNECTING ROD	1		STD
13	M92076	CONNECTING ROD	1		.25 MM (.010") US
14	M92083	PIN	1		
15	M92082	GEAR	1		
16	M93418	WASHER	1		
17	M92081	SHAFT	1		
18	M76215	PLUG	1		
19	AM117019	KIT	1		NLA; GOVERNOR
20	M96520	WASHER	1		
21	M92079	SEAL	1		
22	M93419	WASHER	1		(SUB FOR M146622)
23	M126396	QUICK LOCK PIN	1		
24	SHAFT	1		
25	AM123070	KIT	1		GOVERNOR SHAFT
26	M147170	PLUG	1		

KEY	PART NO.	PART NAME	QTY	Serial No.	REMARKS
27	AM128237	CRANKSHAFT	1		
..	AM131973	GASOLINE ENGINE	1	____-035000	(SUB AM125360) (MARKED CV15S-41610)
..	AM133144	GASOLINE ENGINE	1	035001-____	(SUB AM125360) (MARKED CV15S-41618)
..	AM125360	SHORT BLOCK ASSEMBLY	1		

Thank you so much for reading.
Please click the “Buy Now!”
button below to download the
complete manual.



After you pay.

You can download the most
perfect and complete manual in
the world immediately.

Our support email:

ebooklibonline@outlook.com