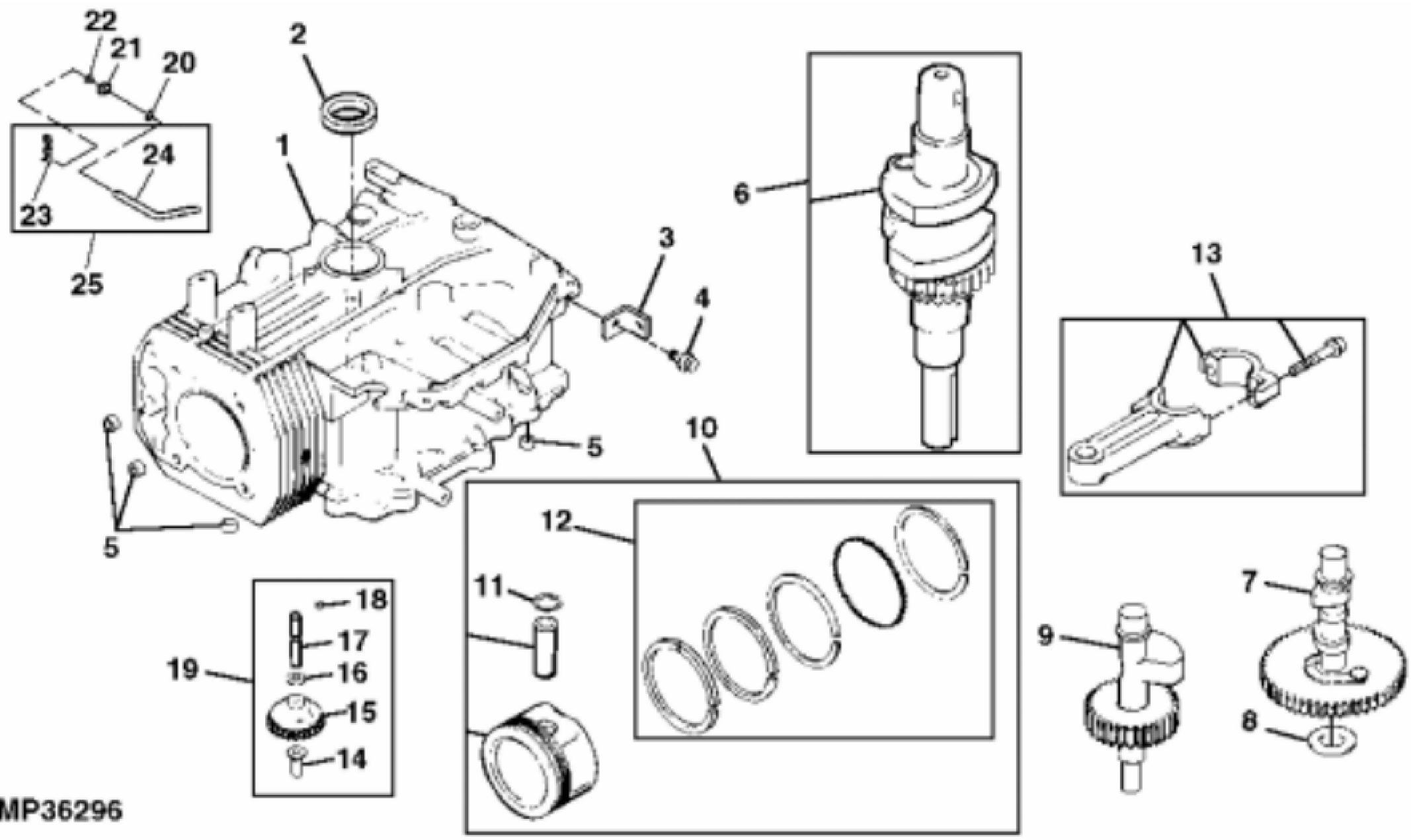


MP25721

KEY	PART NO.	PART NAME	QTY	REMARKS
1	37M7091	SCREW	1	M6 X 25
2	AM129698	JUMPER	1	
3	M124985	STRAP	1	LIFT (ENGINE MARKED CV460S-26513)
4	AM132623	VALVE COVER	1	(ENGINE MARKED CV460S-26513) (SUB FOR M92209)
4	M149870	VALVE COVER	1	(ENGINE MARKED CV460S-26516) (SUB FOR M147216)
5	TY22462	CLAMP	2	(SUB FOR AR48236)
6	M92212	HOSE	1	BREATHER (ENGINE MARKED CV460S-26513)
6	MIU11340	HOSE	1	BREATHER (ENGINE MARKED CV460S-26516) (SUB FOR M147215)
7	MIU13278	VALVE LIFTER	2	SUB FOR M137271 or MIU11034 or MIU12989
8	M146623	PUSH ROD	2	
9	M92198	ENGINE CYLINDER HEAD GASKET	1	(ENGINE MARKED CV460S-26513)
9	M124986	ENGINE CYLINDER HEAD GASKET	1	(ENGINE MARKED CV460S-26516)
10	15H558	PIPE PLUG	1	1/8"
11	.....	INTAKE VALVE	1	STD, (ORDER AM117021)
11	M92213	INTAKE VALVE	1	.25 MM (.010") OS
12	.....	EXHAUST VALVE	1	STD, (ORDER AM117033)
12	M92214	EXHAUST VALVE	1	.25 MM (.010") OS
13	AM132198	CYLINDER HEAD	1	
14	M120417	WASHER	1	
15	M120286	SPACER	1	(HEAD BOLT, EXHAUST PORT)
16	M149264	BOLT	5	CYLINDER HEAD, (SUB FOR M92367)
17	M146624	SPRING	1	EXHAUST VALVE
18	M92203	CAP	2	
19	AM107043	RETAINER	2	
20	M146624	SPRING	1	INTAKE VALVE
21	19M8290	SCREW	2	M6 X 35
22	M131132	PIVOT	2	
23	M131133	ROCKER ARM	2	
24	AM132197	KIT	1	CYLINDER HEAD
25	37M7131	SCREW	5	M6 X 20
26	AM117016	BREATHER KIT	1	BREATHER;ORDER M153533,M92210 And M93483
27	M92210	BEAM	1	
28	M153533	RETAINER	1	
29	M93483	SCREW	1	

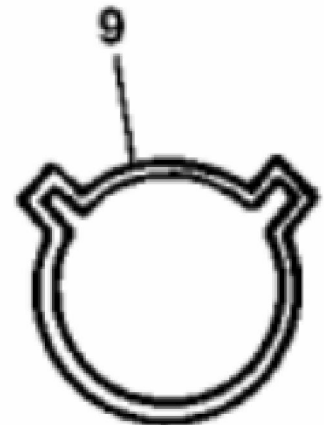
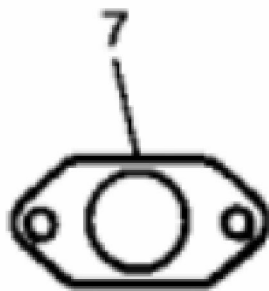
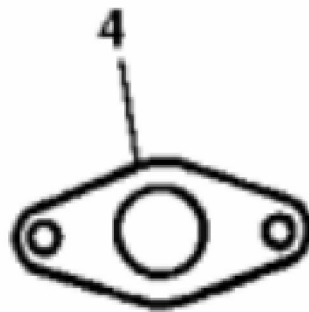
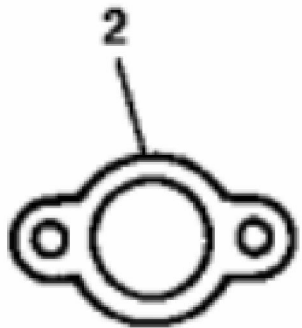


MP36296

KEY	PART NO.	PART NAME	QTY	Serial No.	REMARKS
1	.....	CYLINDER BLOCK	1		(ORDER AM132201)
2	M92074	SEAL	2		CRANKSHAFT
3	M92069	STRAP	1		
4	19M7867	SCREW	4		M8 X 25
5	MIU11251	DOWEL PIN	4		LOCATING, (SUB FOR M144516)
6	AM131947	CRANKSHAFT	1		
7	AM132196	CAMSHAFT	1		
8	M93955	SOLID SHIM	AR		.73 MM (.029"), (WHITE)
8	M97015	SOLID SHIM	AR		.75 MM (.030"), (BLUE)
8	M118585	SHIM	AR		.81 MM (.032"), (RED)
8	M96817	SOLID SHIM	AR		.86 MM (.034"), (YELLOW)
8	M96818	SOLID SHIM	AR		.91 MM (.036"), (GREEN)
8	M96819	SOLID SHIM	AR		.96 MM (.038"), (GRAY)
8	M118584	SHIM	AR		1.02 MM (.040"), (BLACK)
9	M146619	SHAFT	1		
10	AM107033	PISTON REPLACEMENT KIT	1		STD
10	AM107035	PISTON REPLACEMENT KIT	1		.50 MM (.020") OS
11	M92077	RETAINER	2		PISTON PIN
12	AM107036	PISTON RING KIT	1		STD
12	AM107038	PISTON RING KIT	1		.50 MM (.020") OS
13	M146620	CONNECTING ROD	1		STD
13	M146621	CONNECTING ROD	1		.25 MM (.010") US
14	M92083	PIN	1		
15	M92082	GEAR	1		
16	M93419	WASHER	1		GOVERNOR THRUST (CV460S-26513) (SUB FOR M146622)
16	M93418	WASHER	1		GOVERNOR THRUST (CV460S-26516) (SUB FOR M149263)
17	M92081	SHAFT	1		
18	M76215	PLUG	1		
19	AM117019	KIT	1		NLA; GOVERNOR
20	M96520	WASHER	1		
21	M92079	SEAL	1		
22	M93419	WASHER	1		(SUB FOR M146622)
23	M126396	QUICK LOCK PIN	1		

KEY	PART NO.	PART NAME	QTY	Serial No.	REMARKS
24	.....	SHAFT	1		
25	AM123070	KIT	1		GOVERNOR SHAFT
..	AM131974	GASOLINE ENGINE	1	____-035000	(CV460S-26513)
..	AM133145	GASOLINE ENGINE	1	035001-____	(CV460S-26516) (SUB AM133163)
..	AM132201	SHORT BLOCK ASSEMBLY	1	____-035000	(CV460S-26513) (SUB AM133163)
..	AM133163	SHORT BLOCK ASSEMBLY	1	035001-____	(CV460S-26516)

1



MP24738

Thank you so much for reading.  
Please click the “Buy Now!”  
button below to download the  
complete manual.



After you pay.

You can download the most  
perfect and complete manual in  
the world immediately.

Our support email:

[ebooklibonline@outlook.com](mailto:ebooklibonline@outlook.com)