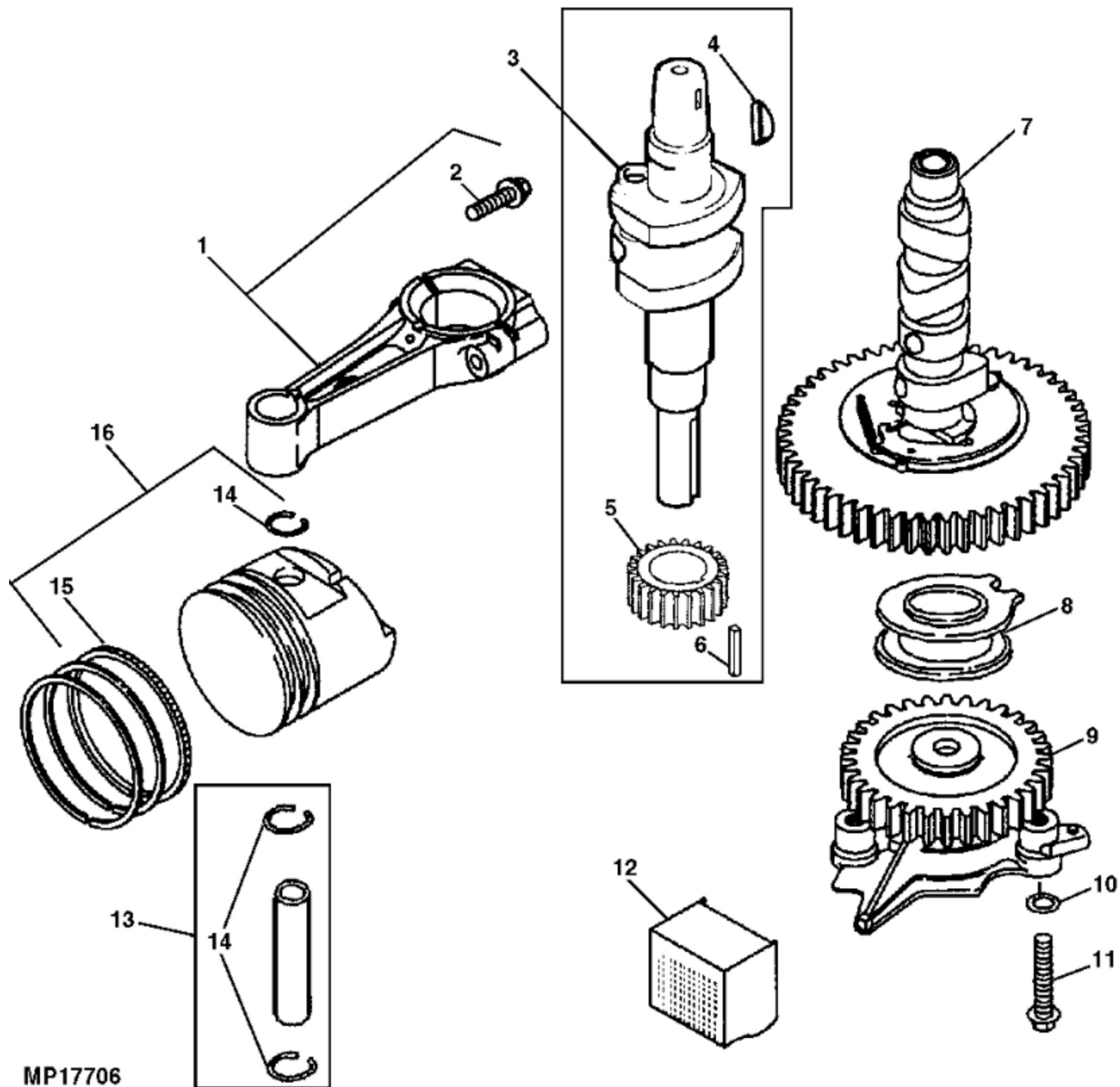




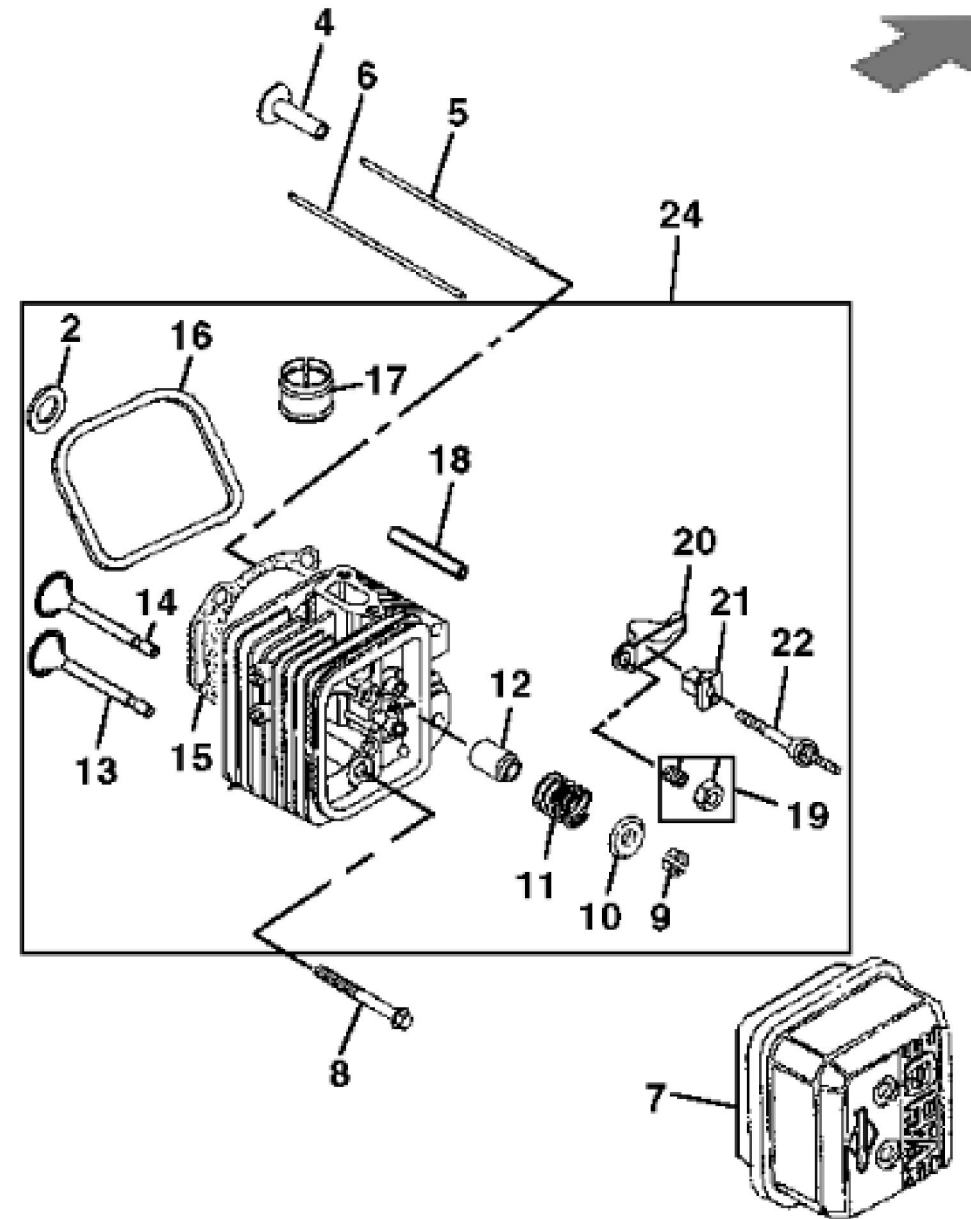
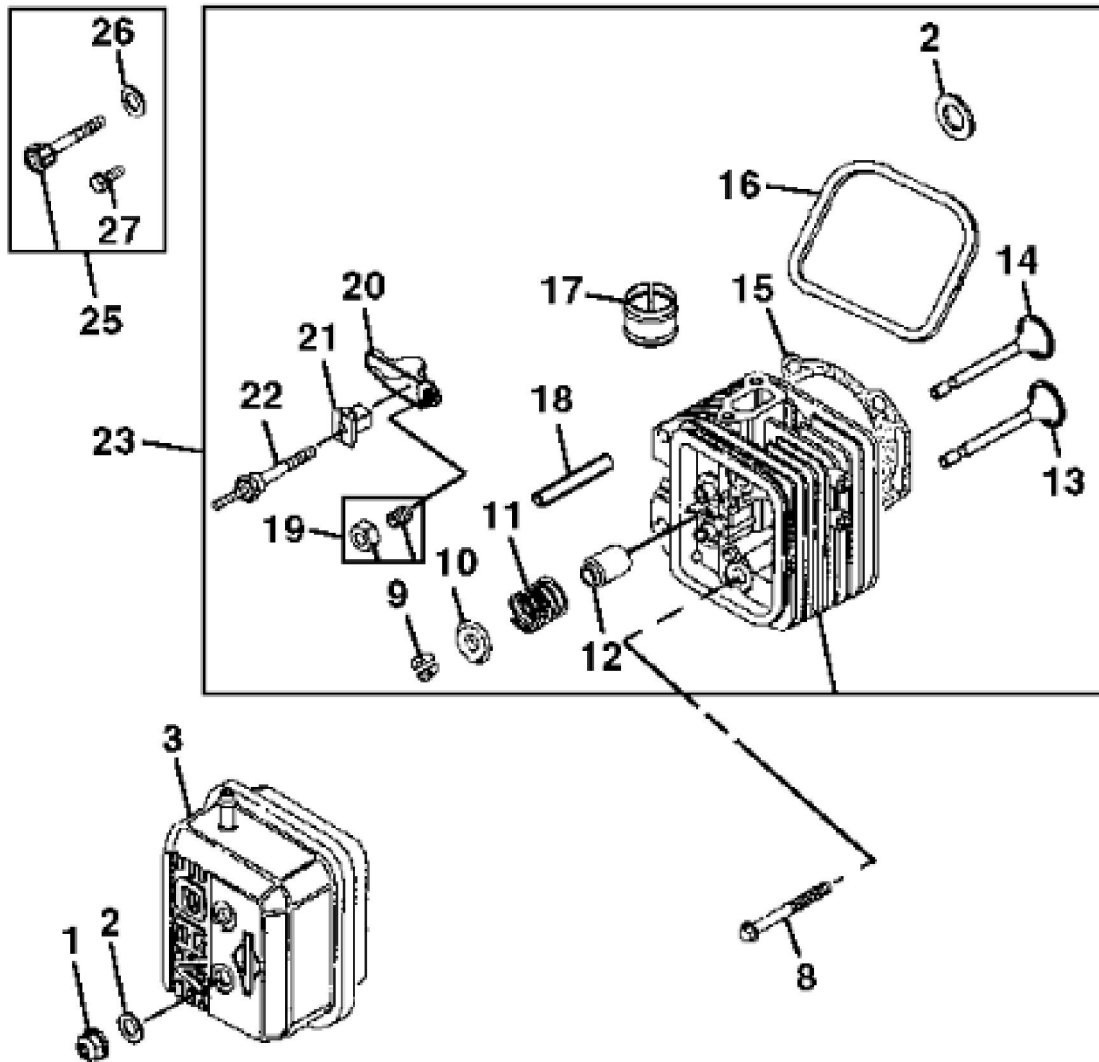
KEY	PART NO.	PART NAME	QTY	REMARKS
1	LG692543	CYLINDER BLOCK	1	NLA
2	LG808534	BUSHING	1	
3	LG805101S	SEAL	1	
4	M145399	DOWEL PIN	1	
5	15H638	PIPE PLUG	1	1/8", OIL DRAIN
6	19M7897	SCREW	4	M8 X 35, (ENGINE MOUNTING)
7	AM125424	OIL FILTER	1	
8	LG808235	ADAPTER FITTING	1	(INCLUDES GASKET)
9	LG690706	LOCK WASHER	2	
10	LG690682	STUD	1	
11	LG690679	CAP SCREW	1	
12	LG692063	GASKET	1	
13	M146343	GASKET	1	BREATHER
14	AM131315	BREATHER	1	(SUB FOR M143320)
15	LG690751	SCREW	1	
16	MIU11524	SCREW	9	(NLA) (SUB FOR LG692540) (ORDER 19M7269)
17	LG806083S	TUBE	1	BREATHER
18	LG690686	PLATE	1	BREATHER
19	LG691550	RETAINER	1	
20	LG690680	SEAL	1	(A)
21	LG690701	BUSHING	1	(A)
22	M144914	BUSHING	1	(A)
23	AM131177	CRANK	1	(A), GOVERNOR
24	LG805049S	SEAL	2	(A)
25	LG690704	WASHER	1	(A)
26	MIU12287	GASKET	1	NLA; ORDER MIN11265; (A); SUB FOR LG691684; Crankcase
26	MIU11265	GASKET	1	NLA; ORDER MIU13345
26	MIU13345	GASKET	1	NLA; ORDER MIU14235
26	MIU14235	GASKET	1	
27	LG692154	SEAL	1	(A)
28	MIA11613	CRANKCASE	1	ENGINE SUMP (INCLUDES PARTS MARKED (A)) (SUB FOR AM131176)
29	LG692053	SEAL	1	
30	LG691870	SEAL	1	
31	LG692093	TUBE	1	OIL FILL

KEY	PART NO.	PART NAME	QTY	REMARKS	
32	M147829	SCREW	2	(SUB FOR LG692537)	
33	LG692101	DIPSTICK	1		
34	AM131611	KIT	1	OIL DRAIN	
35	.....	TUBE	1		
36	T77932	O-RING	1		
37	M144897	CAP	1		
38	14M7298	FLANGE NUT	4	M8	
39	M145919	TRAY	1	OIL DRIP	
..	LG808036	LABEL KIT	1	NLA	
..	AM130705	ENGINE	1	(NLA)	



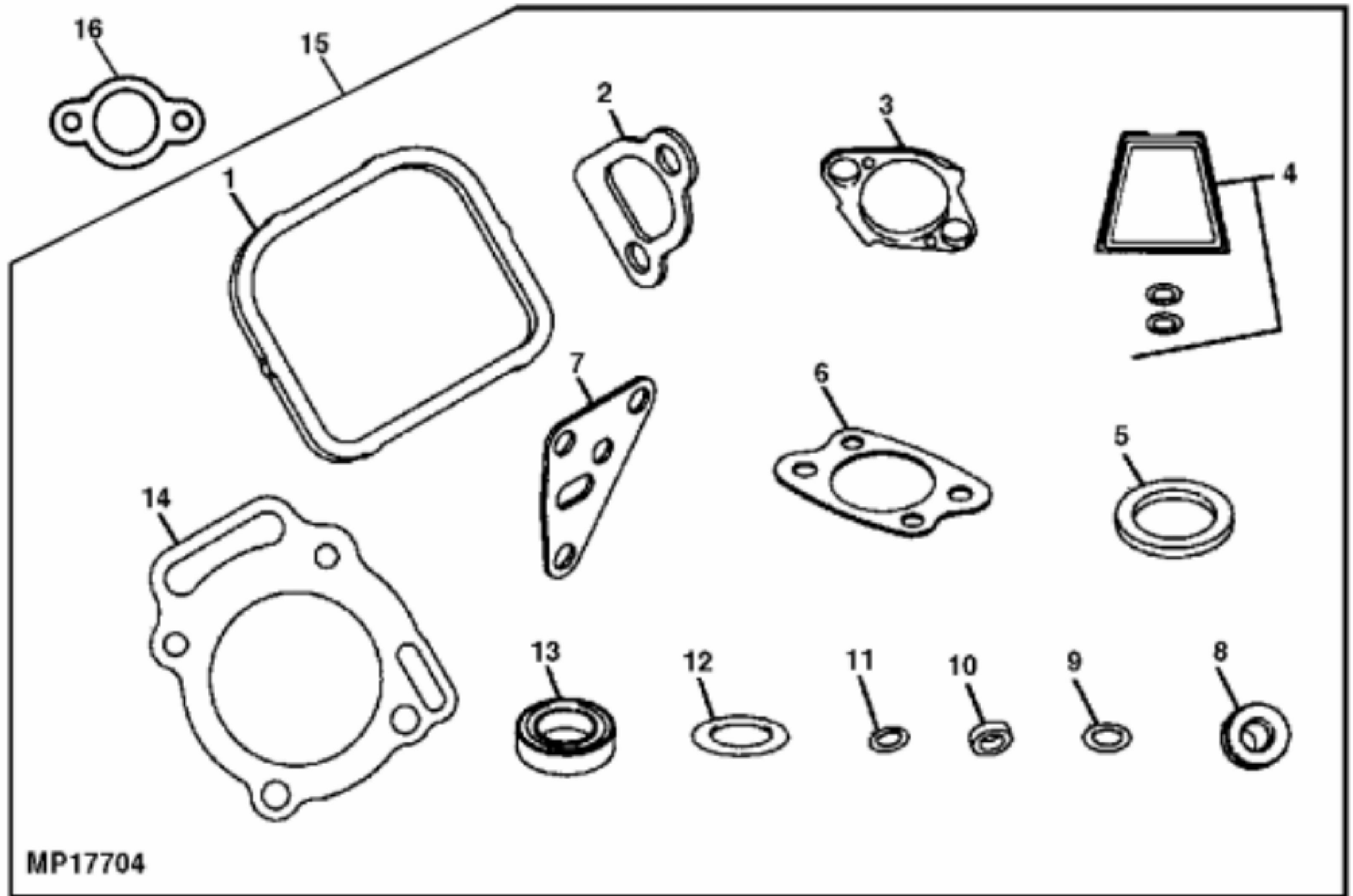
MP17706

KEY	PART NO.	PART NAME	QTY	REMARKS
1	LG807900S	CONNECTING ROD	2	(STD)
1	LG807803	CONNECTING ROD	1	.50MM (.020") US, (NLA)
2	LG690698	SCREW	2	
3	LG692159	CRANKSHAFT	1	NLA
4	M145150	SHAFT KEY	1	
5	LG691530	GEAR	1	TIMING
6	LG691639	SHAFT KEY	1	
7	LG691557	GEAR	1	CAM
8	LG690689	SPOOL	1	GOVERNOR
9	LG693186	OIL PUMP	1	(ORDER MIA11613)
9	MIA11613	RESERVOIR	1	ENGINE BASE SUMP (NOT SHOWN)
10	LG690681	SEAL	2	
11	LG691492	CAP SCREW	2	
12	LG690878	SCREEN	1	OIL PUMP
13	LG807621	PISTON PIN	2	
14	LG690975	LOCK	2	(SUB FOR LG690683)
15	MIU12297	RING	2	(STD) (SUB FOR LG807620)
15	LG807810	PISTON RING KIT	1	.50MM (.020") OS, NLA; ORDER MIA12641
16	MIA11530	PISTON	2	(STD) (SUB FOR LG807619 AND LG807620)
16	LG807809	PISTON	1	.50 MM (.020") OS, NLA; ORDER MIA12641
16	MIA12641	PISTON KIT	1	



MP29752

KEY	PART NO.	PART NAME	QTY	REMARKS
1	LG692055	LOCK NUT	4	
2	LG691766	WASHER	4	
3	LG691558	COVER	1	LH
4	LG690977	TAPPET	4	
5	LG691836	PUSH ROD	2	INTAKE (STEEL)
6	LG691758	PUSH ROD	2	EXHAUST (ALUMINUM)
7	LG691494	COVER	1	RH
8	LG692059	CAP SCREW	4	
9	LG807683	RETAINER	2	
10	LG692058	RETAINER	2	
11	LG692084	SPRING	2	
12	LG691963	SEAL	2	
13	LG807681	EXHAUST VALVE	1	(INCLUDES LG807683)
14	LG807680	INTAKE VALVE	1	(INCLUDES LG807683)
15	LG806085S	ENGINE CYLINDER HEAD GASKET	1	
16	LG806039S	GASKET	1	ROCKER COVER
17	LG691493	SLEEVE	1	PORT LINING
18	LG692057	BUSHING	2	GUIDE
19	LG807623	ADJUSTER	2	(W/NUT)
20	M152423	ROCKER ARM	2	
21	MIU11035	ROCKER ARM	2	PIVOT, (SUB FOR LG690973)
22	LG691544	STUD	2	(SUB AM132460)
23	AM133868	CYLINDER HEAD	1	LH (CYLINDER NO. 1) (SUB FOR LG808381)
24	AM133869	CYLINDER HEAD	1	RH (CYLINDER NO. 2) (SUB FOR LG808382)
25	AM132460	STUD	4	(INCLUDES PARTS MARKED (A)) (SUB FOR LG691544)
26	M147828	WASHER	1	(A), SEALING
27	M147829	SCREW	1	(A)



MP17704

Thank you so much for reading.  
Please click the “Buy Now!”  
button below to download the  
complete manual.



After you pay.

You can download the most  
perfect and complete manual in  
the world immediately.

Our support email:

[ebooklibonline@outlook.com](mailto:ebooklibonline@outlook.com)